








Snap-in Type

List of Varieties

Series		SKHL	SKHH	SKHW	SKQJ	SKQB	SKQE	SKHC	
Photo									
Operation feeling		Sharp feeling							
Water-proof		—	—	—	—	●	—	—	
Dust-proof		—	—	●	●	●	●	—	
Operating direction	Top push	●	●	●	●	●	●	●	
	Side push	●	●	—	●	●	—	—	
Ground terminal		—	○	—	—	—	—	—	
Dimensions (mm)		6.0×3.5×4.3 6.0×3.5×5.0 7.3×7.22×4.3	6.0×6.0×4.3 6.0×6.0×5.0 6.0×6.0×7.0 6.0×6.0×7.3 6.0×6.0×9.5 6.0×6.0×13.0 6.0×6.0×17.0 7.5×7.85×7.0 7.5×7.85×7.1 7.5×9.85×7.1 7.5×12.35×7.1 7.5×19.85×7.1	6.0×6.0×4.3 6.0×6.0×5.0	6.6×6.6×5.0 6.6×6.6×7.0 6.6×6.6×9.5 7.5×7.85×7.0	10.0×10.0×5.0 10.0×10.0×13.0 10.0×10.0×23.2 11.5×11.9×11.0	12.0×12.0×4.3 12.0×12.0×7.3		
Operating force (N)		0.98 1.57 2.55	0.98 1.57 1.96 2.55 3.53 5.10	1.57 2.55	0.98 1.57	1.57 2.55		0.74 1.27 2.55	
Travel (mm)		0.25		0.3	0.25	0.3			
Operating temperature range		-20°C to +70°C -40°C to +90°C	-40°C to +90°C		-20°C to +70°C	-40°C to +90°C		-40°C to +85°C	
Electrical performance	Rating (max.)	50mA 12V DC							
	Rating (min.)	10μA 1V DC							
	Insulation resistance	100MΩ min. 100V DC for 1 min.							
	Voltage proof	250V AC for 1 min.							
Environmental performance	Cold	-30°C 96h -40°C 96h	-40°C 96h		-30°C 96h	-40°C 96h			
	Dry heat	80°C 96h 90°C 96h	90°C 96h		80°C 96h	90°C 96h			
	Damp heat	60°C, 90 to 95%RH 96h				60°C, 90 to 95%RH 1,000h	60°C, 90 to 95%RH 96h		
Automotive		●	○	—	—	●	—	—	

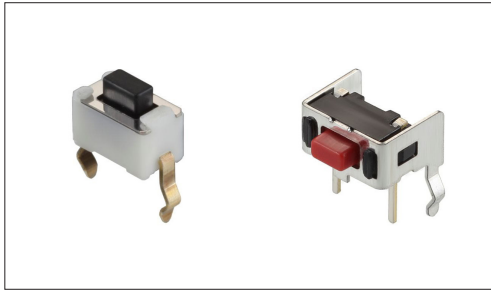
⚠ Note

● Indicates applicability to all products in the series, while ○ indicates applicability to some products in the series.

TACT Switch™ Snap-in Type

6.0×3.5mm (Snap-in) SKHL Series

Contributes to high-density mounting with top-push and side-push configurations.



 Automotive

- Series type: Sharp feeling type
- Rating (max.): 50mA 12V DC
- Rating (min.): 10μA 1V DC

Applications: Energy_Industrial: Industrial equipment
 Healthcare: Healthcare equipment, Analysis, test equipment
 Home: Office equipment
 Audio_TV: Visual, Audio, Pro audio
 Automotive: Navigation/audio systems, HVAC

■ Product List

Products No.	Type	Operating direction	Operating force (N)	Travel (mm)	Operating life (cycles)	Initial contact resistance	Dimensions (W×D×H) (mm)	Water-proof	Dust-proof	Automotive	Drawing No.
SKHLAAA010	Top push type	Top push	0.98	0.25	50,000	500mΩ max.	6.0×3.5×4.3	—	—	●	1
SKHLACA010		Top push	1.57	0.25	50,000	500mΩ max.	6.0×3.5×4.3	—	—	●	
SKHLAJA010		Top push	2.55	0.25	30,000	500mΩ max.	6.0×3.5×4.3	—	—	●	
SKHLABA010		Top push	0.98	0.25	50,000	500mΩ max.	6.0×3.5×5.0	—	—	●	2
SKHLADA010		Top push	1.57	0.25	50,000	500mΩ max.	6.0×3.5×5.0	—	—	●	
SKHLAKA010		Top push	2.55	0.25	30,000	500mΩ max.	6.0×3.5×5.0	—	—	●	
SKHLLAA010	Side push type	Side push	0.98	0.25	50,000	500mΩ max.	7.3×7.22×4.3	—	—	●	3
SKHLLBA010		Side push	1.57	0.25	50,000	500mΩ max.	7.3×7.22×4.3	—	—	●	
SKHLLFA010		Side push	2.55	0.25	30,000	500mΩ max.	7.3×7.22×4.3	—	—	●	
SKHLLCA010		Side push	0.98	0.25	50,000	500mΩ max.	7.3×7.22×4.3	—	—	●	4
SKHLLDA010		Side push	1.57	0.25	50,000	500mΩ max.	7.3×7.22×4.3	—	—	●	

Note

1. This catalog shows only outline specifications. When using the products, please obtain formal specifications for supply.
2. Please place purchase orders per minimum order unit (integer).

■ Packing Specifications

Bulk

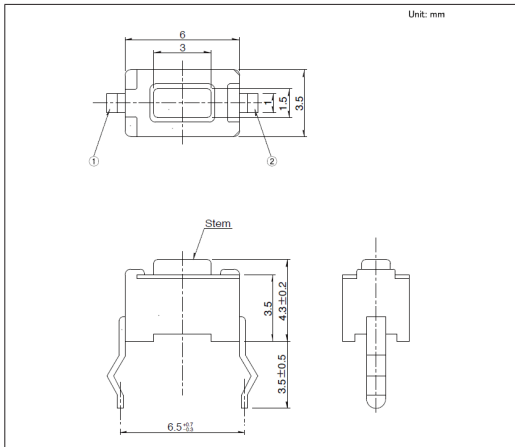
Number of packages (pcs.)		Export package measurements (mm)
1 case / Japan	1 case / export packing	
10,000	30,000	309×476×347

TACT Switch™ Snap-in Type

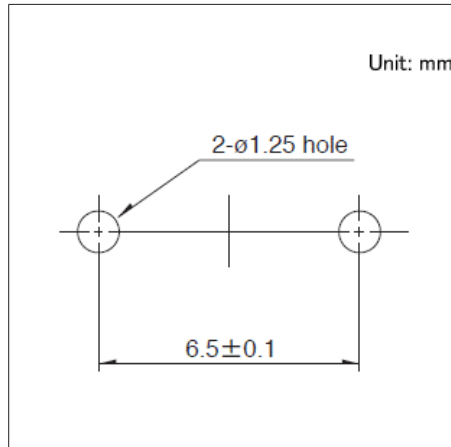
6.0×3.5mm (Snap-in)
SKHL Series

Drawing No.1

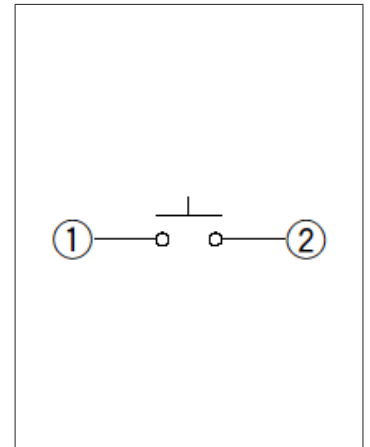
■ Dimensions



■ Mounting Hole Dimensions



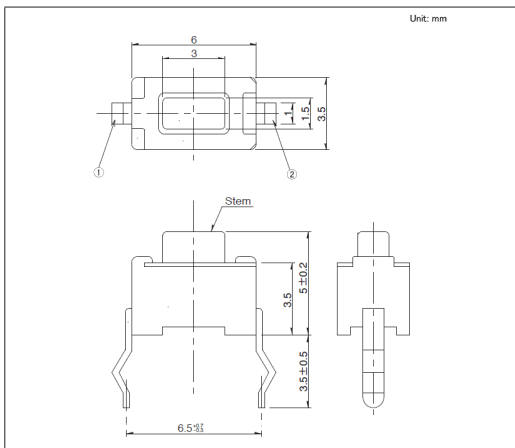
■ Circuit Diagram



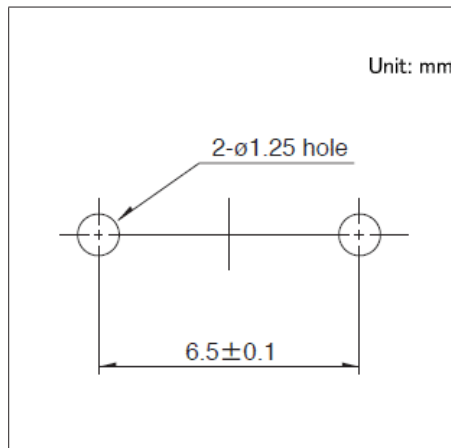
Viewed from mounting face.

Drawing No.2

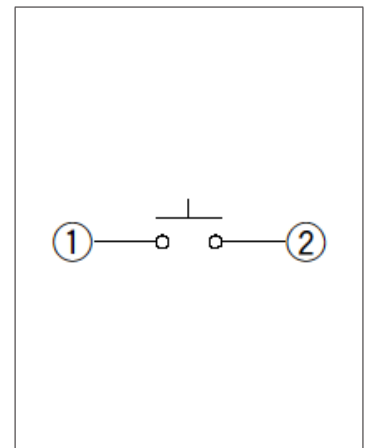
■ Dimensions



■ Mounting Hole Dimensions



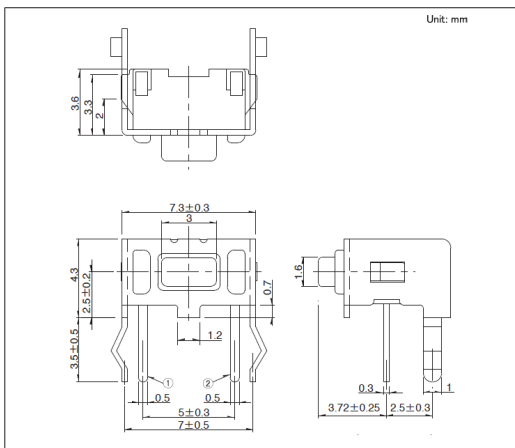
■ Circuit Diagram



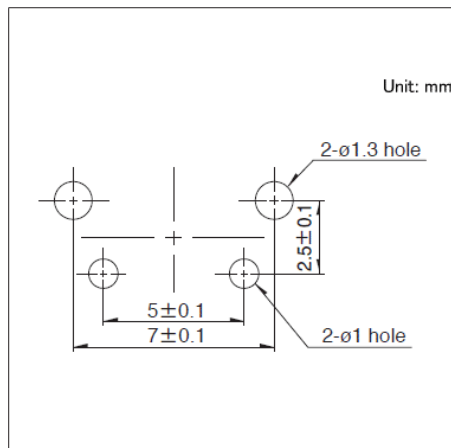
Viewed from mounting face.

Drawing No.3

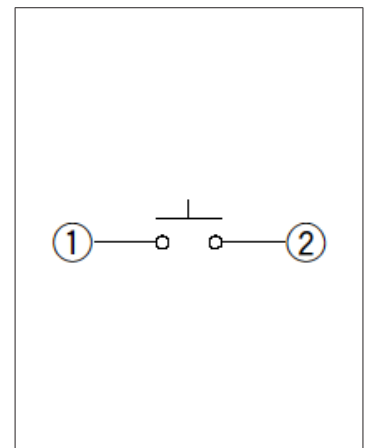
■ Dimensions



■ Mounting Hole Dimensions



■ Circuit Diagram



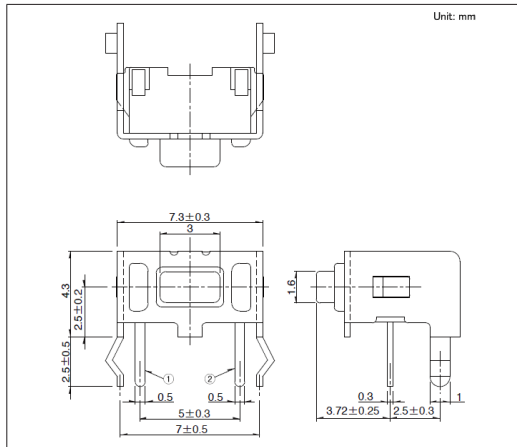
Viewed from mounting face.

TACT Switch™ Snap-in Type

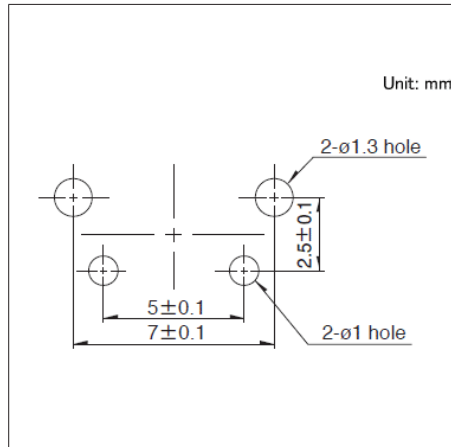
6.0×3.5mm (Snap-in)
SKHL Series

Drawing No.4

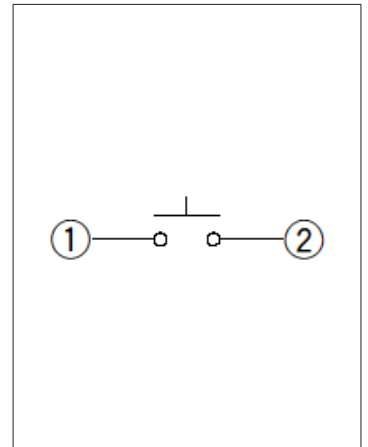
■ Dimensions



■ Mounting Hole Dimensions



■ Circuit Diagram



Viewed from mounting face.

TACT Switch™ Snap-in Type

6.0mm Square (Snap-in) SKHH Series

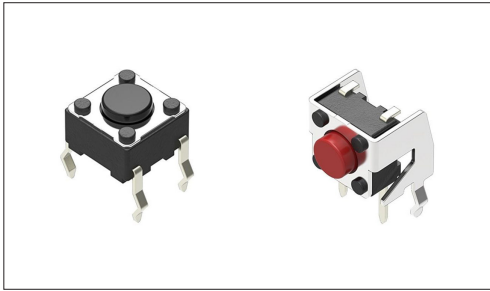
Renowned for ease of use and wide product variety in a 6.0mm square type.

 Automotive

※Please check the product list for compatible products

- Series type: Sharp feeling type
- Rating (max.): 50mA 12V DC
- Rating (min.): 10μA 1V DC

Applications: Energy_Industrial: Industrial equipment
 Healthcare: Healthcare equipment, Analysis, test equipment
 Home: Office equipment
 Audio_TV: Visual, Audio, Pro audio
 Automotive: Navigation/audio systems, HVAC



■ Product List

Products No.	Type	Operating direction	Operating force (N)	Travel (mm)	Operating life (cycles)	Initial contact resistance	Dimensions (W×D×H) (mm)	Water-proof	Dust-proof	Automotive	Drawing No.
SKHHAJA010	Top push type	Top push	0.98	0.25	1,000,000	100mΩ max.	6.0×6.0×4.3	—	—	●	1
SKHHALA010		Top push	1.57	0.25	500,000	100mΩ max.	6.0×6.0×4.3	—	—	●	
SKHHAQA010		Top push	2.55	0.25	200,000	100mΩ max.	6.0×6.0×4.3	—	—	●	
SKHHAKA010		Top push	0.98	0.25	1,000,000	100mΩ max.	6.0×6.0×5.0	—	—	●	2
SKHHAMA010		Top push	1.57	0.25	500,000	100mΩ max.	6.0×6.0×5.0	—	—	●	
SKHHARA010		Top push	2.55	0.25	200,000	100mΩ max.	6.0×6.0×5.0	—	—	●	
SKHHCQA010		Top push	3.53	0.25	200,000	100mΩ max.	6.0×6.0×5.0	—	—	●	
SKHHCRA010		Top push	5.10	0.25	200,000	100mΩ max.	6.0×6.0×5.0	—	—	●	
SKHHBVA010		Top push	0.98	0.25	1,000,000	100mΩ max.	6.0×6.0×7.0	—	—	●	3
SKHHBWA010		Top push	1.57	0.25	500,000	100mΩ max.	6.0×6.0×7.0	—	—	●	
SKHHBYA010		Top push	2.55	0.25	200,000	100mΩ max.	6.0×6.0×7.0	—	—	●	
SKHHANA010		Top push	0.98	0.25	1,000,000	100mΩ max.	6.0×6.0×9.5	—	—	●	4
SKHHAPA010		Top push	1.57	0.25	500,000	100mΩ max.	6.0×6.0×9.5	—	—	●	
SKHHBSA010		Top push	2.55	0.25	200,000	100mΩ max.	6.0×6.0×9.5	—	—	●	
SKHHDTA010		Top push	0.98	0.25	1,000,000	100mΩ max.	6.0×6.0×13.0	—	—	●	5
SKHHDUA010		Top push	1.57	0.25	500,000	100mΩ max.	6.0×6.0×13.0	—	—	●	
SKHHDHA010	Top push	0.98	0.25	500,000	100mΩ max.	6.0×6.0×17.0	—	—	●	6	
SKHHDJA010	Top push	1.57	0.25	300,000	100mΩ max.	6.0×6.0×17.0	—	—	●		
SKHHCWA010	Joint stem type	Top push	0.98	0.25	1,000,000	100mΩ max.	6.0×6.0×7.3	—	—	●	7
SKHHDAA010		Top push	1.57	0.25	500,000	100mΩ max.	6.0×6.0×7.3	—	—	●	
SKHHDGA010		Top push	2.55	0.25	200,000	100mΩ max.	6.0×6.0×7.3	—	—	●	

TACT Switch™ Snap-in Type

6.0mm Square (Snap-in)
SKHH Series

Products No.	Type	Operating direction	Operating force (N)	Travel (mm)	Operating life (cycles)	Initial contact resistance	Dimensions (W×D×H) (mm)	Water-proof	Dust-proof	Automotive	Drawing No.		
SKHHPJA010	With ground terminal type	Top push	0.98	0.25	1,000,000	100mΩ max.	6.0×6.0×4.3	—	—	●	8		
SKHHPLA010		Top push	1.57	0.25	500,000	100mΩ max.	6.0×6.0×4.3	—	—	●			
SKHHPQA010		Top push	2.55	0.25	200,000	100mΩ max.	6.0×6.0×4.3	—	—	●			
SKHHPKA010		With ground terminal type	Top push	0.98	0.25	1,000,000	100mΩ max.	6.0×6.0×5.0	—	—	●	9	
SKHHPMA010			Top push	1.57	0.25	500,000	100mΩ max.	6.0×6.0×5.0	—	—	●		
SKHHPRA010			Top push	2.55	0.25	200,000	100mΩ max.	6.0×6.0×5.0	—	—	●		
SKHHQVA010			With ground terminal type	Top push	0.98	0.25	1,000,000	100mΩ max.	6.0×6.0×7.0	—	—	●	10
SKHHQWA010				Top push	1.57	0.25	500,000	100mΩ max.	6.0×6.0×7.0	—	—	●	
SKHHQYA010				Top push	2.55	0.25	200,000	100mΩ max.	6.0×6.0×7.0	—	—	●	
SKHHPNA010		With ground terminal type	Top push	0.98	0.25	1,000,000	100mΩ max.	6.0×6.0×9.5	—	—	●	11	
SKHHPPA010			Top push	1.57	0.25	500,000	100mΩ max.	6.0×6.0×9.5	—	—	●		
SKHHQNA010			Top push	2.55	0.25	200,000	100mΩ max.	6.0×6.0×9.5	—	—	●		
SKHHUFA010	Side push type	Side push	1.96	0.25	2,000,000	100mΩ max.	7.5×7.85×7.0	—	—	—	12		
SKHHLMA010		Side push	0.98	0.25	1,000,000	100mΩ max.	7.5×7.85×7.1	—	—	—	13		
SKHHLNA010		Side push	1.57	0.25	500,000	100mΩ max.	7.5×7.85×7.1	—	—	—			
SKHHLPA010		Side push	2.55	0.25	200,000	100mΩ max.	7.5×7.85×7.1	—	—	—			
SKHHLQA010		Side push type	Side push	0.98	0.25	1,000,000	100mΩ max.	7.5×12.35×7.1	—	—	—	14	
SKHHLRA010			Side push	1.57	0.25	500,000	100mΩ max.	7.5×12.35×7.1	—	—	—		
SKHHLSA010			Side push	2.55	0.25	200,000	100mΩ max.	7.5×12.35×7.1	—	—	—		
SKHHLUA010			Side push type	Side push	0.98	0.25	1,000,000	100mΩ max.	7.5×9.85×7.1	—	—	—	15
SKHHLVA010				Side push	1.57	0.25	500,000	100mΩ max.	7.5×9.85×7.1	—	—	—	
SKHHLWA010				Side push	2.55	0.25	200,000	100mΩ max.	7.5×9.85×7.1	—	—	—	
SKHHNHA010		Side push type	Side push	0.98	0.25	500,000	100mΩ max.	7.5×19.85×7.1	—	—	—	16	
SKHHNJA010			Side push	1.57	0.25	300,000	100mΩ max.	7.5×19.85×7.1	—	—	—		
SKHHNKA010			Side push	2.55	0.25	200,000	100mΩ max.	7.5×19.85×7.1	—	—	—		
SKHHNKA010			Side push	2.55	0.25	200,000	100mΩ max.	7.5×19.85×7.1	—	—	—		

 Note

1. This catalog shows only outline specifications. When using the products, please obtain formal specifications for supply.
2. Please use 1.6mm thick PC boards.
3. Please place purchase orders per minimum order unit (integer).

TACT Switch™ Snap-in Type

6.0mm Square (Snap-in)
SKHH Series

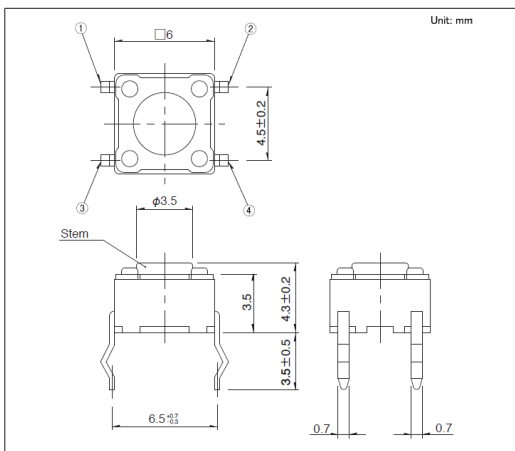
■ Packing Specifications

Bulk

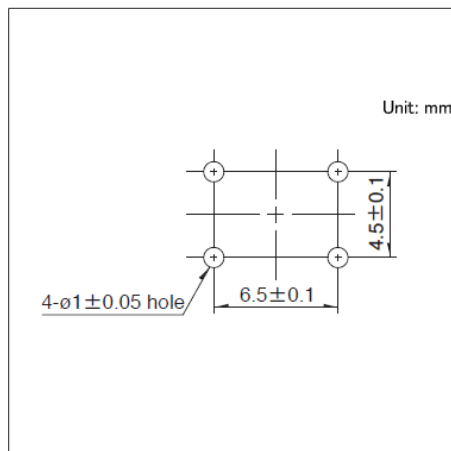
Products No.	Number of packages(pcs.)		Export package measurements (mm)
	1 case / Japan	1 case / export packing	
SKHHAJA010 SKHHALA010 SKHHQA010 SKHHAKA010 SKHHAMA010 SKHHARA010 SKHHCA010 SKHHCRA010 SKHHBVA010 SKHHBWA010 SKHHBYA010 SKHHANA010 SKHHAPA010 SKHHBSA010 SKHHCWA010 SKHHDA010 SKHHGA010 SKHHJA010 SKHHPLA010 SKHHQA010 SKHHKA010 SKHHMA010 SKHHRA010 SKHHQA010 SKHHQA010 SKHHQA010 SKHHNA010 SKHHPA010 SKHHQA010 SKHHQA010 SKHHMA010 SKHHLA010 SKHHLA010 SKHHLA010 SKHHLA010 SKHHLA010 SKHHLA010 SKHHLA010 SKHHLA010 SKHHLA010 SKHHUFA010	10,000	30,000	309 x 476 x 347
SKHHDTA010 SKHHDUA010 SKHHDHA010 SKHHDJA010 SKHHNHA010 SKHHNJA010 SKHHNKA010	5,000	15,000	309 x 476 x 347

Drawing No.1

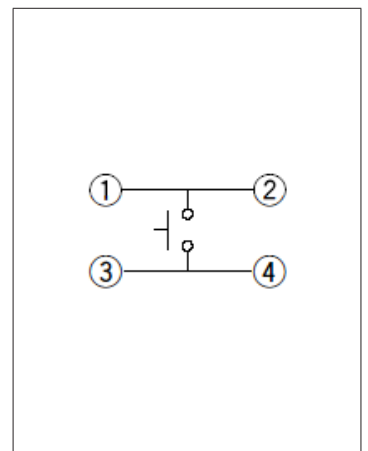
■ Dimensions



■ Mounting Hole Dimensions



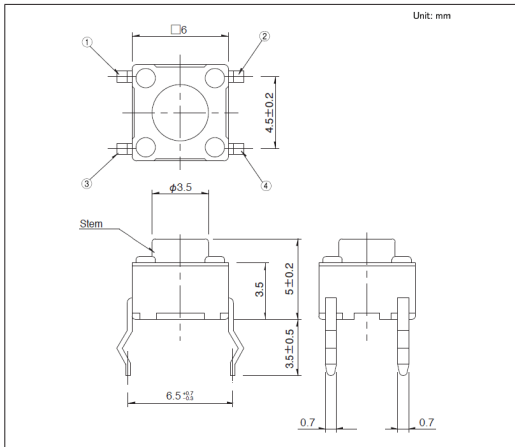
■ Circuit Diagram



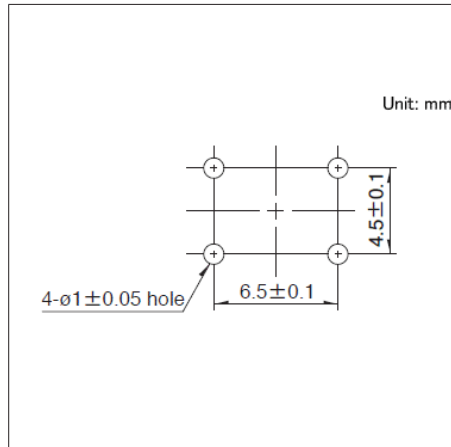
Viewed from mounting face.

Drawing No.2

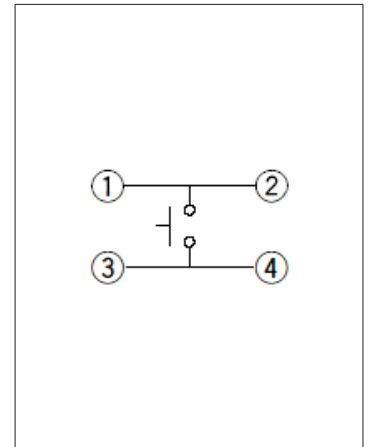
■ Dimensions



■ Mounting Hole Dimensions



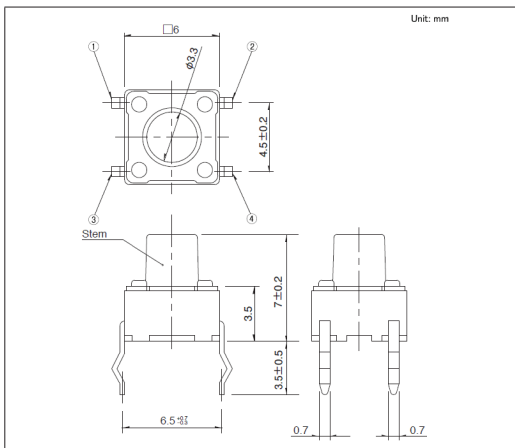
■ Circuit Diagram



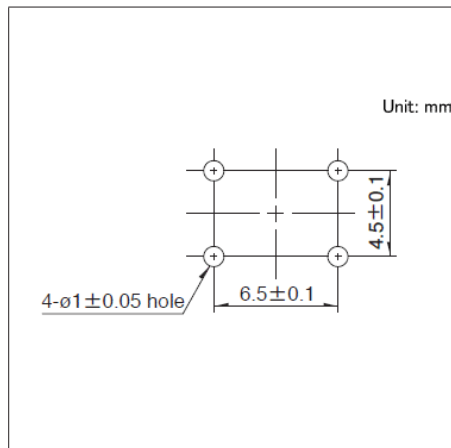
Viewed from mounting face.

Drawing No.3

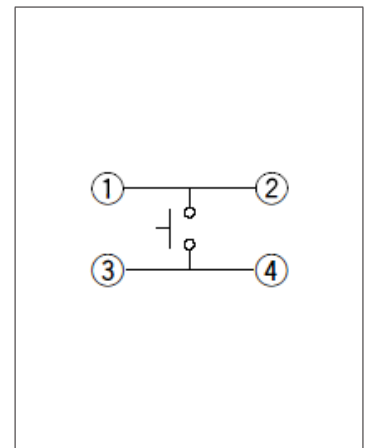
■ Dimensions



■ Mounting Hole Dimensions



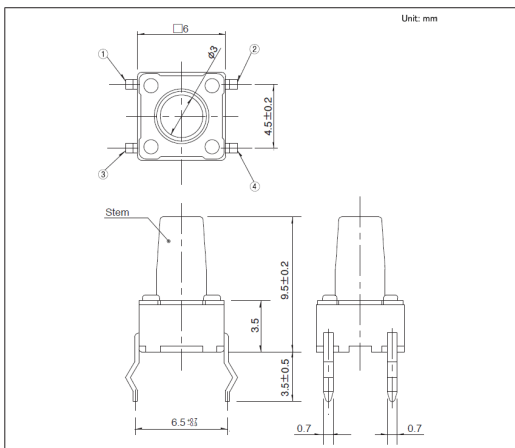
■ Circuit Diagram



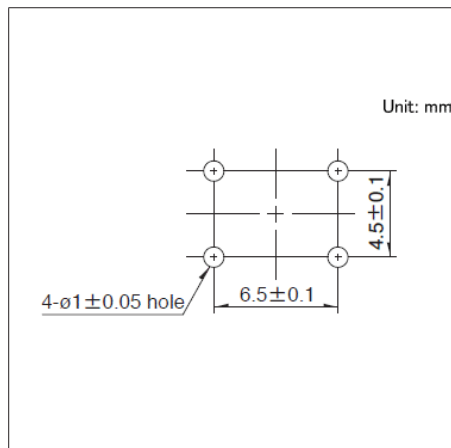
Viewed from mounting face.

Drawing No.4

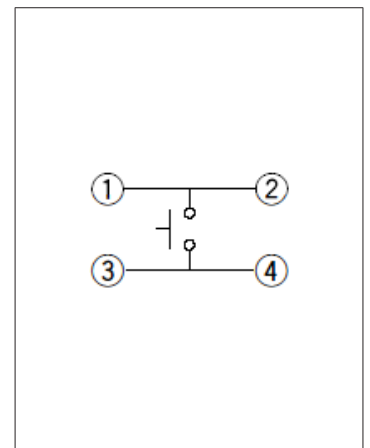
■ Dimensions



■ Mounting Hole Dimensions



■ Circuit Diagram



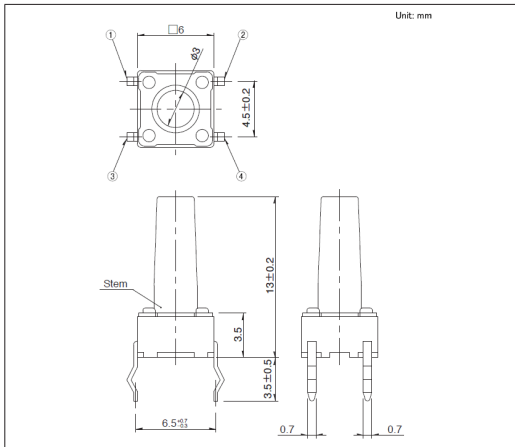
Viewed from mounting face.

TACT Switch™ Snap-in Type

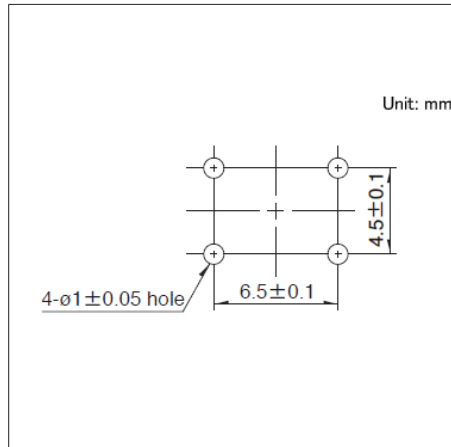
6.0mm Square (Snap-in)
SKHH Series

Drawing No.5

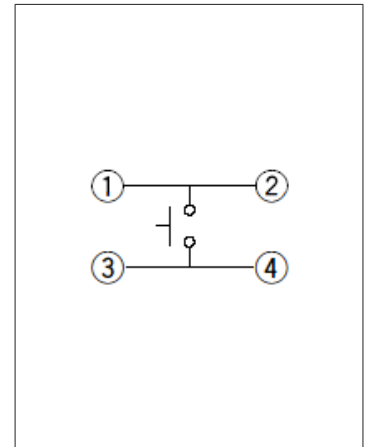
■ Dimensions



■ Mounting Hole Dimensions



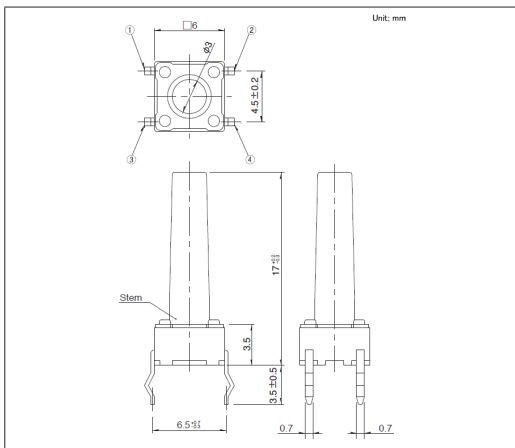
■ Circuit Diagram



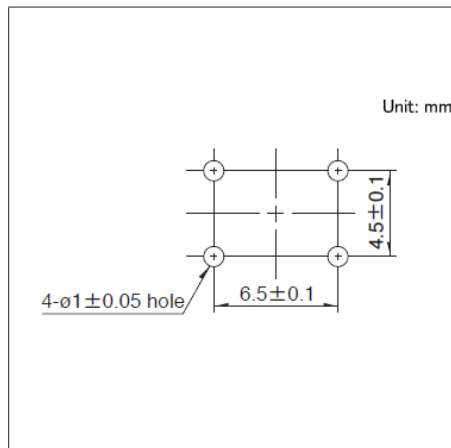
Viewed from mounting face.

Drawing No.6

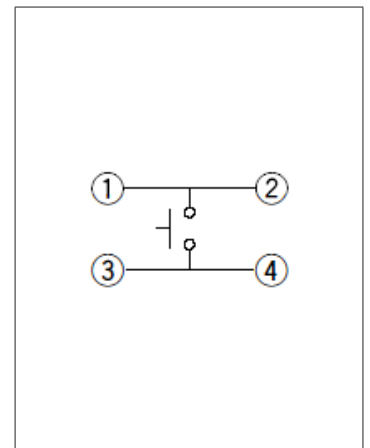
■ Dimensions



■ Mounting Hole Dimensions



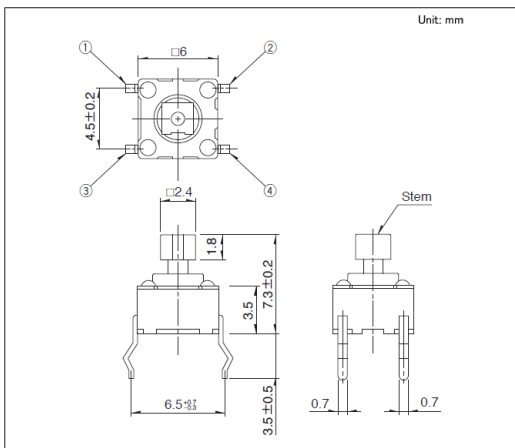
■ Circuit Diagram



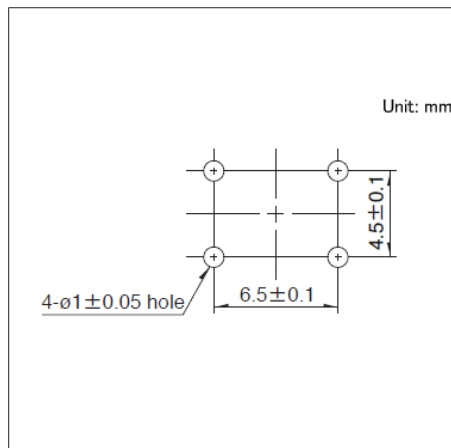
Viewed from mounting face.

Drawing No.7

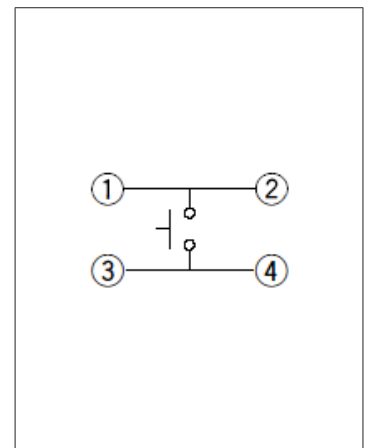
■ Dimensions



■ Mounting Hole Dimensions



■ Circuit Diagram



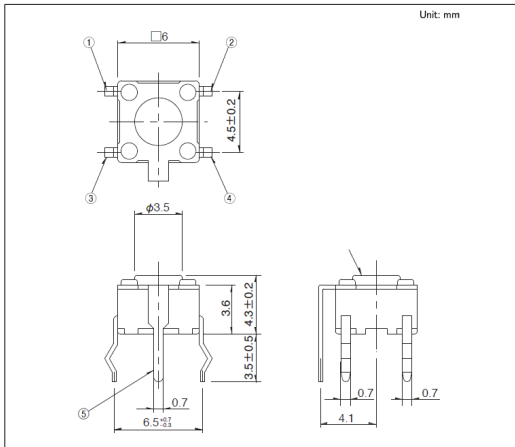
Viewed from mounting face.

TACT Switch™ Snap-in Type

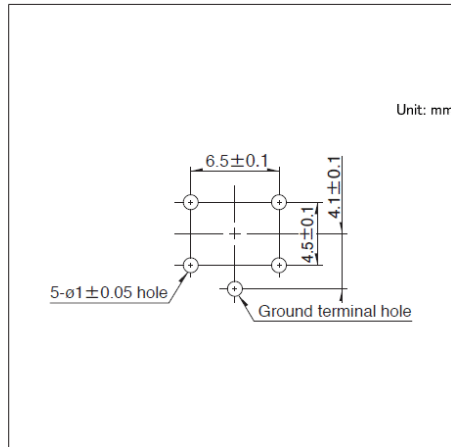
6.0mm Square (Snap-in)
SKHH Series

Drawing No.8

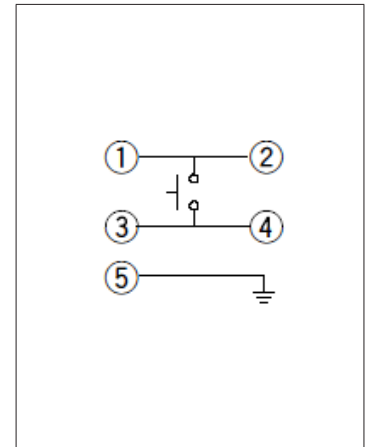
■ Dimensions



■ Mounting Hole Dimensions



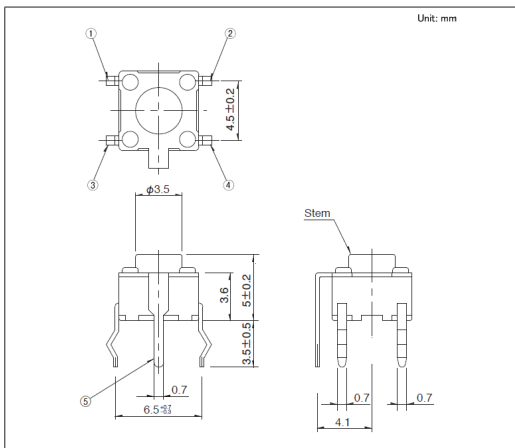
■ Circuit Diagram



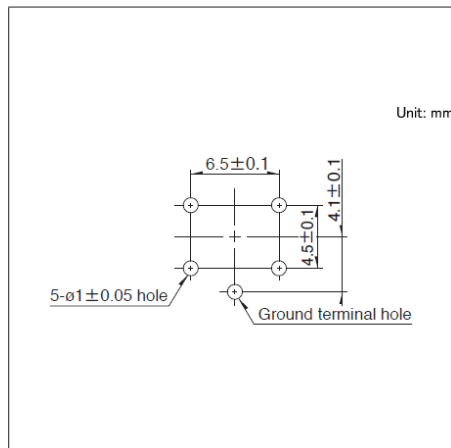
Viewed from mounting face.

Drawing No.9

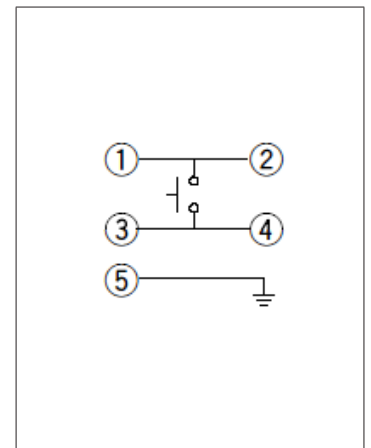
■ Dimensions



■ Mounting Hole Dimensions



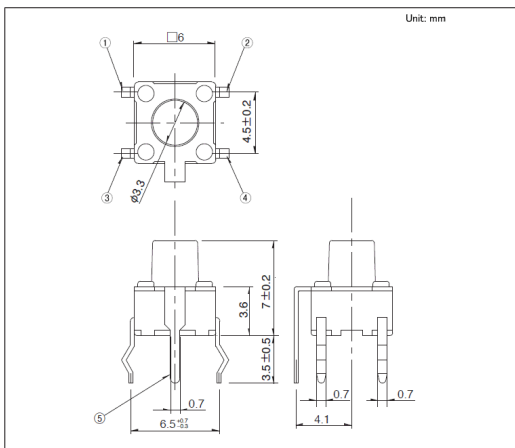
■ Circuit Diagram



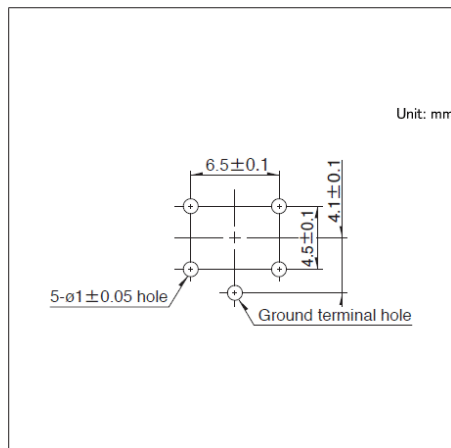
Viewed from mounting face.

Drawing No.10

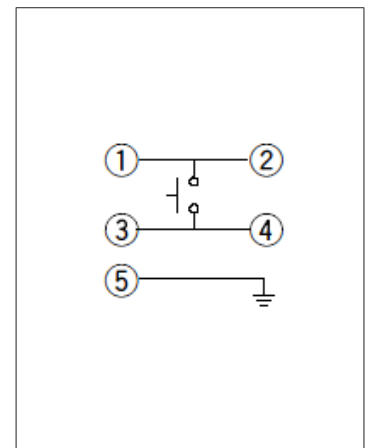
■ Dimensions



■ Mounting Hole Dimensions



■ Circuit Diagram



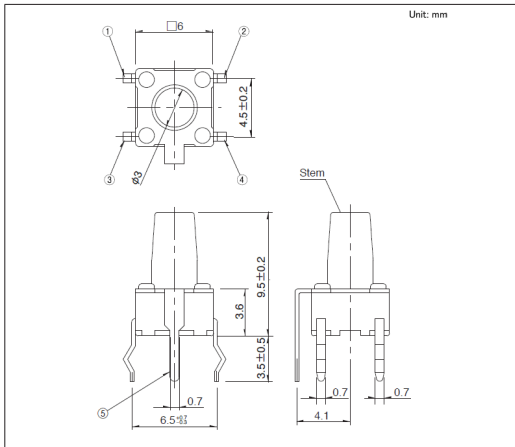
Viewed from mounting face.

TACT Switch™ Snap-in Type

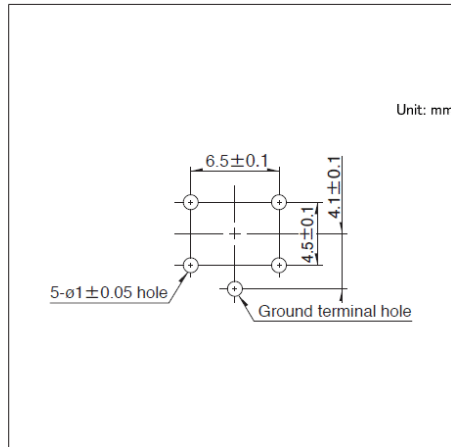
6.0mm Square (Snap-in)
SKHH Series

Drawing No.11

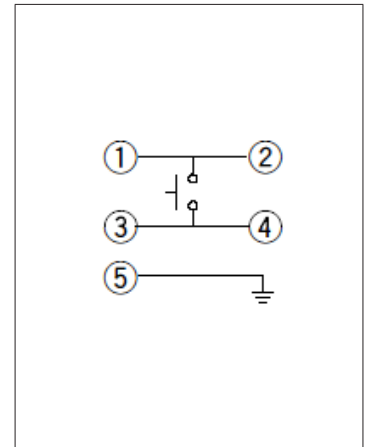
■ Dimensions



■ Mounting Hole Dimensions



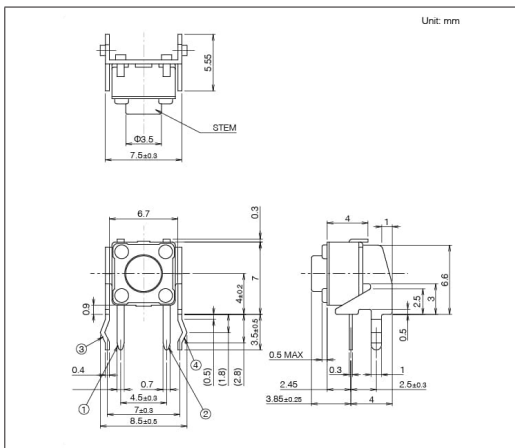
■ Circuit Diagram



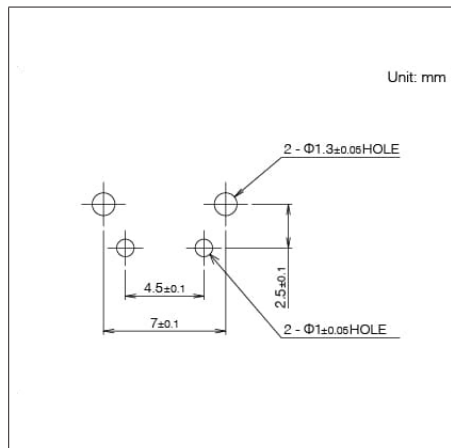
Viewed from mounting face.

Drawing No.12

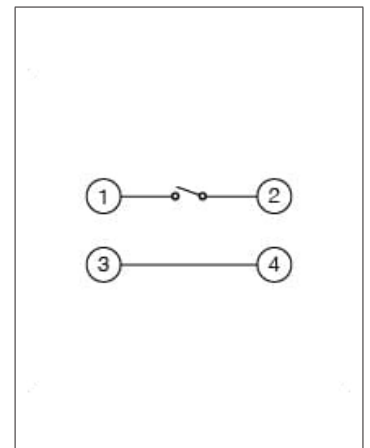
■ Dimensions



■ Mounting Hole Dimensions



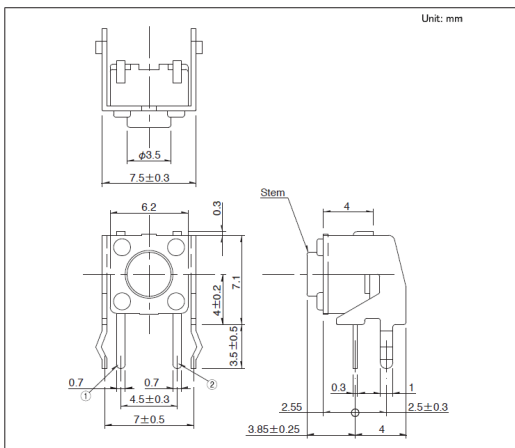
■ Circuit Diagram



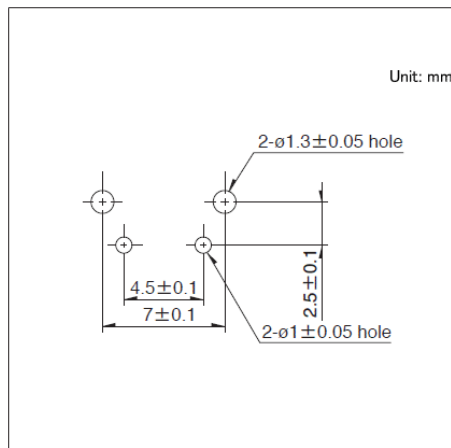
Viewed from mounting face.

Drawing No.13

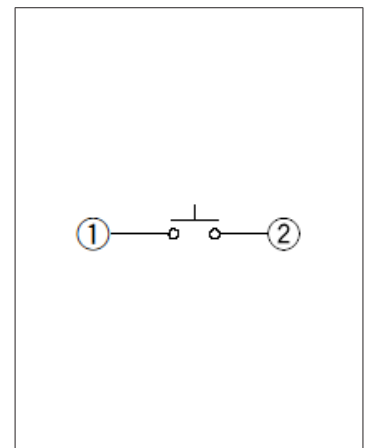
■ Dimensions



■ Mounting Hole Dimensions



■ Circuit Diagram



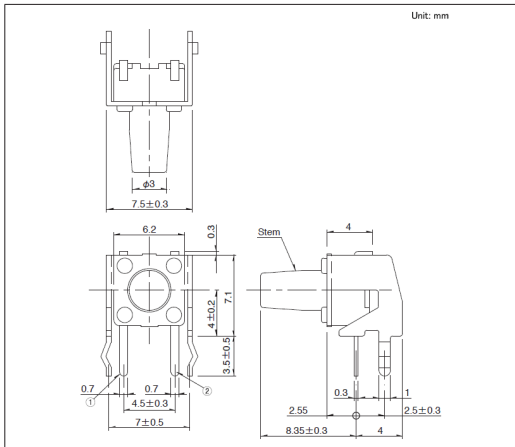
Viewed from mounting face.

TACT Switch™ Snap-in Type

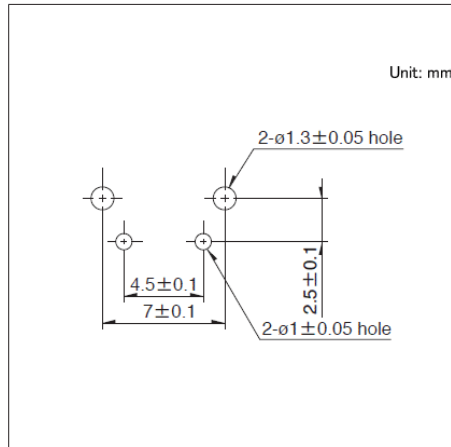
6.0mm Square (Snap-in)
SKHH Series

Drawing No.14

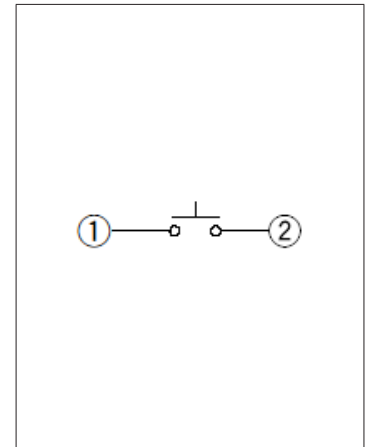
■ Dimensions



■ Mounting Hole Dimensions



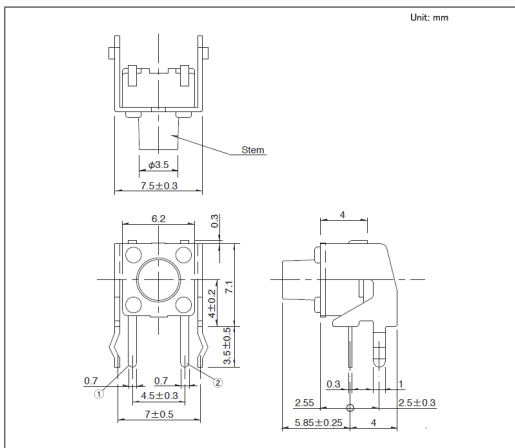
■ Circuit Diagram



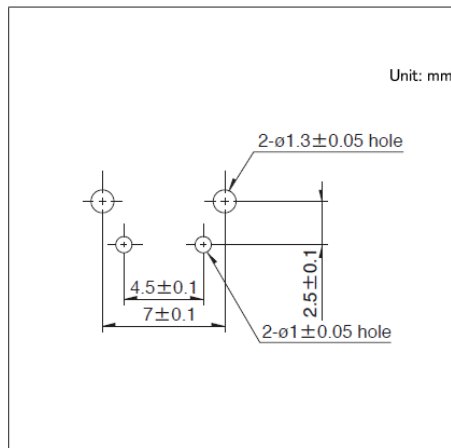
Viewed from mounting face.

Drawing No.15

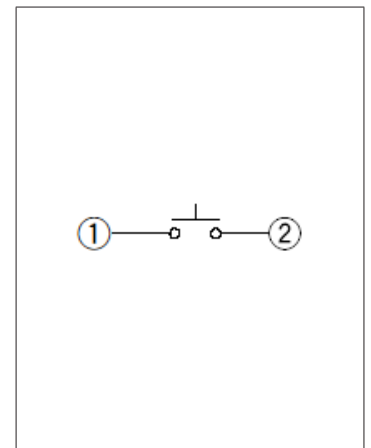
■ Dimensions



■ Mounting Hole Dimensions



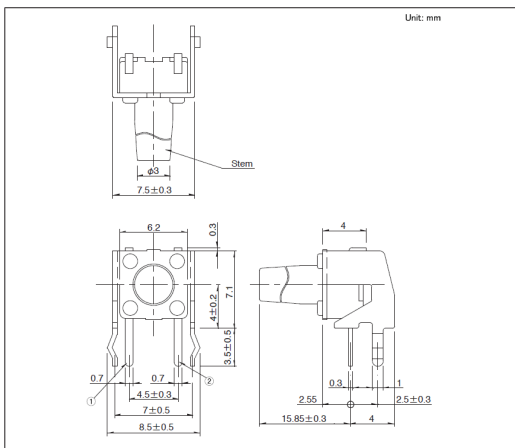
■ Circuit Diagram



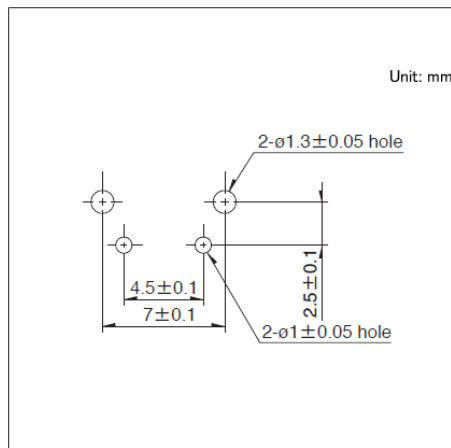
Viewed from mounting face.

Drawing No.16

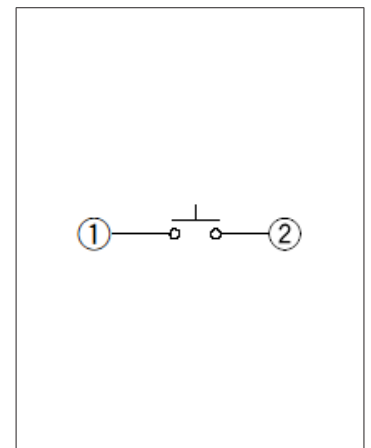
■ Dimensions



■ Mounting Hole Dimensions



■ Circuit Diagram



Viewed from mounting face.

TACT Switch™ Snap-in Type

6.0mm Square Dust-proof (Snap-in) SKHW Series

Supports a wide range of devices with unique dust-proof structure and sharp operation feel.



 Dust-proof Type

- Series type: Sharp feeling type
- Rating (max.): 50mA 12V DC
- Rating (min.): 10 μ A 1V DC

Applications: Energy_Industrial: Industrial equipment
Healthcare: Healthcare equipment, Analysis, test equipment
Home: Major home appliances, Office equipment
Audio_TV: Visual, Audio, Pro audio

Product List

Products No.	Operating direction	Operating force (N)	Travel (mm)	Operating life (cycles)	Initial contact resistance	Dimensions (W×D×H) (mm)	Water-proof	Dust-proof	Automotive	Drawing No.
SKHWALA010	Top push	1.57	0.3	1,000,000	100m Ω max.	6.0×6.0×4.3	—	●	—	1
SKHWARA010	Top push	2.55	0.3	500,000	100m Ω max.	6.0×6.0×4.3	—	●	—	
SKHWAPA010	Top push	1.57	0.3	1,000,000	100m Ω max.	6.0×6.0×5.0	—	●	—	2
SKHWQA010	Top push	2.55	0.3	500,000	100m Ω max.	6.0×6.0×5.0	—	●	—	

Note

1. This catalog shows only outline specifications. When using the products, please obtain formal specifications for supply.
2. Please use 1.6mm thick PC boards.
3. Please place purchase orders per minimum order unit (integer).

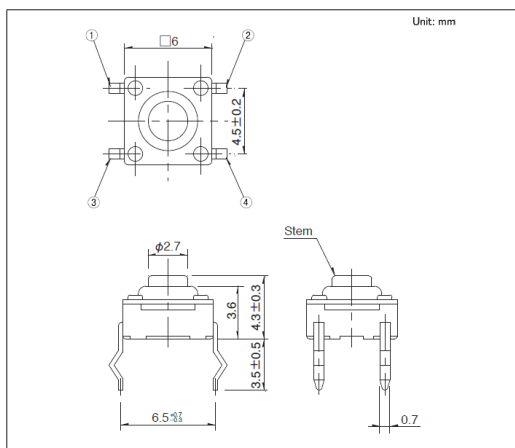
Packing Specifications

Bulk

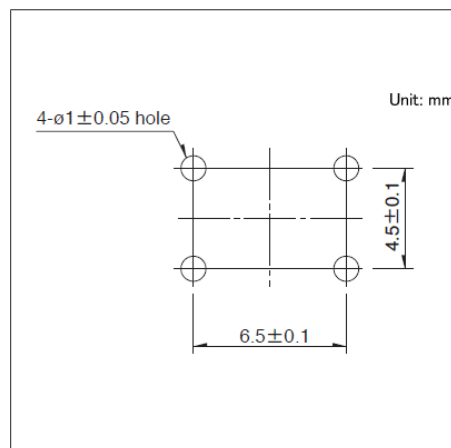
Number of packages (pcs.)		Export package measurements (mm)
1 case / Japan	1 case / export packing	
10,000	30,000	309 x 476 x 347

Drawing No. 1

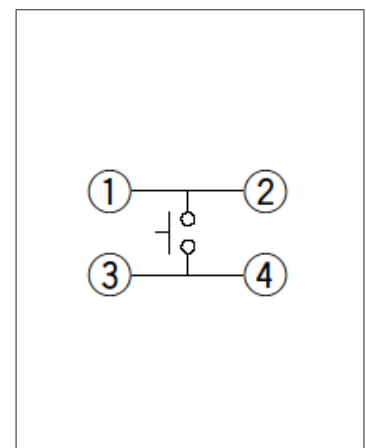
Dimensions



Mounting Hole Dimensions



Circuit Diagram

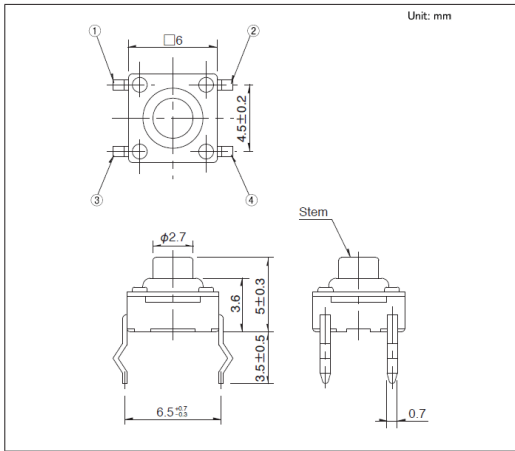


Viewed from mounting face.

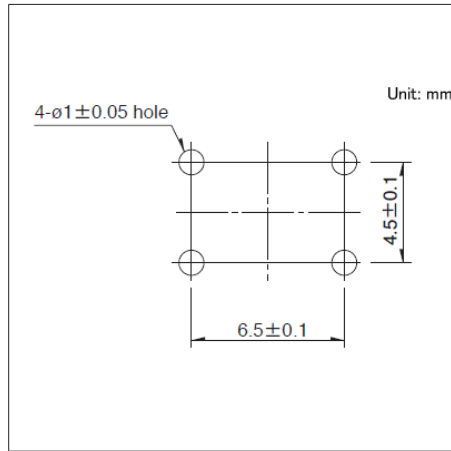
TACT Switch™ Snap-in Type
6.0mm Square Dust-proof (Snap-in)
SKHW Series

Drawing No.2

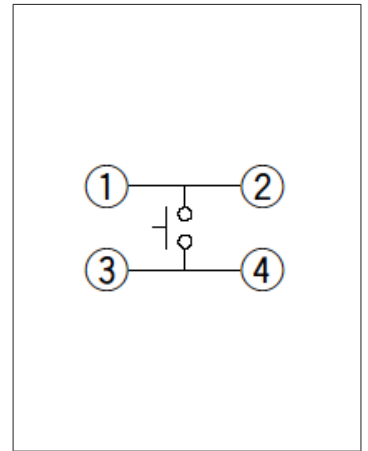
■ Dimensions



■ Mounting Hole Dimensions



■ Circuit Diagram

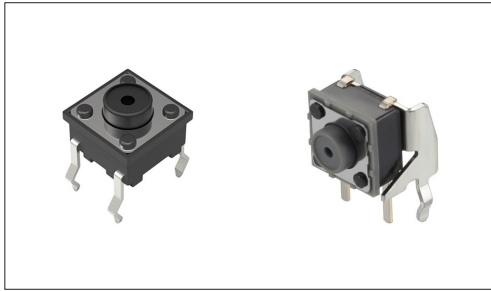


Viewed from mounting face.

TACT Switch™ Snap-in Type

6.6mm Square (Snap-in) SKQJ Series

Simple dust-proof type with sharp operation feel and excellent versatility.



 Dust-proof Type

- Series type: Sharp feeling type
- Rating (max.): 50mA 12V DC
- Rating (min.): 10 μ A 1V DC

Applications: Energy_Industrial: Industrial equipment
 Healthcare: Healthcare equipment, Analysis, test equipment
 Home: Major home appliances, Office equipment
 Audio_TV: Visual, Audio, Pro audio

Product List

Products No.	Type	Operating direction	Operating force (N)	Travel (mm)	Operating life (cycles)	Initial contact resistance	Dimensions (WxDxH) (mm)	Water-proof	Dust-proof	Automotive	Drawing No.
SKQJAAA010	Top push type	Top push	0.98	0.25	1,000,000	100m Ω max.	6.6×6.6×5.0	—	●	—	1
SKQJABA010		Top push	1.57	0.25	500,000	100m Ω max.	6.6×6.6×5.0	—	●	—	
SKQJADA010		Top push	0.98	0.25	1,000,000	100m Ω max.	6.6×6.6×7.0	—	●	—	2
SKQJAEA010		Top push	1.57	0.25	500,000	100m Ω max.	6.6×6.6×7.0	—	●	—	
SKQJAJA010		Top push	0.98	0.25	200,000	100m Ω max.	6.6×6.6×9.5	—	●	—	3
SKQJAKA010		Top push	1.57	0.25	200,000	100m Ω max.	6.6×6.6×9.5	—	●	—	
SKQJLAA010	Side push type	Side push	0.98	0.25	1,000,000	100m Ω max.	7.5×7.85×7.0	—	●	—	4
SKQJLBA010		Side push	1.57	0.25	500,000	100m Ω max.	7.5×7.85×7.0	—	●	—	

Note

1. This catalog shows only outline specifications. When using the products, please obtain formal specifications for supply.
2. Please use 1.6mm thick PC boards.
3. Please place purchase orders per minimum order unit (integer).

Packing Specifications

Bulk

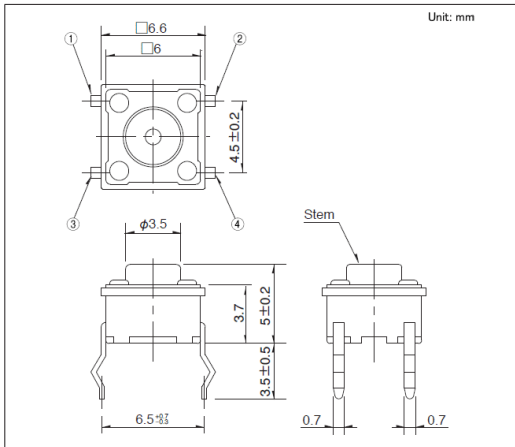
Number of packages (pcs.)		Export package measurements (mm)
1 case / Japan	1 case / export packing	
10,000	30,000	309 x 476 x 347

TACT Switch™ Snap-in Type

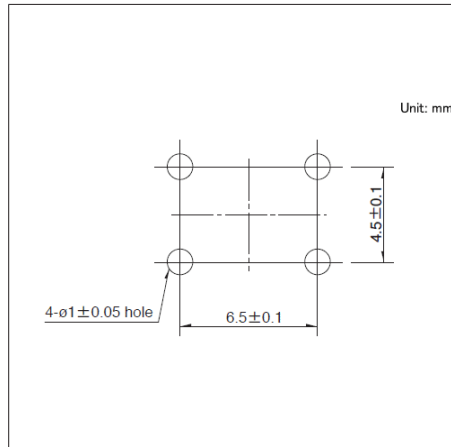
6.6mm Square (Snap-in)
SKQJ Series

Drawing No.1

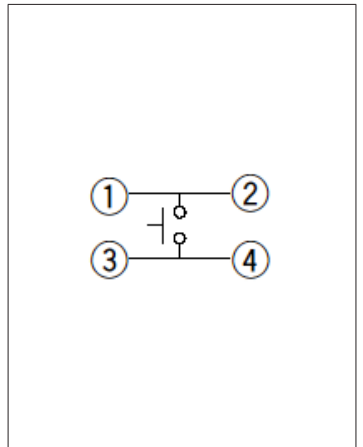
■ Dimensions



■ Mounting Hole Dimensions



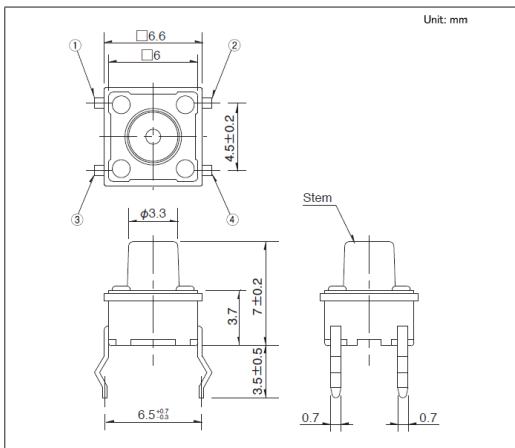
■ Circuit Diagram



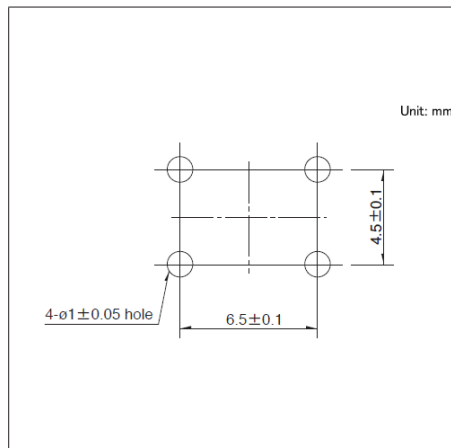
Viewed from mounting face.

Drawing No.2

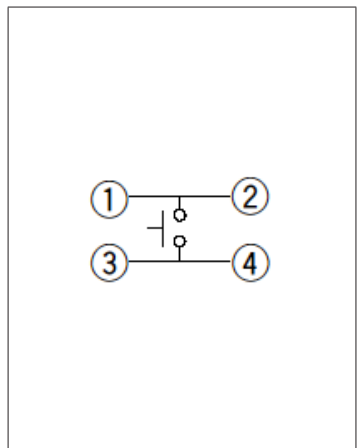
■ Dimensions



■ Mounting Hole Dimensions



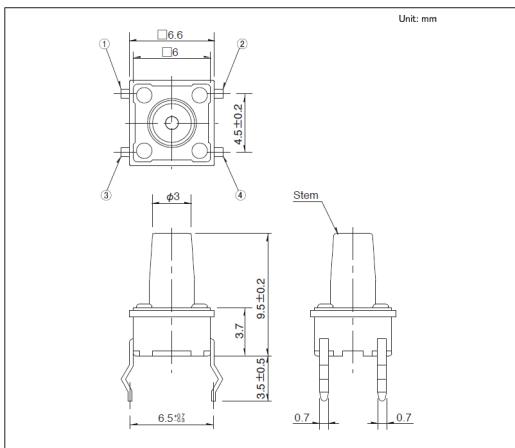
■ Circuit Diagram



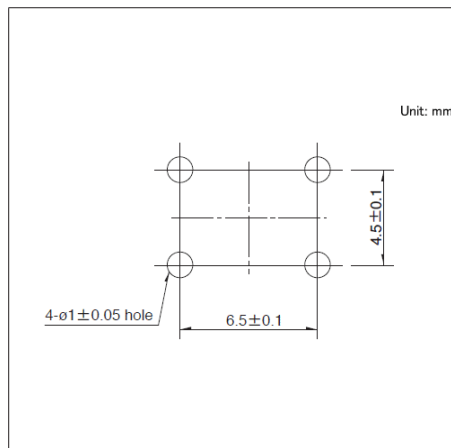
Viewed from mounting face.

Drawing No.3

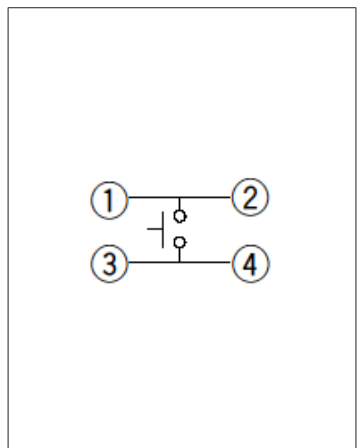
■ Dimensions



■ Mounting Hole Dimensions



■ Circuit Diagram



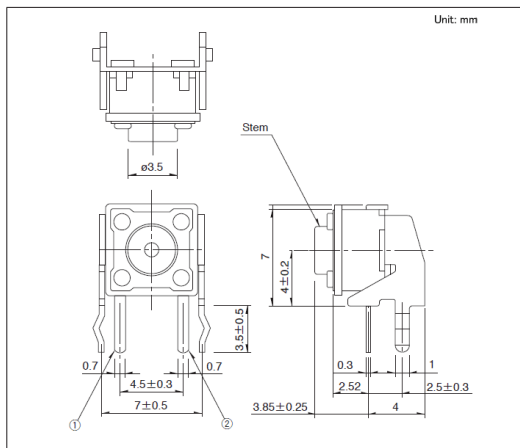
Viewed from mounting face.

TACT Switch™ Snap-in Type

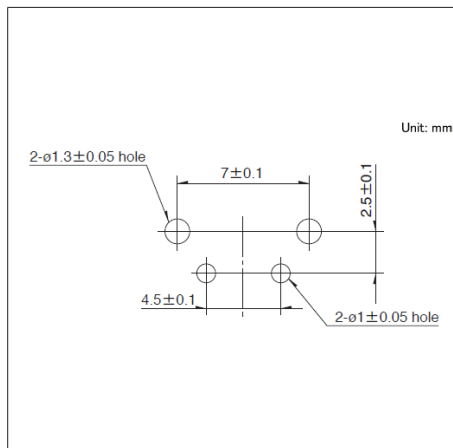
6.6mm Square (Snap-in)
SKQJ Series

Drawing No.4

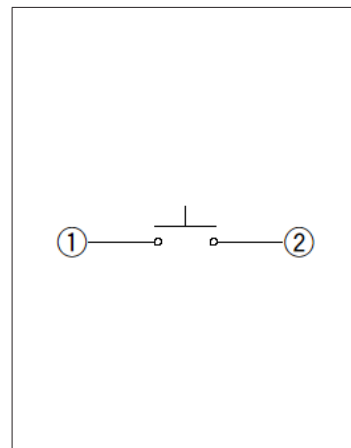
■ Dimensions



■ Mounting Hole Dimensions



■ Circuit Diagram

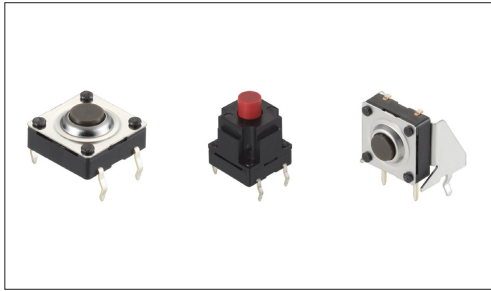


Viewed from mounting face.

TACT Switch™ Snap-in Type

10mm Square (Snap-in) SKQB Series

Excellent water-proof and dust-proof structure, suitable for water-related household appliances.



Automotive

Water-proof Type

Dust-proof Type

- Series type: Sharp feeling type
- Rating (max.): 50mA 12V DC
- Rating (min.): 10μA 1V DC

Applications: Energy_Industrial: Industrial equipment
 Healthcare: Healthcare equipment, Analysis, test equipment
 Home: Major home appliances, Office equipment
 Automotive: Hood Latch (Side/Rear/Door/Gear),
 Navigation/audio systems, HVAC,
 Overhead consoles, Steering, Shifter

■ Product List

Products No.	Type	Operating direction	Operating force (N)	Travel (mm)	Operating life (cycles)	Initial contact resistance	Dimensions (W×D×H) (mm)	Water-proof	Dust-proof	Water-proof & Dust-proof	Automotive	Drawing No.
SKQBARA010	Top push type	Top push	1.57	0.3	100,000	500mΩ max.	10.0×10.0×5.0	●	●	Conditions: Coating the terminals	●	1
SKQBASA010		Top push	2.55	0.3	100,000	500mΩ max.	10.0×10.0×5.0	●	●	Conditions: Coating the terminals	●	
SKQBAPA010		Top push	1.57	0.3	100,000	500mΩ max.	10.0×10.0×13.0	●	●	Conditions: Coating the terminals	●	2
SKQBAJA010		Top push	2.55	0.3	100,000	500mΩ max.	10.0×10.0×13.0	●	●	Conditions: Coating the terminals	●	
SKQBAQA010		Top push	1.57	0.3	100,000	500mΩ max.	10.0×10.0×23.2	●	●	Conditions: Coating the terminals	●	3
SKQBAMA010		Top push	2.55	0.3	100,000	500mΩ max.	10.0×10.0×23.2	●	●	Conditions: Coating the terminals	●	
SKQBLBA010	Side push type	Side push	1.57	0.3	100,000	500mΩ max.	11.5×11.9×11.0	●	●	Conditions: Coating the terminals	●	4

Note

1. This catalog shows only outline specifications. When using the products, please obtain formal specifications for supply.
2. Switch terminals must be coated thoroughly until the terminals are fully covered.
3. When the switch is used in an environment subject to high humidity or condensation, make sure the terminals are coated thoroughly to prevent current leakage between terminals.
4. Avoid using coating material coating toluene or xylene. For more information on coating material, please contact us.
5. Please use 1.6mm thick PC boards.
6. Please place purchase orders per minimum order unit (integer).

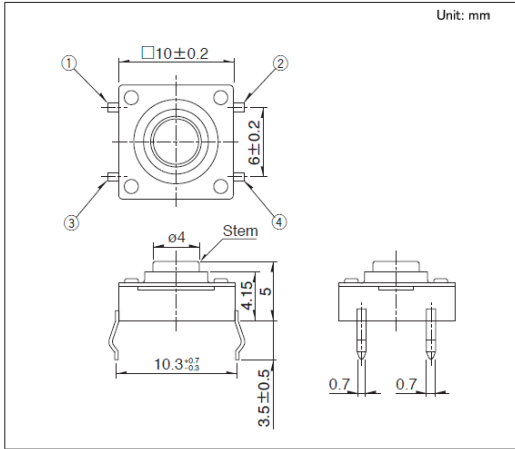
■ Packing Specifications

Bulk

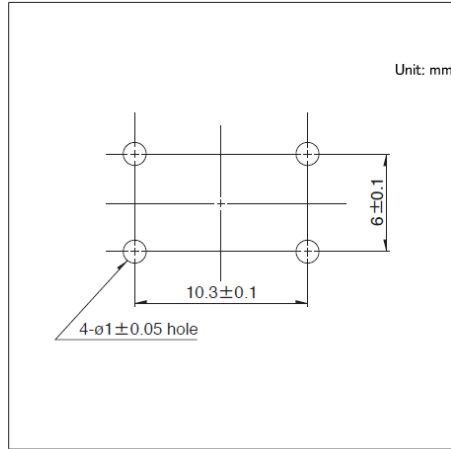
Products No.	Number of packages(pcs.)		Export package measurements (mm)
	1 case / Japan	1 case / export packing	
SKQBARA010 SKQBASA010 SKQBAPA010 SKQBAJA010 SKQBLBA010	4,000	12,000	309 x 476 x 347
SKQBAQA010 SKQBAMA010	2,000	6,000	309 x 476 x 347

Drawing No.1

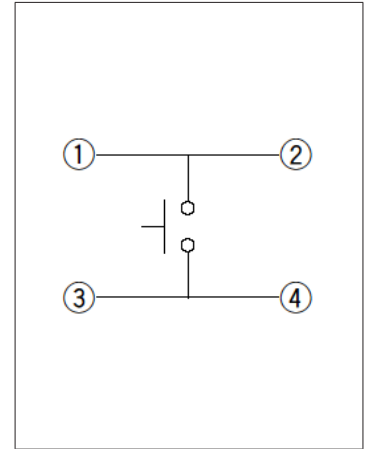
■ Dimensions



■ Mounting Hole Dimensions



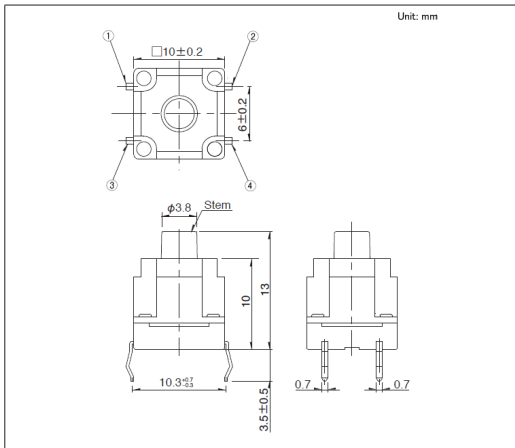
■ Circuit Diagram



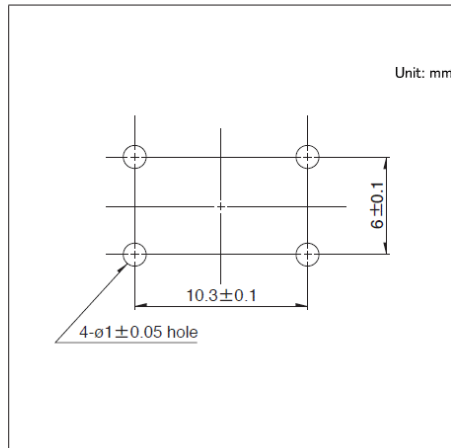
Viewed from mounting face.

Drawing No.2

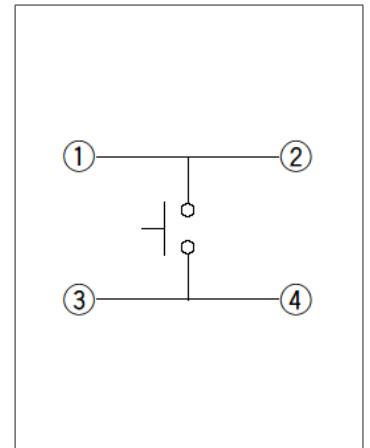
■ Dimensions



■ Mounting Hole Dimensions



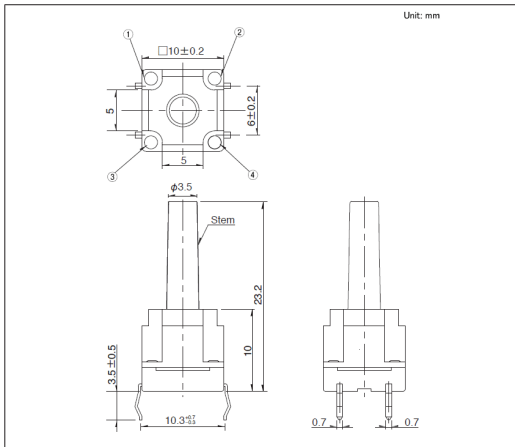
■ Circuit Diagram



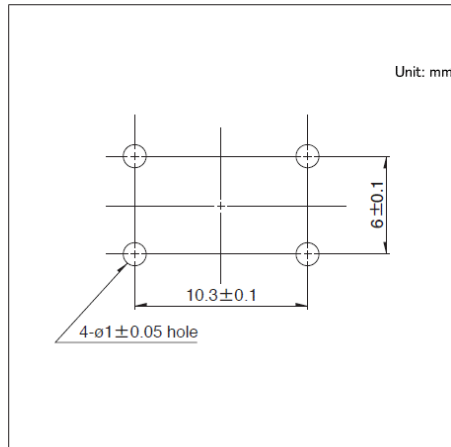
Viewed from mounting face.

Drawing No.3

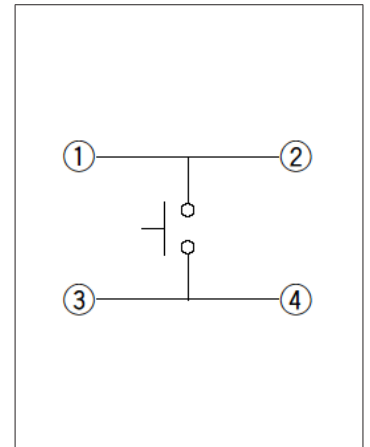
■ Dimensions



■ Mounting Hole Dimensions



■ Circuit Diagram



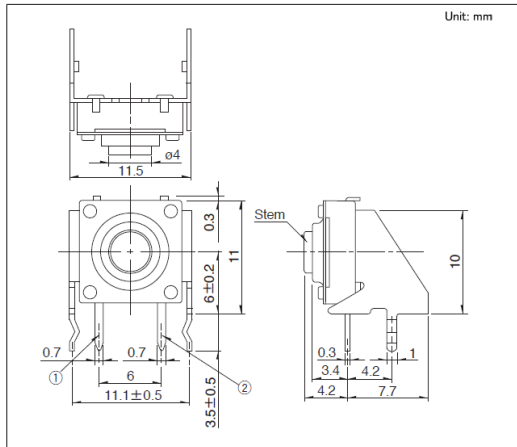
Viewed from mounting face.

TACT Switch™ Snap-in Type

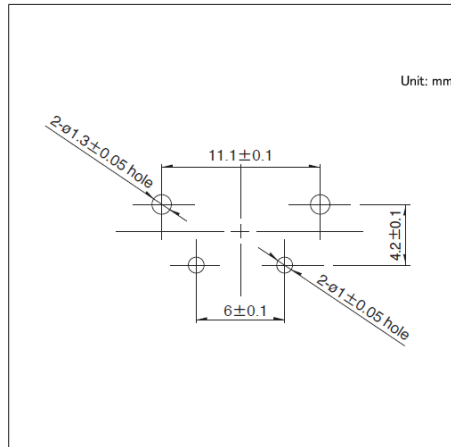
10mm Square (Snap-in)
SKQB Series

Drawing No.4

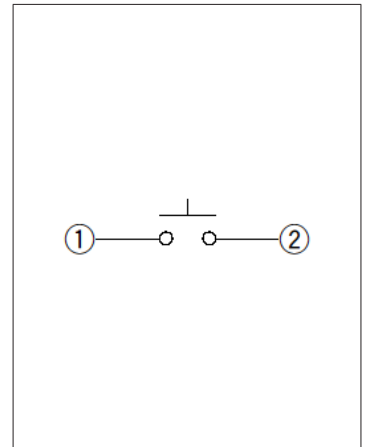
■ Dimensions



■ Mounting Hole Dimensions



■ Circuit Diagram

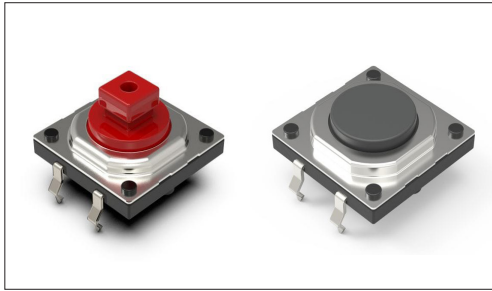


TACT Switch™ Snap-in Type

12mm Square (Snap-in) SKQE Series

Long-life type with unique dust-proof structure and high-reliability metal contacts, capable of 10 million operations.

Dust-proof Type



- Series type: Sharp feeling type
- Rating (max.): 50mA 12V DC
- Rating (min.): 10μA 1V DC

Applications: Energy_Industrial: Industrial equipment
Home: Major home appliances, Office equipment

Product List

Products No.	Operating direction	Operating force (N)	Travel (mm)	Operating life (cycles)	Initial contact resistance	Stem	Dimensions (W×D×H) (mm)	Water-proof	Dust-proof	Automotive	Drawing No.
SKQEAAA010	Top push	1.57	0.3	10,000,000	100mΩ max.	Joint stem	12.0×12.0×7.3	—	●	—	1
SKQEACA010	Top push	2.55	0.3	10,000,000	100mΩ max.	Joint stem	12.0×12.0×7.3	—	●	—	
SKQEABA010	Top push	1.57	0.3	10,000,000	100mΩ max.	Flat stem	12.0×12.0×4.3	—	●	—	2
SKQEADA010	Top push	2.55	0.3	10,000,000	100mΩ max.	Flat stem	12.0×12.0×4.3	—	●	—	

Note

1. This catalog shows only outline specifications. When using the products, please obtain formal specifications for supply.
2. Please use 1.6mm thick PC boards.
3. Please place purchase orders per minimum order unit (integer).

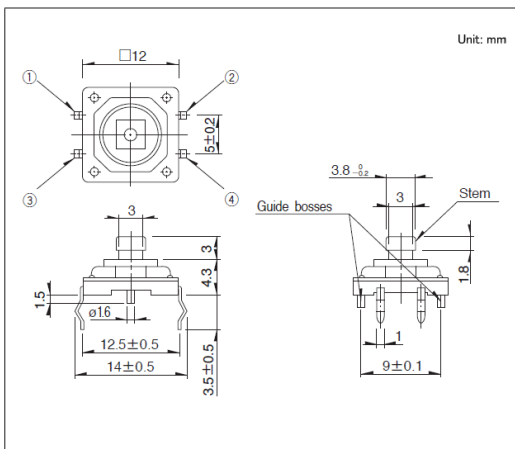
Packing Specifications

Bulk

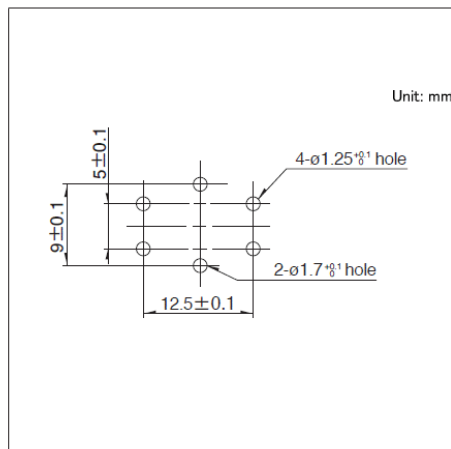
Number of packages (pcs.)		Export package measurements (mm)
1 case / Japan	1 case / export packing	
4,000	12,000	309 x 476 x 347

Drawing No. 1

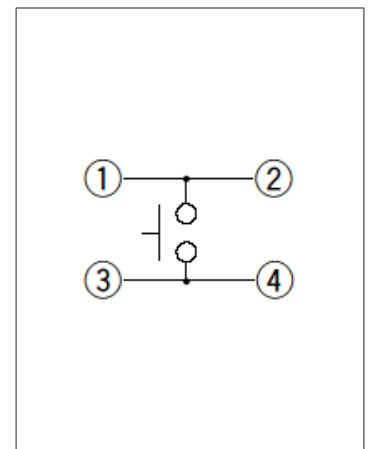
Dimensions



Mounting Hole Dimensions



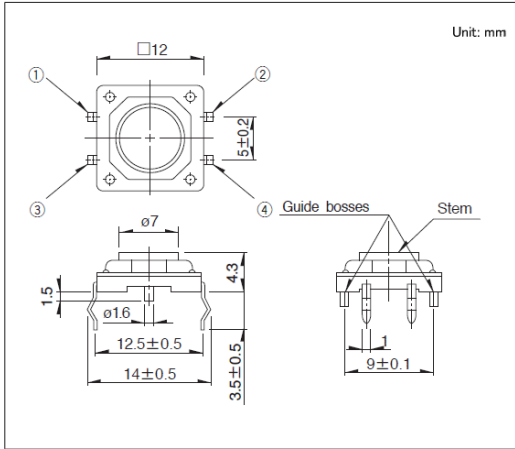
Circuit Diagram



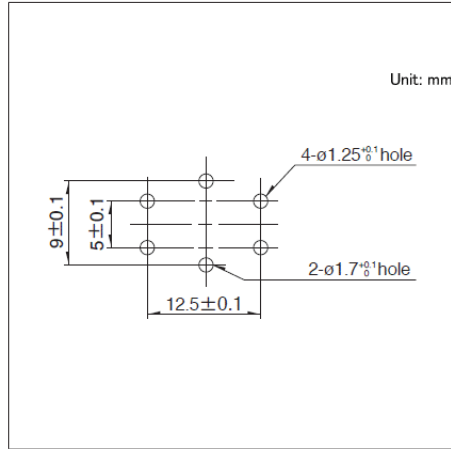
Viewed from mounting face.

Drawing No.2

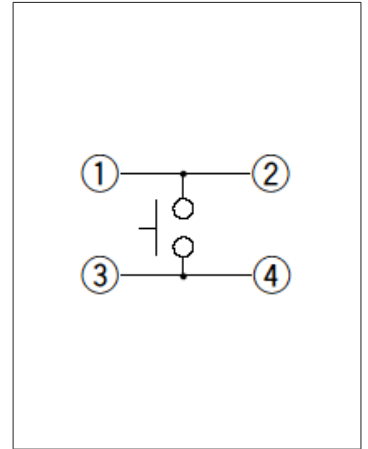
■ Dimensions



■ Mounting Hole Dimensions



■ Circuit Diagram



Viewed from mounting face.

TACT Switch™ Snap-in Type

12mm Square (Snap-in) SKHC Series

Features stable operation feel with joint stem and flat stem designs.



- Series type: Sharp feeling type
- Rating (max.): 50mA 12V DC
- Rating (min.): 10 μ A 1V DC

Applications: Energy_Industrial: Industrial equipment
Home: Office equipment

■ Product List

Products No.	Operating direction	Operating force (N)	Travel (mm)	Operating life (cycles)	Initial contact resistance	Stem	Dimensions (W×D×H) (mm)	Water-proof	Dust-proof	Automotive	Drawing No.
SKHCBJA010	Top push	0.74	0.3	500,000	100m Ω max.	Joint stem	12.0×12.0×7.3	—	—	—	1
SKHCBEA010	Top push	1.27	0.3	1,000,000	100m Ω max.	Joint stem	12.0×12.0×7.3	—	—	—	
SKHCBLA010	Top push	1.27	0.3	3,000,000	100m Ω max.	Joint stem	12.0×12.0×7.3	—	—	—	
SKHCBGA010	Top push	2.55	0.3	500,000	100m Ω max.	Joint stem	12.0×12.0×7.3	—	—	—	
SKHCBKA010	Top push	0.74	0.3	500,000	100m Ω max.	Flat stem	12.0×12.0×4.3	—	—	—	2
SKHCBFA010	Top push	1.27	0.3	1,000,000	100m Ω max.	Flat stem	12.0×12.0×4.3	—	—	—	
SKHCBMA010	Top push	1.27	0.3	3,000,000	100m Ω max.	Flat stem	12.0×12.0×4.3	—	—	—	
SKHCBHA010	Top push	2.55	0.3	500,000	100m Ω max.	Flat stem	12.0×12.0×4.3	—	—	—	

⚠ Note

1. This catalog shows only outline specifications. When using the products, please obtain formal specifications for supply.
2. Please use 1.6mm thick PC boards.
3. Please place purchase orders per minimum order unit (integer).

■ Packing Specifications

Bulk

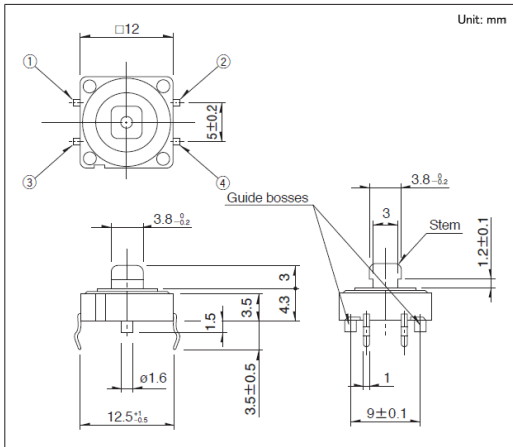
Number of packages (pcs.)		Export package measurements (mm)
1 case / Japan	1 case / export packing	
5,000	15,000	309 x 476 x 347

TACT Switch™ Snap-in Type

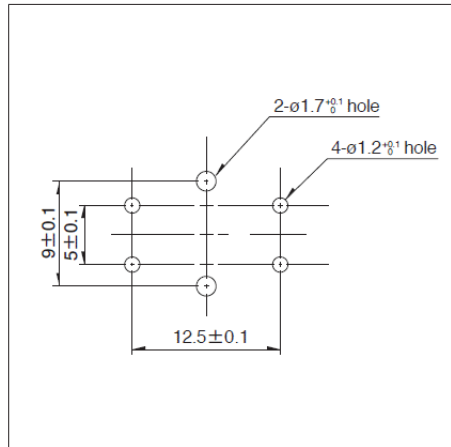
12mm Square (Snap-in)
SKHC Series

Drawing No.1

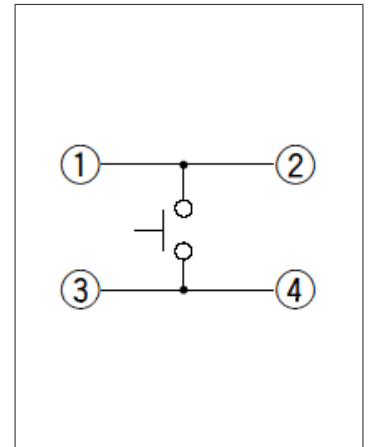
■ Dimensions



■ Mounting Hole Dimensions



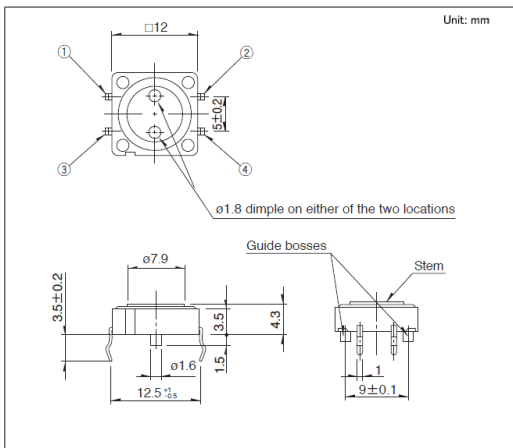
■ Circuit Diagram



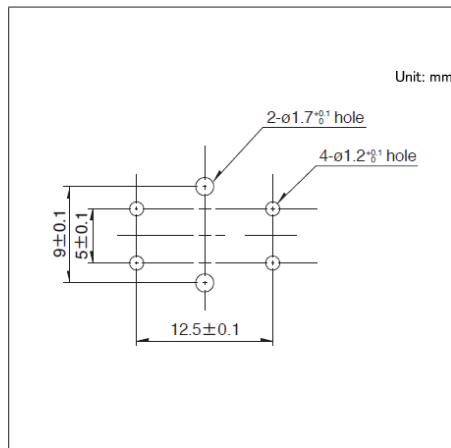
Viewed from mounting face.

Drawing No.2

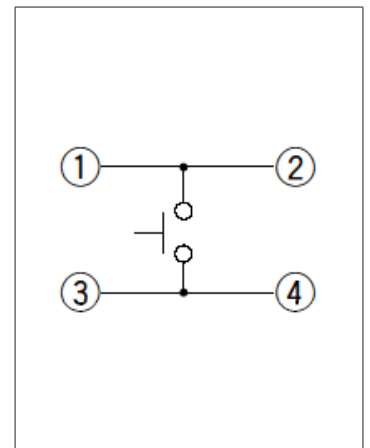
■ Dimensions



■ Mounting Hole Dimensions



■ Circuit Diagram

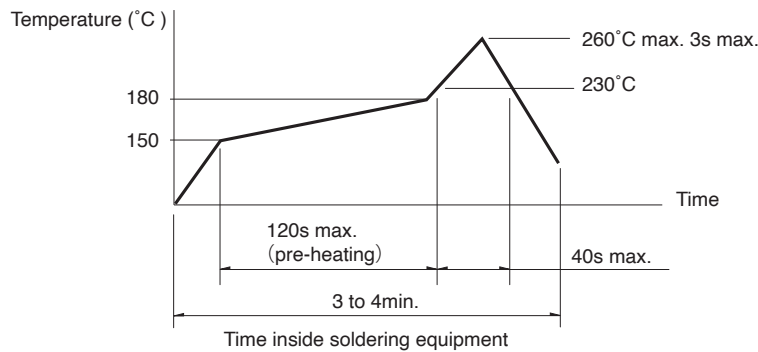


Viewed from mounting face.

TACT Switch™ / Soldering Conditions

■ Condition for Reflow

Available for Surface Mount Type.
Temperature profile



⚠ Note

- Please confirm the specifications of our product for the detailed condition.
- Soldering conditions differ depending on reflow soldering machines.
Prior verification of soldering condition is highly recommended.
- Allowable soldering time : 2 times Max. The second soldering should be done after the switch is stable with normal temperature.

■ Conditions for Auto-dip

Available for Snap-in Type and Radial Type.

Items	Condition
Flux built-up	Mounting surface should not be exposed to flux
Preheating temperature	Ambient temperature of the soldered surface of PC board. 100°C max.
Preheating time	60s max.
Soldering temperature	260°C max.
Duration of immersion	5s max.
Number of soldering	2times max.

SKHH Series

Items	Condition
Flux built-up	Mounting surface should not be exposed to flux
Preheating temperature	Ambient temperature of the soldered surface of PC board. 110°C max.
Preheating time	60s max.
Soldering temperature	260°C max.
Duration of immersion	5s max.
Number of soldering	2times max.

SKHLTop Push Type, SKQJ Series

Items	Condition
Flux built-up	Mounting surface should not be exposed to flux
Preheating temperature	Ambient temperature of the soldered surface of PC board. 100°C max.
Preheating time	45s max.
Soldering temperature	255°C max.
Duration of immersion	5s max.
Number of soldering	2times max.

⚠ Note

- Prevent flux penetration from the top side of the TACT Switch™.
- Switch terminals and a PC board should not be coated with flux prior to soldering.
- The second soldering should be done after the switch is stable with normal temperature.
- Use the flux with a specific gravity of min 0.81.
(EC-19S-8 by TAMURA CORPORATION, or equivalents.)

■ Manual Soldering

Items

Items	Condition
Soldering temperature	350°Cmax.
Duration of soldering	3s max.
Capacity of soldering iron	60W max.

SKHH, SKHW Series

Items	Condition
Soldering temperature	360°Cmax.
Duration of soldering	3s max.
Capacity of soldering iron	60W max.

SKTD, SKQJ, SKSN Series

Items	Condition
Soldering temperature	350°Cmax.
Duration of soldering	3s max.
Capacity of soldering iron	20W max.

TACT Switch™ / Cautions

1. When terminals are exposed to mechanical stress during soldering, it may cause degradation in deformation and electrical property.
2. Through-hole PC board, or a PC board thickness other than the recommendation may cause larger heat stress. Prior verification is highly recommended.
3. In prior to the 2nd soldering switch shall be stable with normal temperature. It may cause deformation of switch, loose terminals, terminal removed from PC board, and / or degradation of electric property.
4. Verify samples with actual mass production conditions.
5. After soldering, do not wash switches with a solvent, etc.
6. The products are designed and manufactured for direct current resistance. Individual consultation is recommended for use of other resistances such as inductive (L) or capacitive (C).
7. The sizes of holes and patterns on a PC board for mounting a switch, be as per the recommended dimensions in the product drawings.
8. This switch is designed for manually operated units. Must not use this switch for a mechanical detection unit. For detection purposes, please use our detection switch.
9. The switch will be broken if impact force or a greater stress than that specified is applied. Take great care not to let the switch be subject to greater stress than specified.
10. Do not apply a force from the side of the stem.
11. Be sure to push the center of switch for "without-stem" type. Extreme care is required for a hinge structure type, as the activation point may shift when it is pressed down.
12. The circuit setting (software setting) shall be ensured for error-free operations, caused by bounce and chattering as specified by each model of the switches.
13. Prior verification is needed to ensure that no corrosive gas-generating components are used near our switch. It may give negative influence such as contact failure.
14. Contact resistance of a carbon contact type may vary depending on push force. Confirm that it functions sufficiently in using TACT Switch™ with a voltage divider circuit.
15. Be aware of dust intrusion into a non dust-proof TACT switch™.
16. Storage
 1. Store the products as delivered, at a normal temperature and humidity, without direct sunshine and corrosive gas ambient. Use them at an earliest possible timing, not later than six months upon receipt.
 2. After breaking the seal, keep the products in a plastic bag to prevent out ambient air, store them in the same environment as above, and use all as soon as possible.
 3. Do not stack too many switches.
 4. Store the key switches in released position.
17. TACT Switch is a trademark or registered trademark of Alps Alpine Co., Ltd.