








TACT Switch™

● Snap-in Type	2
● Surface Mount Type	26
● Radial Type	92

Snap-in Type

List of Varieties

Series		SKHL	SKHH	SKHW	SKQJ	SKQB	SKQE	SKHC	
Photo									
Operation feeling		Sharp feeling							
Water-proof		—	—	—	—	●	—	—	
Dust-proof		—	—	●	●	●	●	—	
Operating direction	Top push	●	●	●	●	●	●	●	
	Side push	●	●	—	●	●	—	—	
Ground terminal		—	○	—	—	—	—	—	
Dimensions (mm)		6.0×3.5×4.3 6.0×3.5×5.0 7.3×7.22×4.3	6.0×6.0×4.3 6.0×6.0×5.0 6.0×6.0×7.0 6.0×6.0×7.3 6.0×6.0×9.5 6.0×6.0×13.0 6.0×6.0×17.0 7.5×7.85×7.0 7.5×7.85×7.1 7.5×9.85×7.1 7.5×12.35×7.1 7.5×19.85×7.1	6.0×6.0×4.3 6.0×6.0×5.0	6.6×6.6×5.0 6.6×6.6×7.0 6.6×6.6×9.5 7.5×7.85×7.0	10.0×10.0×5.0 10.0×10.0×13.0 10.0×10.0×23.2 11.5×11.9×11.0	12.0×12.0×4.3 12.0×12.0×7.3		
Operating force (N)		0.98 1.57 2.55	0.98 1.57 1.96 2.55 3.53 5.10	1.57 2.55	0.98 1.57	1.57 2.55		0.74 1.27 2.55	
Travel (mm)		0.25		0.3	0.25	0.3			
Operating temperature range		-20°C to +70°C -40°C to +90°C	-40°C to +90°C		-20°C to +70°C	-40°C to +90°C		-40°C to +85°C	
Electrical performance	Rating (max.)	50mA 12V DC							
	Rating (min.)	10μA 1V DC							
	Insulation resistance	100MΩ min. 100V DC for 1 min.							
	Voltage proof	250V AC for 1 min.							
Environmental performance	Cold	-30°C 96h -40°C 96h	-40°C 96h		-30°C 96h	-40°C 96h			
	Dry heat	80°C 96h 90°C 96h	90°C 96h		80°C 96h	90°C 96h			
	Damp heat	60°C, 90 to 95%RH 96h				60°C, 90 to 95%RH 1,000h	60°C, 90 to 95%RH 96h		
Automotive		●	○	—	—	●	—	—	

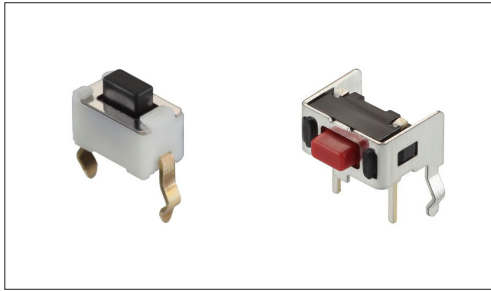
⚠ Note

● Indicates applicability to all products in the series, while ○ indicates applicability to some products in the series.

TACT Switch™ Snap-in Type

6.0×3.5mm (Snap-in) SKHL Series

Contributes to high-density mounting with top-push and side-push configurations.



 Automotive

- Series type: Sharp feeling type
- Rating (max.): 50mA 12V DC
- Rating (min.): 10μA 1V DC

Applications: Energy_Industrial: Industrial equipment
 Healthcare: Healthcare equipment, Analysis, test equipment
 Home: Office equipment
 Audio_TV: Visual, Audio, Pro audio
 Automotive: Navigation/audio systems, HVAC

■ Product List

Products No.	Type	Operating direction	Operating force (N)	Travel (mm)	Operating life (cycles)	Initial contact resistance	Dimensions (W×D×H) (mm)	Water-proof	Dust-proof	Automotive	Drawing No.
SKHLAAA010	Top push type	Top push	0.98	0.25	50,000	500mΩ max.	6.0×3.5×4.3	—	—	●	1
SKHLACA010		Top push	1.57	0.25	50,000	500mΩ max.	6.0×3.5×4.3	—	—	●	
SKHLAJA010		Top push	2.55	0.25	30,000	500mΩ max.	6.0×3.5×4.3	—	—	●	
SKHLABA010		Top push	0.98	0.25	50,000	500mΩ max.	6.0×3.5×5.0	—	—	●	2
SKHLADA010		Top push	1.57	0.25	50,000	500mΩ max.	6.0×3.5×5.0	—	—	●	
SKHLAKA010		Top push	2.55	0.25	30,000	500mΩ max.	6.0×3.5×5.0	—	—	●	
SKHLLAA010	Side push type	Side push	0.98	0.25	50,000	500mΩ max.	7.3×7.22×4.3	—	—	●	3
SKHLLBA010		Side push	1.57	0.25	50,000	500mΩ max.	7.3×7.22×4.3	—	—	●	
SKHLLFA010		Side push	2.55	0.25	30,000	500mΩ max.	7.3×7.22×4.3	—	—	●	
SKHLLCA010		Side push	0.98	0.25	50,000	500mΩ max.	7.3×7.22×4.3	—	—	●	4
SKHLLDA010		Side push	1.57	0.25	50,000	500mΩ max.	7.3×7.22×4.3	—	—	●	

Note

1. This catalog shows only outline specifications. When using the products, please obtain formal specifications for supply.
2. Please place purchase orders per minimum order unit (integer).

■ Packing Specifications

Bulk

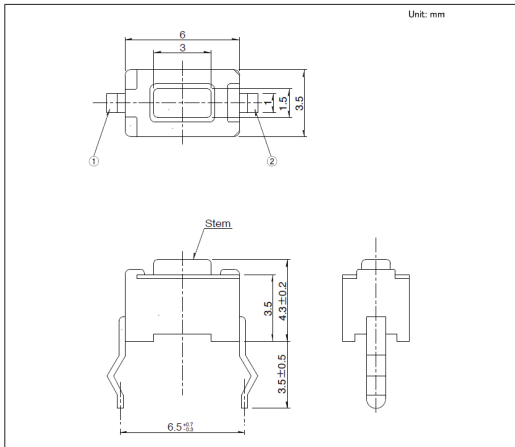
Number of packages (pcs.)		Export package measurements (mm)
1 case / Japan	1 case / export packing	
10,000	30,000	309×476×347

TACT Switch™ Snap-in Type

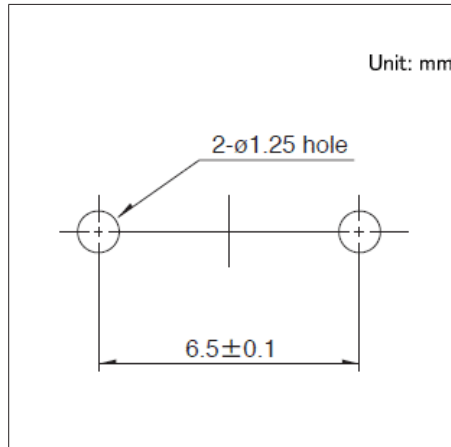
6.0×3.5mm (Snap-in)
SKHL Series

Drawing No.1

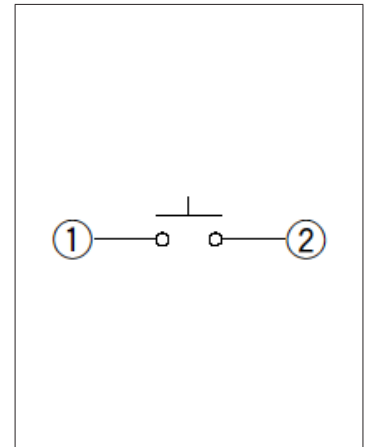
■ Dimensions



■ Mounting Hole Dimensions



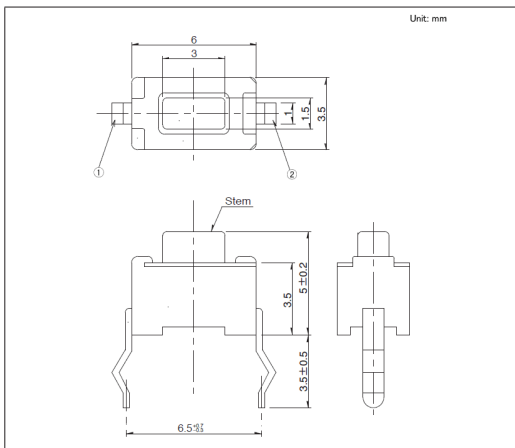
■ Circuit Diagram



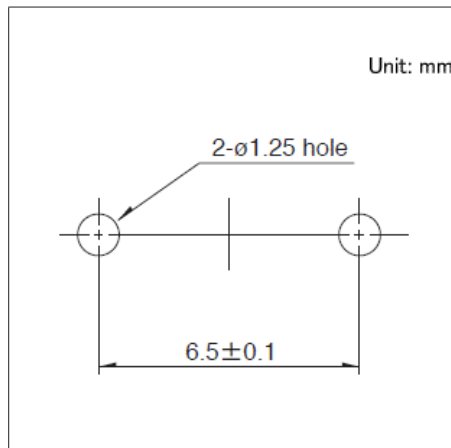
Viewed from mounting face.

Drawing No.2

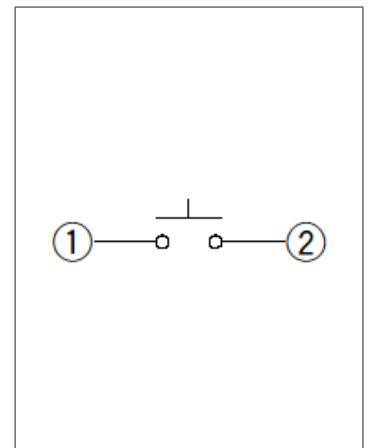
■ Dimensions



■ Mounting Hole Dimensions



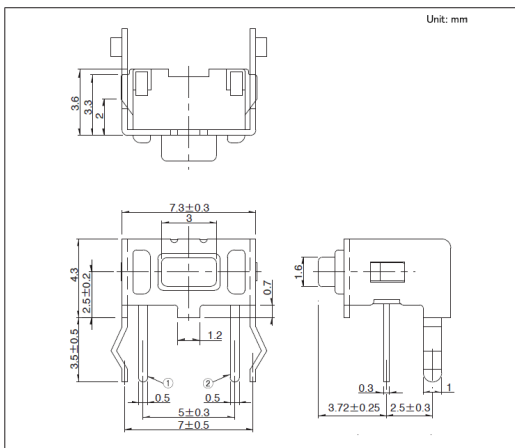
■ Circuit Diagram



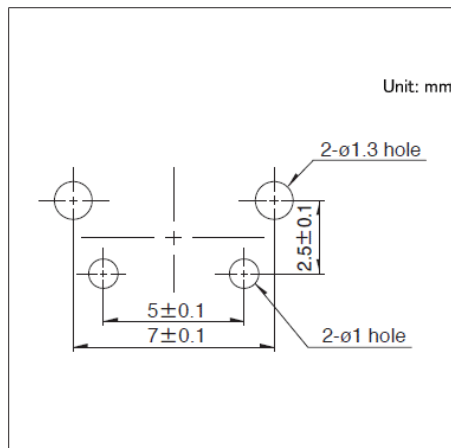
Viewed from mounting face.

Drawing No.3

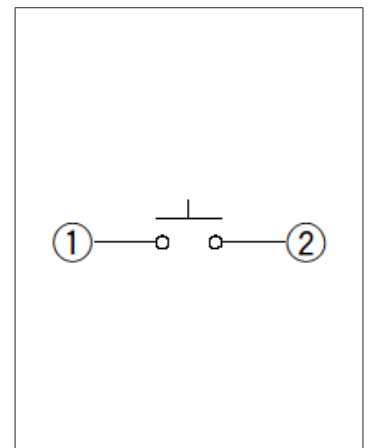
■ Dimensions



■ Mounting Hole Dimensions



■ Circuit Diagram



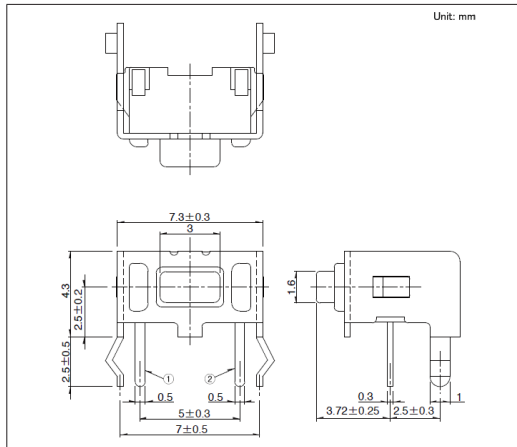
Viewed from mounting face.

TACT Switch™ Snap-in Type

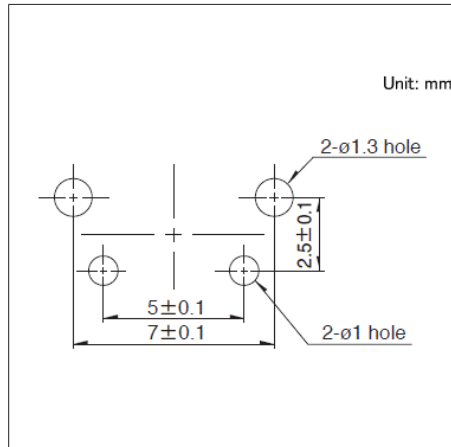
6.0×3.5mm (Snap-in)
SKHL Series

Drawing No.4

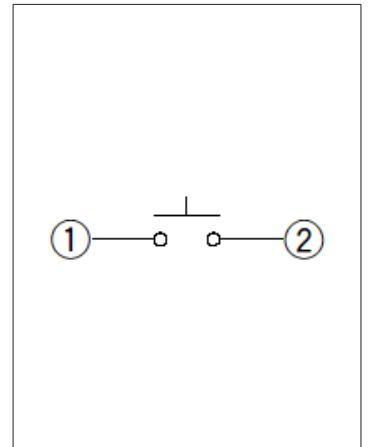
■ Dimensions



■ Mounting Hole Dimensions



■ Circuit Diagram

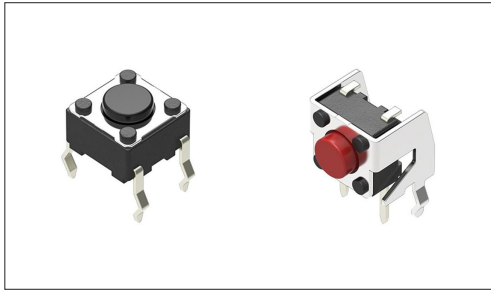


Viewed from mounting face.

TACT Switch™ Snap-in Type

6.0mm Square (Snap-in)
SKHH Series

Renowned for ease of use and wide product variety in a 6.0mm square type.


 Automotive

※Please check the product list for compatible products

- Series type: Sharp feeling type
- Rating (max.): 50mA 12V DC
- Rating (min.): 10μA 1V DC

Applications: Energy_Industrial: Industrial equipment
 Healthcare: Healthcare equipment, Analysis, test equipment
 Home: Office equipment
 Audio_TV: Visual, Audio, Pro audio
 Automotive: Navigation/audio systems, HVAC

■ Product List

Products No.	Type	Operating direction	Operating force (N)	Travel (mm)	Operating life (cycles)	Initial contact resistance	Dimensions (W×D×H) (mm)	Water-proof	Dust-proof	Automotive	Drawing No.
SKHHAJA010	Top push type	Top push	0.98	0.25	1,000,000	100mΩ max.	6.0×6.0×4.3	—	—	●	1
SKHHALA010		Top push	1.57	0.25	500,000	100mΩ max.	6.0×6.0×4.3	—	—	●	
SKHHAQA010		Top push	2.55	0.25	200,000	100mΩ max.	6.0×6.0×4.3	—	—	●	
SKHHAKA010		Top push	0.98	0.25	1,000,000	100mΩ max.	6.0×6.0×5.0	—	—	●	2
SKHHAMA010		Top push	1.57	0.25	500,000	100mΩ max.	6.0×6.0×5.0	—	—	●	
SKHHARA010		Top push	2.55	0.25	200,000	100mΩ max.	6.0×6.0×5.0	—	—	●	
SKHHCQA010		Top push	3.53	0.25	200,000	100mΩ max.	6.0×6.0×5.0	—	—	●	
SKHHCRA010		Top push	5.10	0.25	200,000	100mΩ max.	6.0×6.0×5.0	—	—	●	
SKHHBVA010		Top push	0.98	0.25	1,000,000	100mΩ max.	6.0×6.0×7.0	—	—	●	3
SKHHBWA010		Top push	1.57	0.25	500,000	100mΩ max.	6.0×6.0×7.0	—	—	●	
SKHHBYA010		Top push	2.55	0.25	200,000	100mΩ max.	6.0×6.0×7.0	—	—	●	
SKHHANA010		Top push	0.98	0.25	1,000,000	100mΩ max.	6.0×6.0×9.5	—	—	●	4
SKHHAPA010		Top push	1.57	0.25	500,000	100mΩ max.	6.0×6.0×9.5	—	—	●	
SKHHBSA010		Top push	2.55	0.25	200,000	100mΩ max.	6.0×6.0×9.5	—	—	●	
SKHHDTA010		Top push	0.98	0.25	1,000,000	100mΩ max.	6.0×6.0×13.0	—	—	●	5
SKHHDUA010		Top push	1.57	0.25	500,000	100mΩ max.	6.0×6.0×13.0	—	—	●	
SKHHDHA010	Top push	0.98	0.25	500,000	100mΩ max.	6.0×6.0×17.0	—	—	●	6	
SKHHDJA010	Top push	1.57	0.25	300,000	100mΩ max.	6.0×6.0×17.0	—	—	●		
SKHHCWA010	Joint stem type	Top push	0.98	0.25	1,000,000	100mΩ max.	6.0×6.0×7.3	—	—	●	7
SKHHDAA010		Top push	1.57	0.25	500,000	100mΩ max.	6.0×6.0×7.3	—	—	●	
SKHHDGA010		Top push	2.55	0.25	200,000	100mΩ max.	6.0×6.0×7.3	—	—	●	

TACT Switch™ Snap-in Type

6.0mm Square (Snap-in)
SKHH Series

Products No.	Type	Operating direction	Operating force (N)	Travel (mm)	Operating life (cycles)	Initial contact resistance	Dimensions (W×D×H) (mm)	Water-proof	Dust-proof	Automotive	Drawing No.		
SKHHPJA010	With ground terminal type	Top push	0.98	0.25	1,000,000	100mΩ max.	6.0×6.0×4.3	—	—	●	8		
SKHHPLA010		Top push	1.57	0.25	500,000	100mΩ max.	6.0×6.0×4.3	—	—	●			
SKHHPQA010		Top push	2.55	0.25	200,000	100mΩ max.	6.0×6.0×4.3	—	—	●			
SKHHPKA010		With ground terminal type	Top push	0.98	0.25	1,000,000	100mΩ max.	6.0×6.0×5.0	—	—	●	9	
SKHHPMA010			Top push	1.57	0.25	500,000	100mΩ max.	6.0×6.0×5.0	—	—	●		
SKHHPRA010			Top push	2.55	0.25	200,000	100mΩ max.	6.0×6.0×5.0	—	—	●		
SKHHQVA010			With ground terminal type	Top push	0.98	0.25	1,000,000	100mΩ max.	6.0×6.0×7.0	—	—	●	10
SKHHQWA010				Top push	1.57	0.25	500,000	100mΩ max.	6.0×6.0×7.0	—	—	●	
SKHHQYA010				Top push	2.55	0.25	200,000	100mΩ max.	6.0×6.0×7.0	—	—	●	
SKHHPNA010		With ground terminal type	Top push	0.98	0.25	1,000,000	100mΩ max.	6.0×6.0×9.5	—	—	●	11	
SKHHPPA010			Top push	1.57	0.25	500,000	100mΩ max.	6.0×6.0×9.5	—	—	●		
SKHHQNA010			Top push	2.55	0.25	200,000	100mΩ max.	6.0×6.0×9.5	—	—	●		
SKHHUFA010	Side push type	Side push	1.96	0.25	2,000,000	100mΩ max.	7.5×7.85×7.0	—	—	—	12		
SKHHLMA010		Side push	0.98	0.25	1,000,000	100mΩ max.	7.5×7.85×7.1	—	—	—	13		
SKHHLNA010		Side push	1.57	0.25	500,000	100mΩ max.	7.5×7.85×7.1	—	—	—			
SKHHLPA010		Side push	2.55	0.25	200,000	100mΩ max.	7.5×7.85×7.1	—	—	—			
SKHHLQA010		Side push type	Side push	0.98	0.25	1,000,000	100mΩ max.	7.5×12.35×7.1	—	—	—	14	
SKHHLRA010			Side push	1.57	0.25	500,000	100mΩ max.	7.5×12.35×7.1	—	—	—		
SKHHLSA010			Side push	2.55	0.25	200,000	100mΩ max.	7.5×12.35×7.1	—	—	—		
SKHHLUA010			Side push type	Side push	0.98	0.25	1,000,000	100mΩ max.	7.5×9.85×7.1	—	—	—	15
SKHHLVA010				Side push	1.57	0.25	500,000	100mΩ max.	7.5×9.85×7.1	—	—	—	
SKHHLWA010				Side push	2.55	0.25	200,000	100mΩ max.	7.5×9.85×7.1	—	—	—	
SKHHNHA010		Side push type	Side push	0.98	0.25	500,000	100mΩ max.	7.5×19.85×7.1	—	—	—	16	
SKHHNJA010			Side push	1.57	0.25	300,000	100mΩ max.	7.5×19.85×7.1	—	—	—		
SKHHNKA010			Side push	2.55	0.25	200,000	100mΩ max.	7.5×19.85×7.1	—	—	—		
SKHHNKA010			Side push	2.55	0.25	200,000	100mΩ max.	7.5×19.85×7.1	—	—	—		

 Note

1. This catalog shows only outline specifications. When using the products, please obtain formal specifications for supply.
2. Please use 1.6mm thick PC boards.
3. Please place purchase orders per minimum order unit (integer).

TACT Switch™ Snap-in Type

6.0mm Square (Snap-in)
SKHH Series

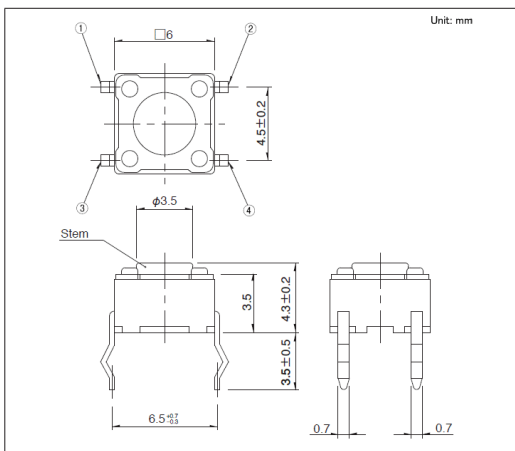
■ Packing Specifications

Bulk

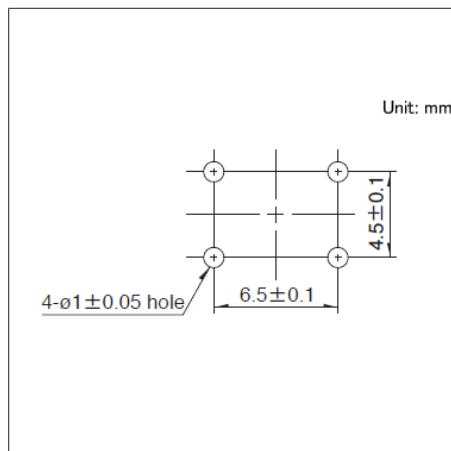
Products No.	Number of packages(pcs.)		Export package measurements (mm)
	1 case / Japan	1 case / export packing	
SKHHAJA010 SKHHALA010 SKHHAQA010 SKHHAKA010 SKHHAMA010 SKHHARA010 SKHHCA010 SKHHCRA010 SKHHBVA010 SKHHBWA010 SKHHBYA010 SKHHANA010 SKHHAPA010 SKHHBSA010 SKHHCWA010 SKHHDA010 SKHHGA010 SKHHJA010 SKHHPLA010 SKHHQA010 SKHHKA010 SKHHMA010 SKHHRA010 SKHHQA010 SKHHQA010 SKHHQA010 SKHHNA010 SKHHPA010 SKHHQA010 SKHHQA010 SKHHLMA010 SKHHLNA010 SKHHLPA010 SKHHLQA010 SKHHLRA010 SKHHLSA010 SKHHLUA010 SKHHLVA010 SKHHLWA010 SKHHUFA010	10,000	30,000	309 x 476 x 347
SKHHDTA010 SKHHDUA010 SKHHDHA010 SKHHDJA010 SKHHNHA010 SKHHNJA010 SKHHNKA010	5,000	15,000	309 x 476 x 347

Drawing No.1

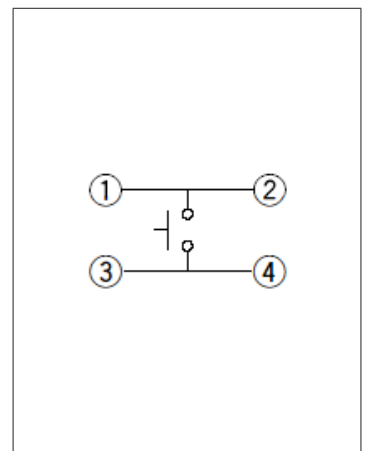
■ Dimensions



■ Mounting Hole Dimensions



■ Circuit Diagram



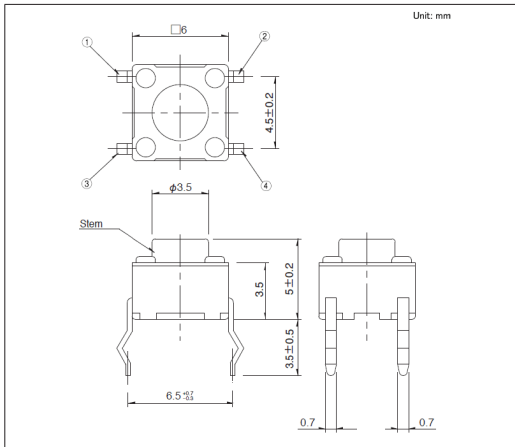
Viewed from mounting face.

TACT Switch™ Snap-in Type

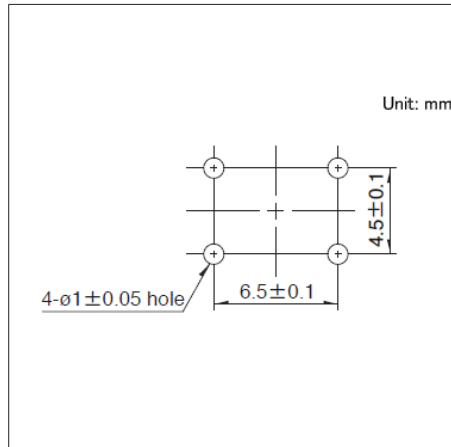
6.0mm Square (Snap-in)
SKHH Series

Drawing No.2

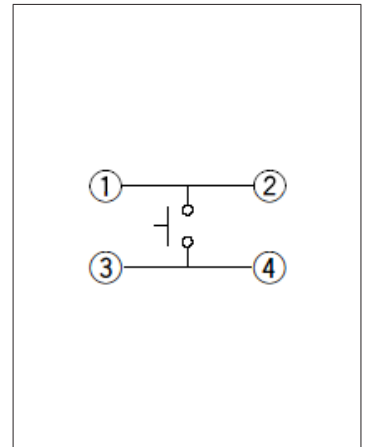
■ Dimensions



■ Mounting Hole Dimensions



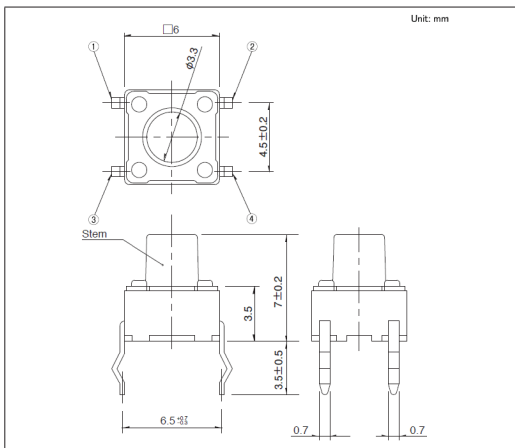
■ Circuit Diagram



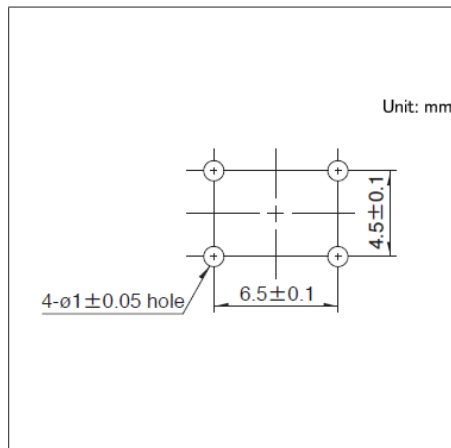
Viewed from mounting face.

Drawing No.3

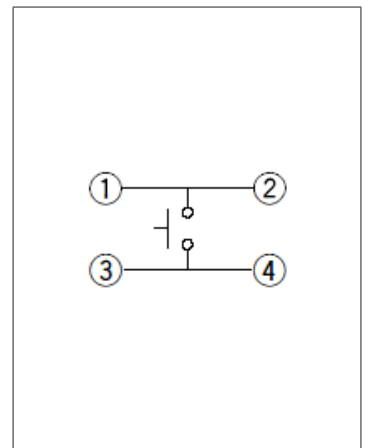
■ Dimensions



■ Mounting Hole Dimensions



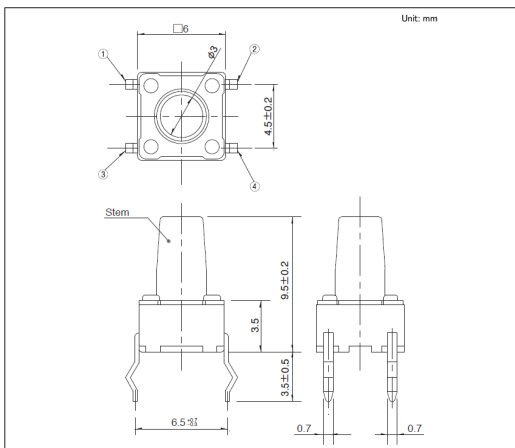
■ Circuit Diagram



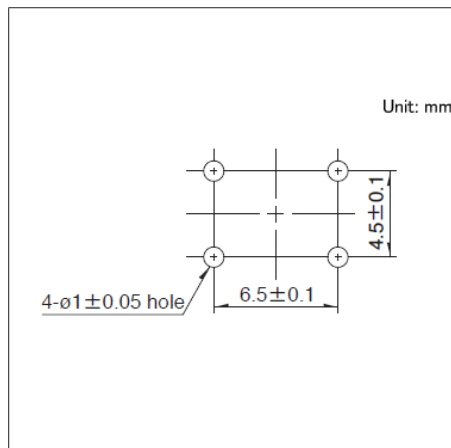
Viewed from mounting face.

Drawing No.4

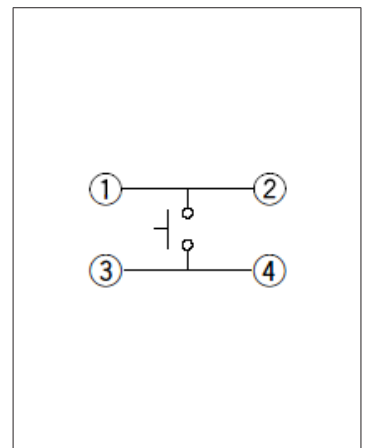
■ Dimensions



■ Mounting Hole Dimensions



■ Circuit Diagram



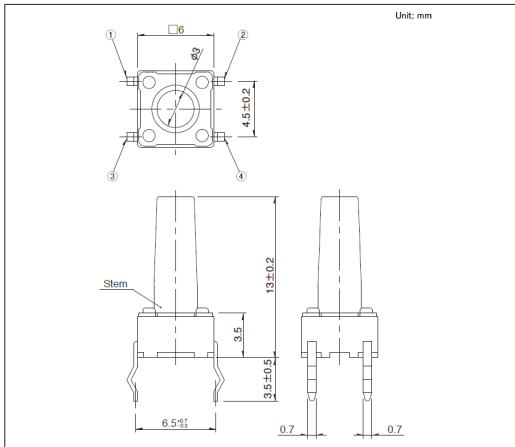
Viewed from mounting face.

TACT Switch™ Snap-in Type

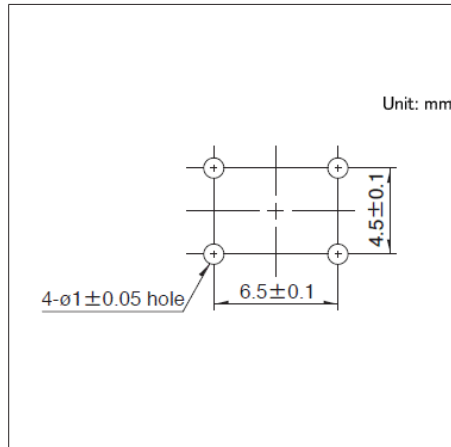
6.0mm Square (Snap-in)
SKHH Series

Drawing No.5

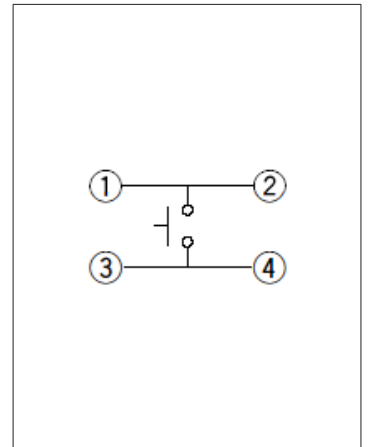
■ Dimensions



■ Mounting Hole Dimensions



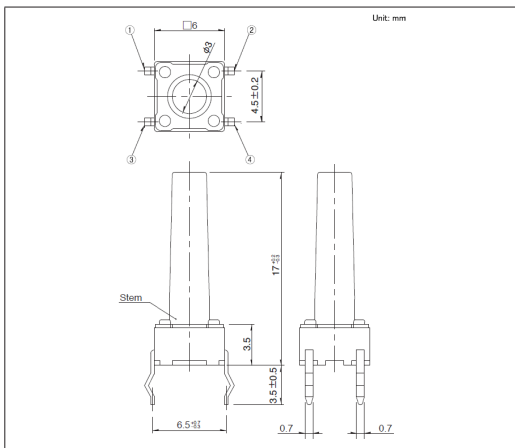
■ Circuit Diagram



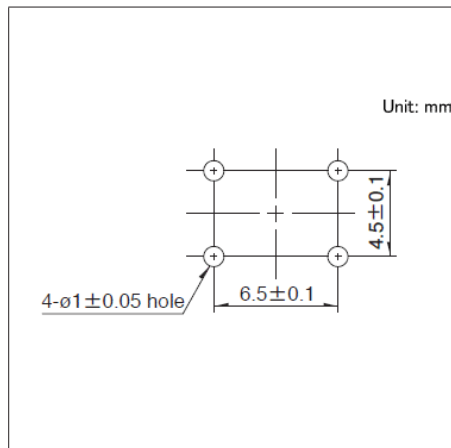
Viewed from mounting face.

Drawing No.6

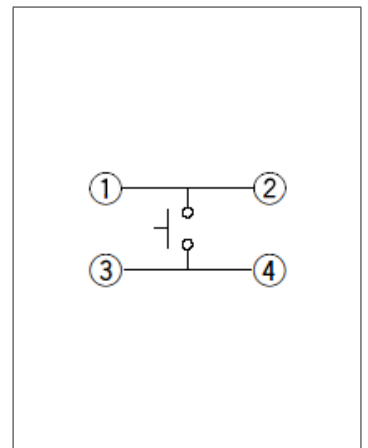
■ Dimensions



■ Mounting Hole Dimensions



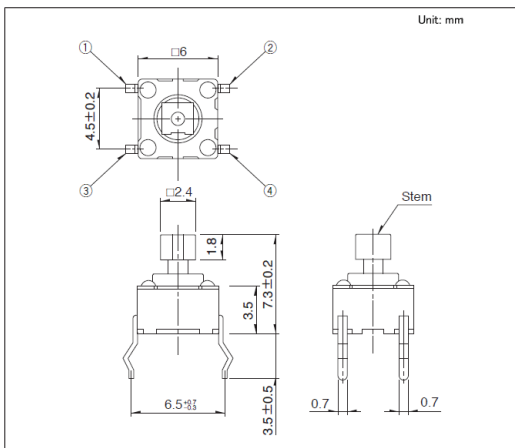
■ Circuit Diagram



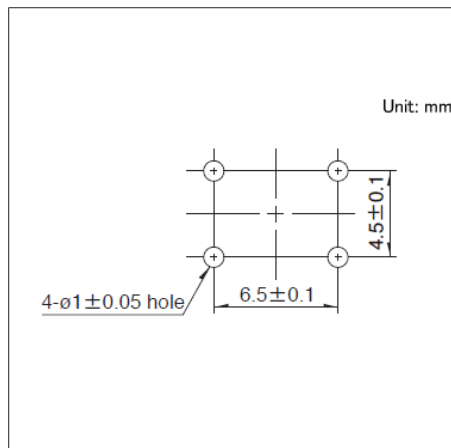
Viewed from mounting face.

Drawing No.7

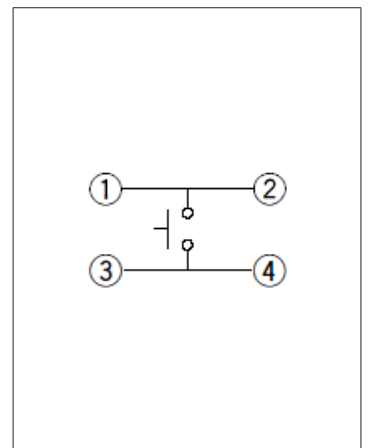
■ Dimensions



■ Mounting Hole Dimensions



■ Circuit Diagram



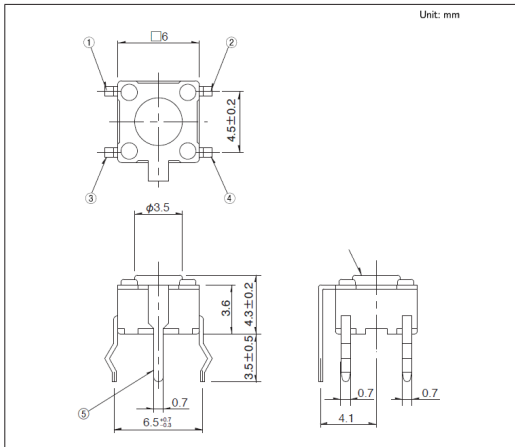
Viewed from mounting face.

TACT Switch™ Snap-in Type

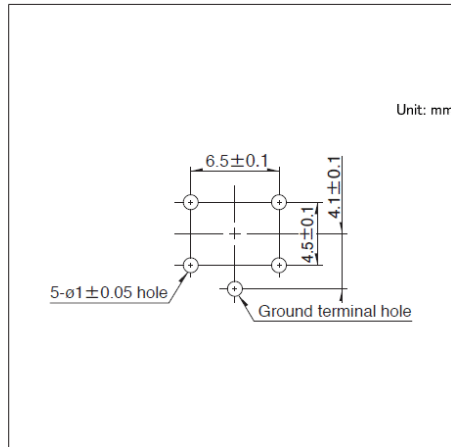
6.0mm Square (Snap-in)
SKHH Series

Drawing No.8

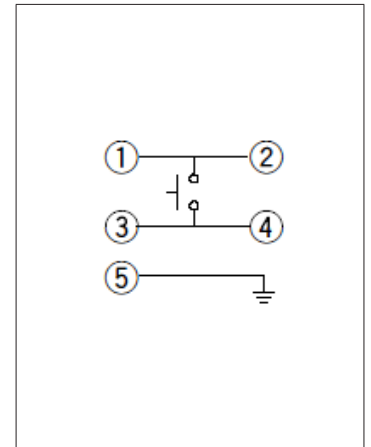
■ Dimensions



■ Mounting Hole Dimensions



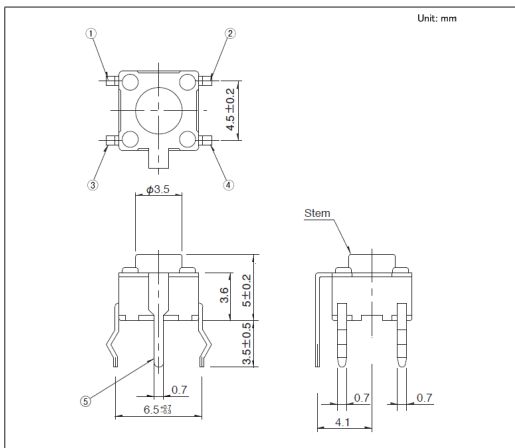
■ Circuit Diagram



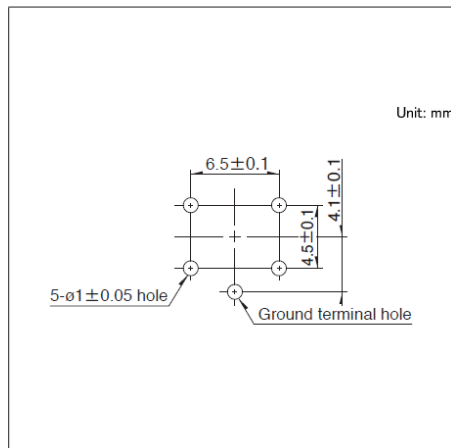
Viewed from mounting face.

Drawing No.9

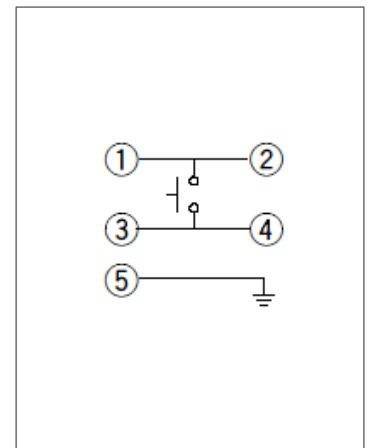
■ Dimensions



■ Mounting Hole Dimensions



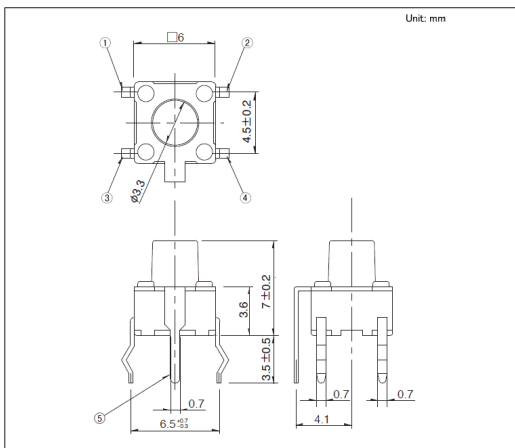
■ Circuit Diagram



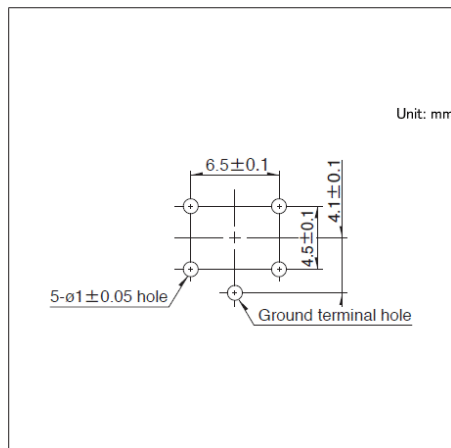
Viewed from mounting face.

Drawing No.10

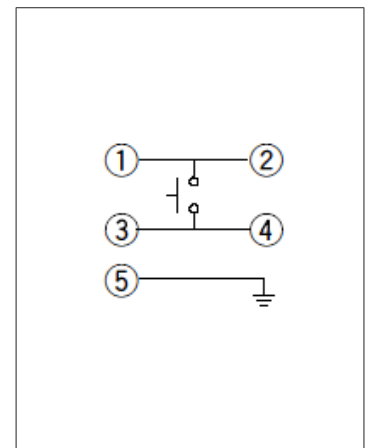
■ Dimensions



■ Mounting Hole Dimensions



■ Circuit Diagram



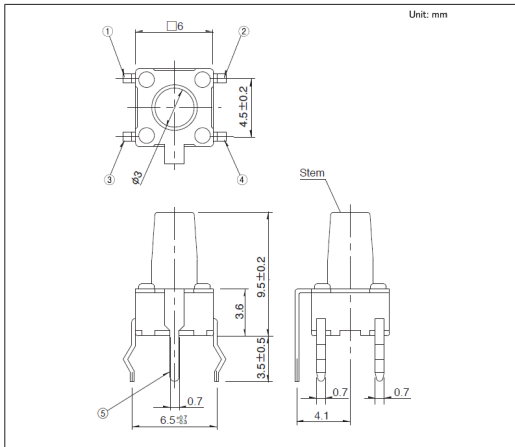
Viewed from mounting face.

TACT Switch™ Snap-in Type

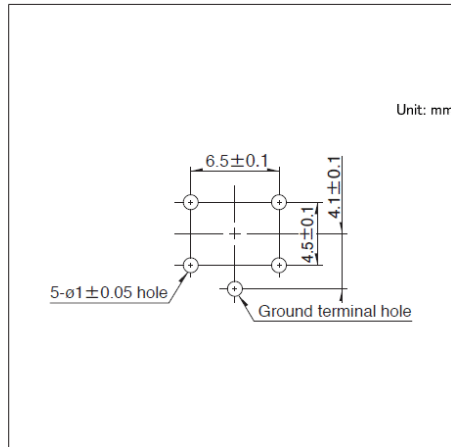
6.0mm Square (Snap-in)
SKHH Series

Drawing No.11

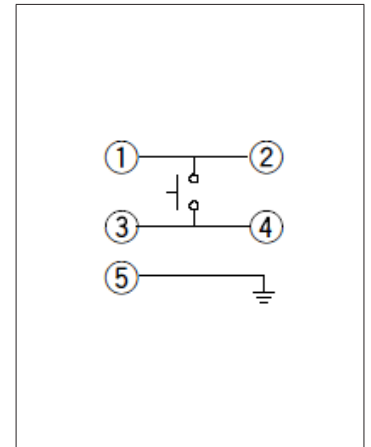
■ Dimensions



■ Mounting Hole Dimensions



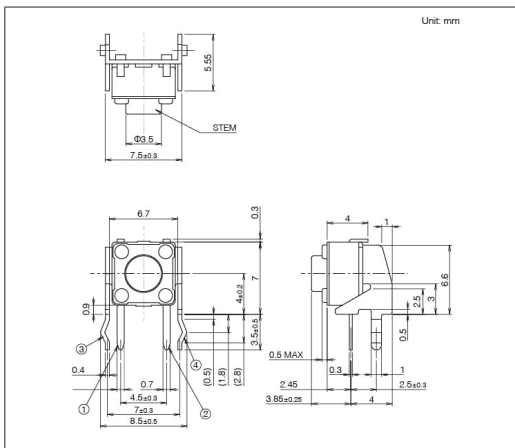
■ Circuit Diagram



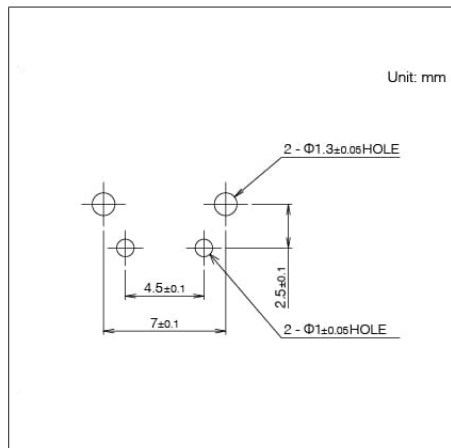
Viewed from mounting face.

Drawing No.12

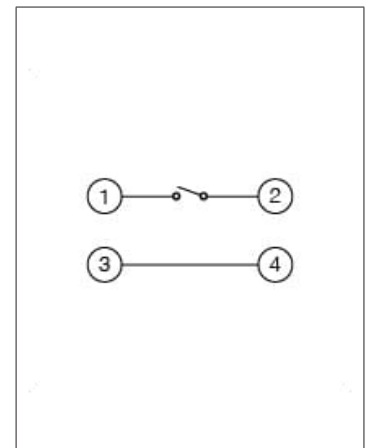
■ Dimensions



■ Mounting Hole Dimensions



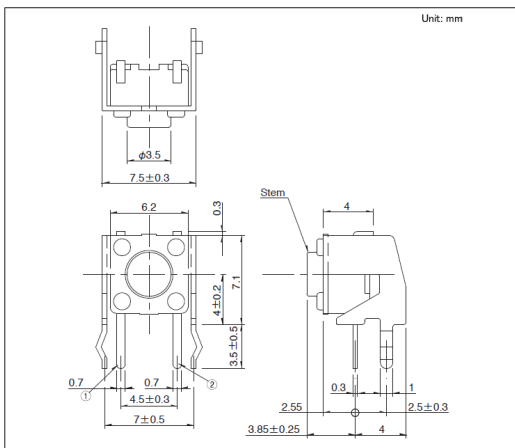
■ Circuit Diagram



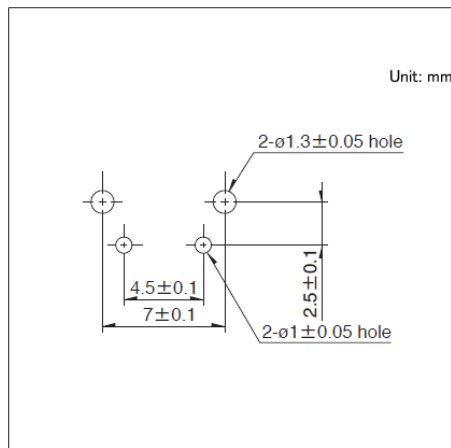
Viewed from mounting face.

Drawing No.13

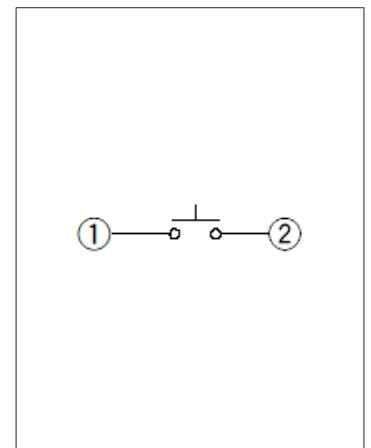
■ Dimensions



■ Mounting Hole Dimensions



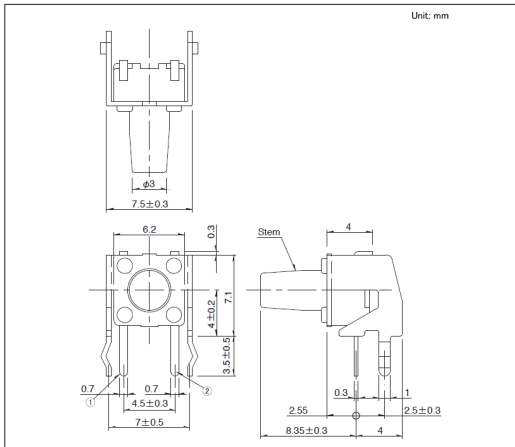
■ Circuit Diagram



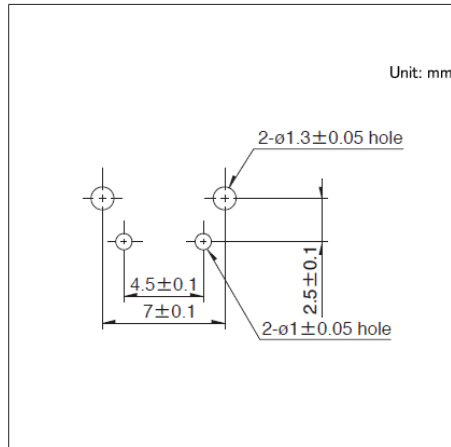
Viewed from mounting face.

Drawing No.14

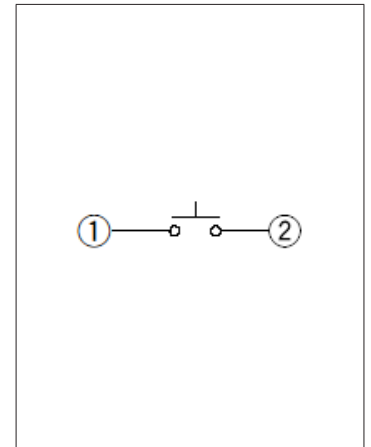
■ Dimensions



■ Mounting Hole Dimensions



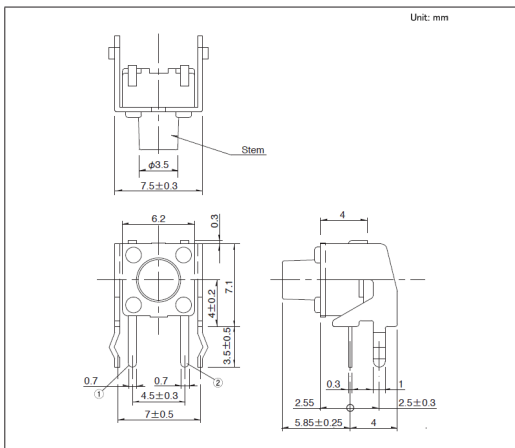
■ Circuit Diagram



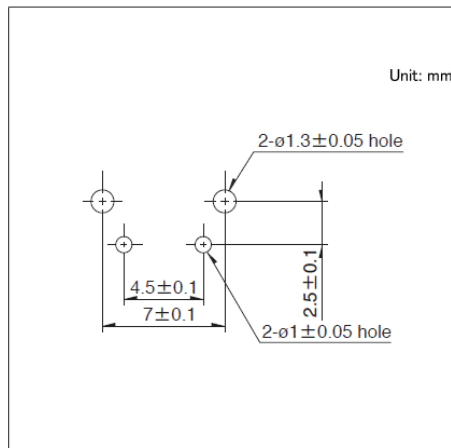
Viewed from mounting face.

Drawing No.15

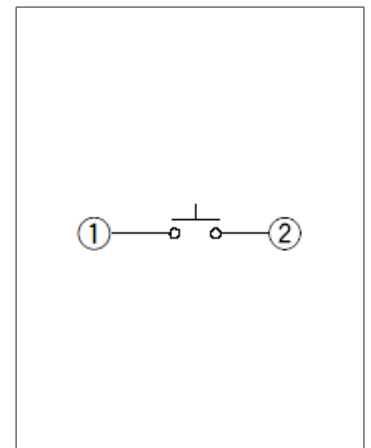
■ Dimensions



■ Mounting Hole Dimensions



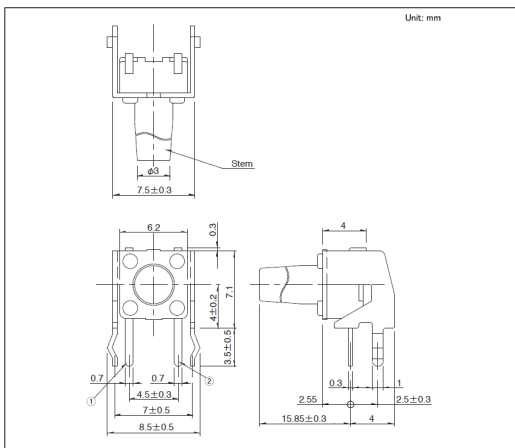
■ Circuit Diagram



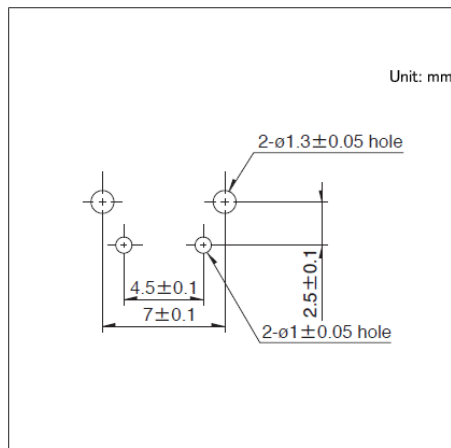
Viewed from mounting face.

Drawing No.16

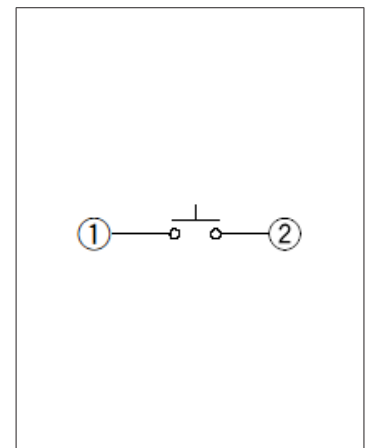
■ Dimensions



■ Mounting Hole Dimensions



■ Circuit Diagram



Viewed from mounting face.

TACT Switch™ Snap-in Type

6.0mm Square Dust-proof (Snap-in) SKHW Series

Supports a wide range of devices with unique dust-proof structure and sharp operation feel.

 Dust-proof Type



- Series type: Sharp feeling type
- Rating (max.): 50mA 12V DC
- Rating (min.): 10μA 1V DC

Applications: Energy_Industrial: Industrial equipment
Healthcare: Healthcare equipment, Analysis, test equipment
Home: Major home appliances, Office equipment
Audio_TV: Visual, Audio, Pro audio

Product List

Products No.	Operating direction	Operating force (N)	Travel (mm)	Operating life (cycles)	Initial contact resistance	Dimensions (W×D×H) (mm)	Water-proof	Dust-proof	Automotive	Drawing No.
SKHWALA010	Top push	1.57	0.3	1,000,000	100mΩ max.	6.0×6.0×4.3	—	●	—	1
SKHWARA010	Top push	2.55	0.3	500,000	100mΩ max.	6.0×6.0×4.3	—	●	—	
SKHWAPA010	Top push	1.57	0.3	1,000,000	100mΩ max.	6.0×6.0×5.0	—	●	—	2
SKHWQA010	Top push	2.55	0.3	500,000	100mΩ max.	6.0×6.0×5.0	—	●	—	

Note

1. This catalog shows only outline specifications. When using the products, please obtain formal specifications for supply.
2. Please use 1.6mm thick PC boards.
3. Please place purchase orders per minimum order unit (integer).

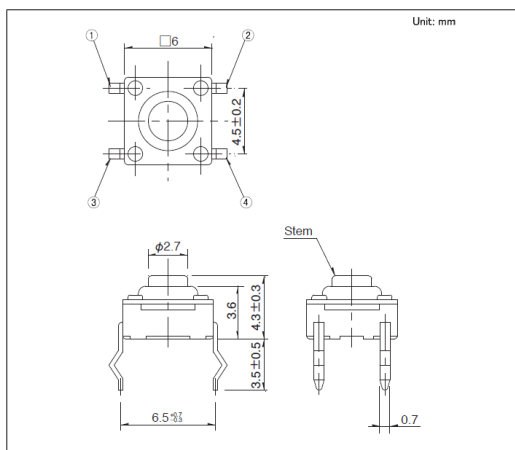
Packing Specifications

Bulk

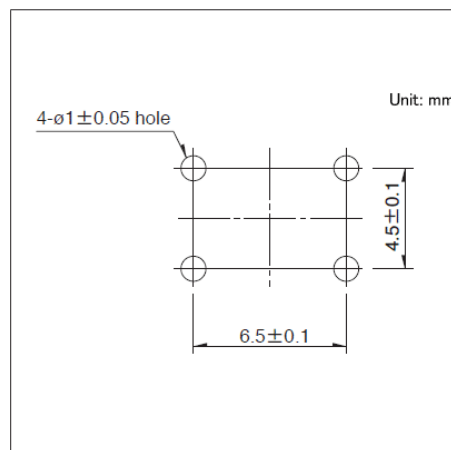
Number of packages (pcs.)		Export package measurements (mm)
1 case / Japan	1 case / export packing	
10,000	30,000	309 x 476 x 347

Drawing No. 1

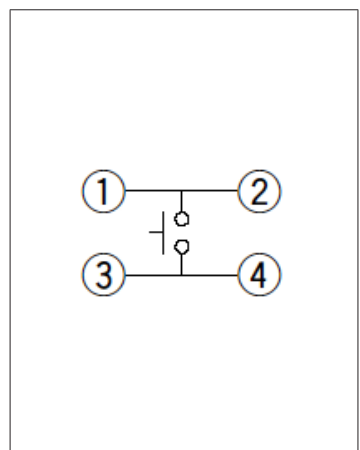
Dimensions



Mounting Hole Dimensions



Circuit Diagram

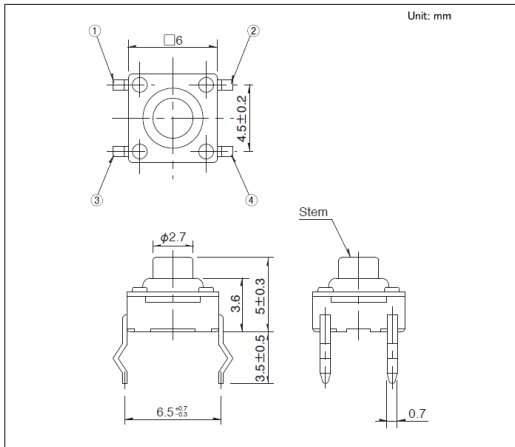


Viewed from mounting face.

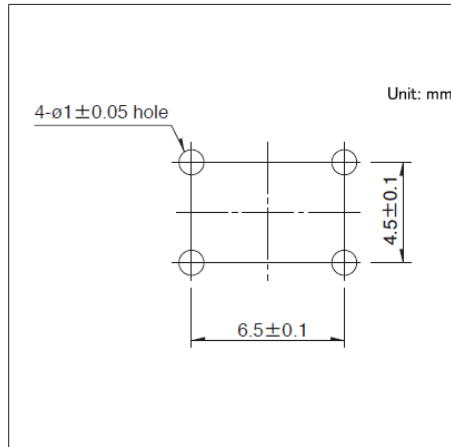
TACT Switch™ Snap-in Type
6.0mm Square Dust-proof (Snap-in)
SKHW Series

Drawing No.2

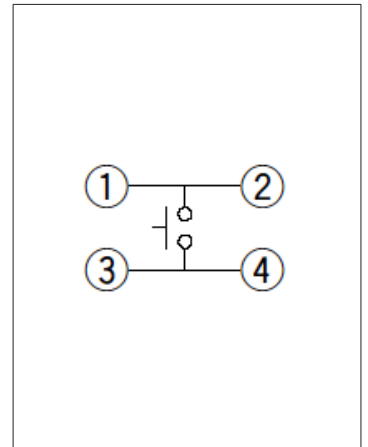
■ Dimensions



■ Mounting Hole Dimensions



■ Circuit Diagram

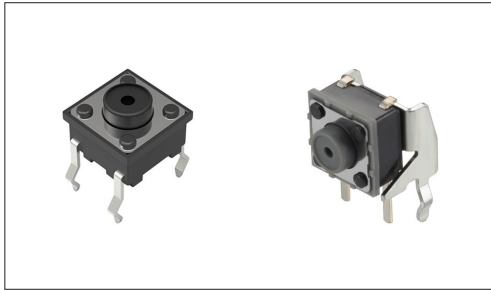


Viewed from mounting face.

TACT Switch™ Snap-in Type

6.6mm Square (Snap-in) SKQJ Series

Simple dust-proof type with sharp operation feel and excellent versatility.



 Dust-proof Type

- Series type: Sharp feeling type
- Rating (max.): 50mA 12V DC
- Rating (min.): 10 μ A 1V DC

Applications: Energy_Industrial: Industrial equipment
Healthcare: Healthcare equipment, Analysis, test equipment
Home: Major home appliances, Office equipment
Audio_TV: Visual, Audio, Pro audio

■ Product List

Products No.	Type	Operating direction	Operating force (N)	Travel (mm)	Operating life (cycles)	Initial contact resistance	Dimensions (WxDxH) (mm)	Water-proof	Dust-proof	Automotive	Drawing No.
SKQJAAA010	Top push type	Top push	0.98	0.25	1,000,000	100m Ω max.	6.6×6.6×5.0	—	●	—	1
SKQJABA010		Top push	1.57	0.25	500,000	100m Ω max.	6.6×6.6×5.0	—	●	—	
SKQJADA010		Top push	0.98	0.25	1,000,000	100m Ω max.	6.6×6.6×7.0	—	●	—	2
SKQJAEA010		Top push	1.57	0.25	500,000	100m Ω max.	6.6×6.6×7.0	—	●	—	
SKQJAJA010		Top push	0.98	0.25	200,000	100m Ω max.	6.6×6.6×9.5	—	●	—	3
SKQJAKA010		Top push	1.57	0.25	200,000	100m Ω max.	6.6×6.6×9.5	—	●	—	
SKQJLAA010	Side push type	Side push	0.98	0.25	1,000,000	100m Ω max.	7.5×7.85×7.0	—	●	—	4
SKQJLBA010		Side push	1.57	0.25	500,000	100m Ω max.	7.5×7.85×7.0	—	●	—	

Note

1. This catalog shows only outline specifications. When using the products, please obtain formal specifications for supply.
2. Please use 1.6mm thick PC boards.
3. Please place purchase orders per minimum order unit (integer).

■ Packing Specifications

Bulk

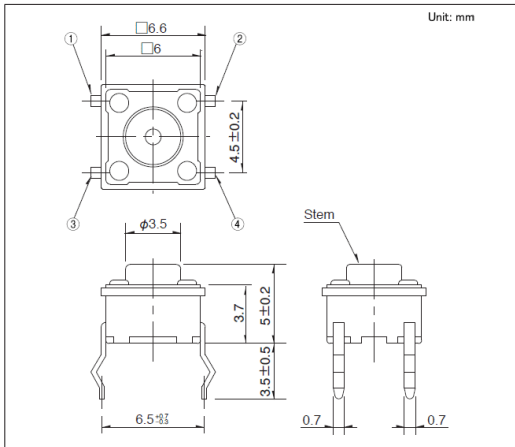
Number of packages (pcs.)		Export package measurements (mm)
1 case / Japan	1 case / export packing	
10,000	30,000	309 x 476 x 347

TACT Switch™ Snap-in Type

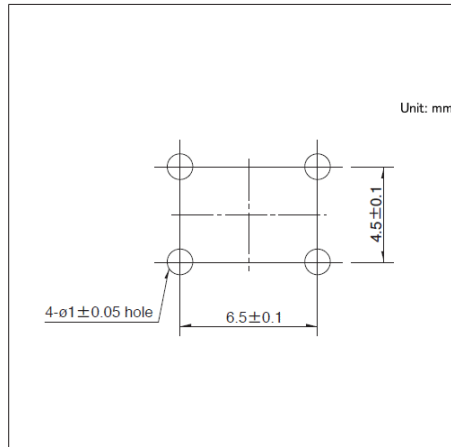
6.6mm Square (Snap-in)
SKQJ Series

Drawing No.1

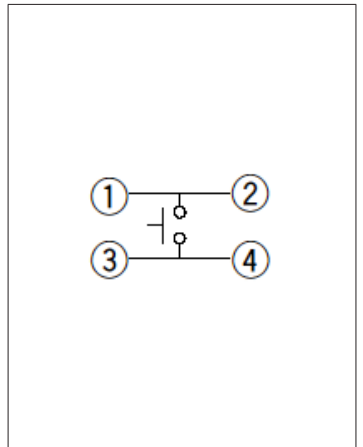
■ Dimensions



■ Mounting Hole Dimensions



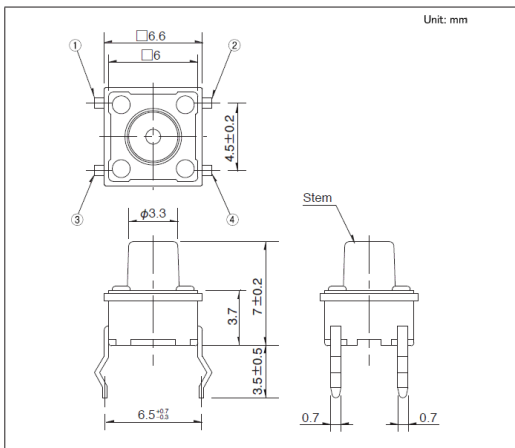
■ Circuit Diagram



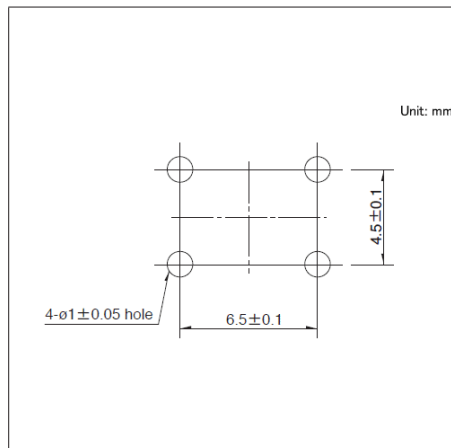
Viewed from mounting face.

Drawing No.2

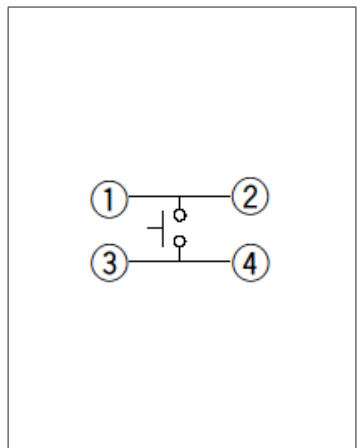
■ Dimensions



■ Mounting Hole Dimensions



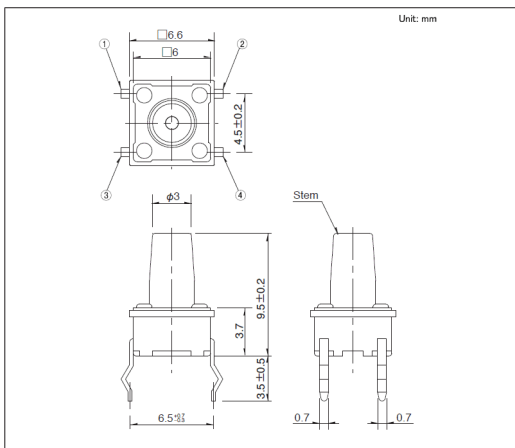
■ Circuit Diagram



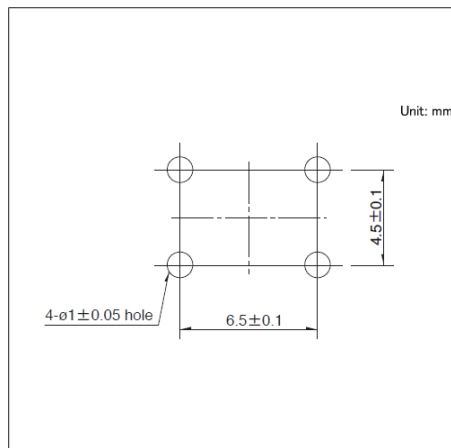
Viewed from mounting face.

Drawing No.3

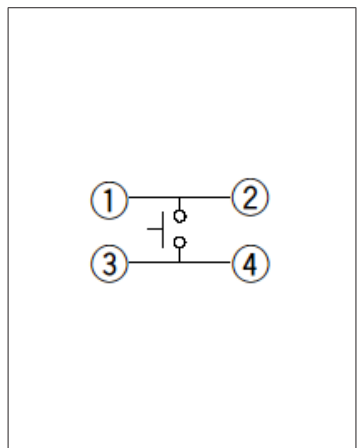
■ Dimensions



■ Mounting Hole Dimensions



■ Circuit Diagram



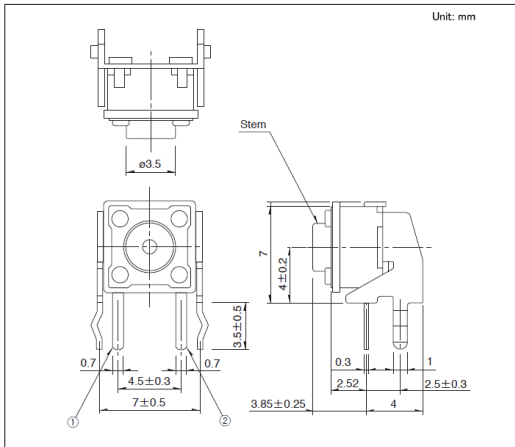
Viewed from mounting face.

TACT Switch™ Snap-in Type

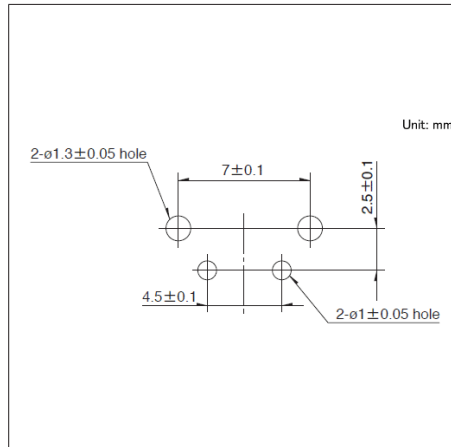
6.6mm Square (Snap-in)
SKQJ Series

Drawing No.4

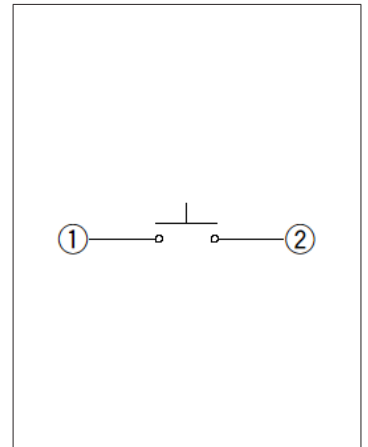
■ Dimensions



■ Mounting Hole Dimensions



■ Circuit Diagram

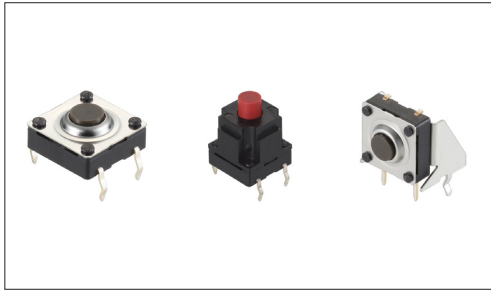


Viewed from mounting face.

TACT Switch™ Snap-in Type

10mm Square (Snap-in) SKQB Series

Excellent water-proof and dust-proof structure, suitable for water-related household appliances.



Automotive

Water-proof Type

Dust-proof Type

- Series type: Sharp feeling type
- Rating (max.): 50mA 12V DC
- Rating (min.): 10μA 1V DC

Applications: Energy_Industrial: Industrial equipment
 Healthcare: Healthcare equipment, Analysis, test equipment
 Home: Major home appliances, Office equipment
 Automotive: Hood Latch (Side/Rear/Door/Gear),
 Navigation/audio systems, HVAC,
 Overhead consoles, Steering, Shifter

Product List

Products No.	Type	Operating direction	Operating force (N)	Travel (mm)	Operating life (cycles)	Initial contact resistance	Dimensions (W×D×H) (mm)	Water-proof	Dust-proof	Water-proof & Dust-proof	Automotive	Drawing No.
SKQBARA010	Top push type	Top push	1.57	0.3	100,000	500mΩ max.	10.0×10.0×5.0	●	●	Conditions: Coating the terminals	●	1
SKQBASA010		Top push	2.55	0.3	100,000	500mΩ max.	10.0×10.0×5.0	●	●	Conditions: Coating the terminals	●	
SKQBAPA010		Top push	1.57	0.3	100,000	500mΩ max.	10.0×10.0×13.0	●	●	Conditions: Coating the terminals	●	2
SKQBAJA010		Top push	2.55	0.3	100,000	500mΩ max.	10.0×10.0×13.0	●	●	Conditions: Coating the terminals	●	
SKQBAQA010		Top push	1.57	0.3	100,000	500mΩ max.	10.0×10.0×23.2	●	●	Conditions: Coating the terminals	●	3
SKQBAMA010		Top push	2.55	0.3	100,000	500mΩ max.	10.0×10.0×23.2	●	●	Conditions: Coating the terminals	●	
SKQBLBA010	Side push type	Side push	1.57	0.3	100,000	500mΩ max.	11.5×11.9×11.0	●	●	Conditions: Coating the terminals	●	4

Note

1. This catalog shows only outline specifications. When using the products, please obtain formal specifications for supply.
2. Switch terminals must be coated thoroughly until the terminals are fully covered.
3. When the switch is used in an environment subject to high humidity or condensation, make sure the terminals are coated thoroughly to prevent current leakage between terminals.
4. Avoid using coating material coating toluene or xylene. For more information on coating material, please contact us.
5. Please use 1.6mm thick PC boards.
6. Please place purchase orders per minimum order unit (integer).

Packing Specifications

Bulk

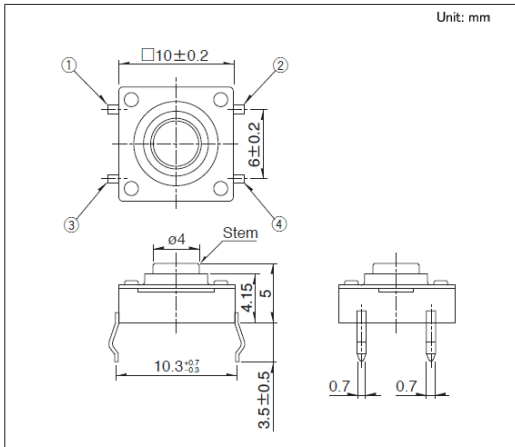
Products No.	Number of packages(pcs.)		Export package measurements (mm)
	1 case / Japan	1 case / export packing	
SKQBARA010 SKQBASA010 SKQBAPA010 SKQBAJA010 SKQBLBA010	4,000	12,000	309 x 476 x 347
SKQBAQA010 SKQBAMA010	2,000	6,000	309 x 476 x 347

TACT Switch™ Snap-in Type

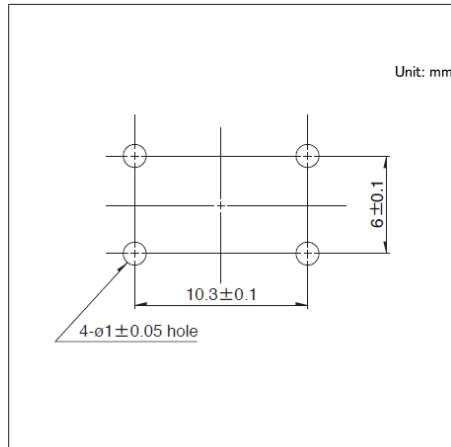
10mm Square (Snap-in)
SKQB Series

Drawing No.1

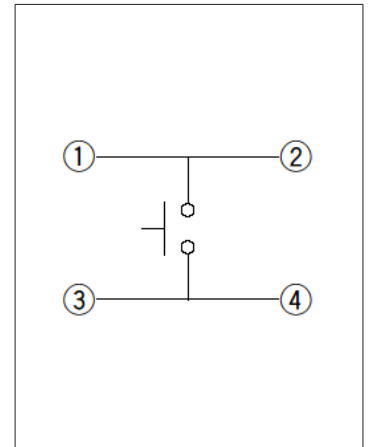
■ Dimensions



■ Mounting Hole Dimensions



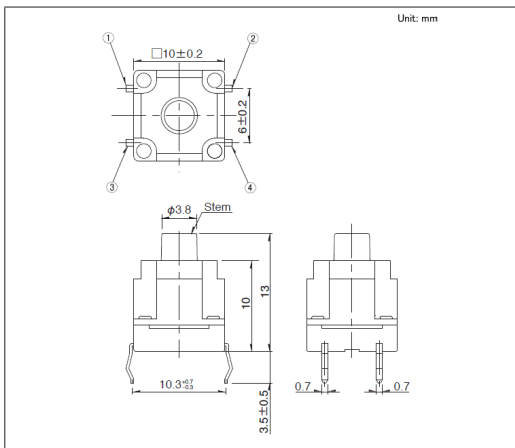
■ Circuit Diagram



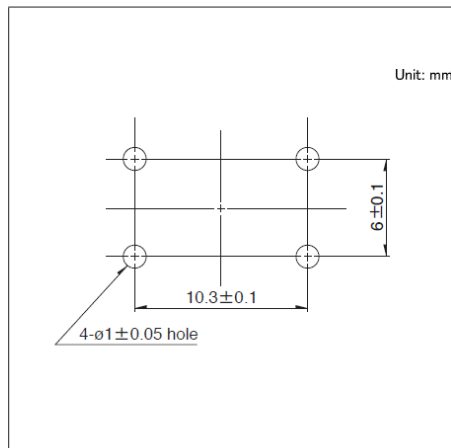
Viewed from mounting face.

Drawing No.2

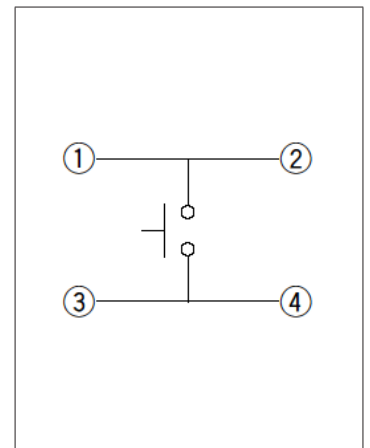
■ Dimensions



■ Mounting Hole Dimensions



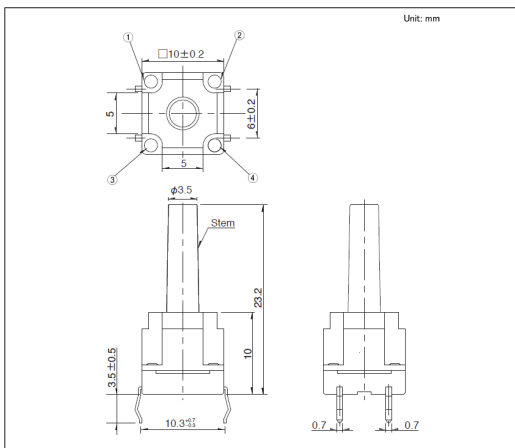
■ Circuit Diagram



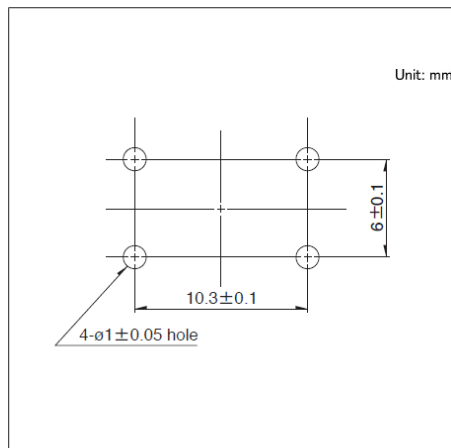
Viewed from mounting face.

Drawing No.3

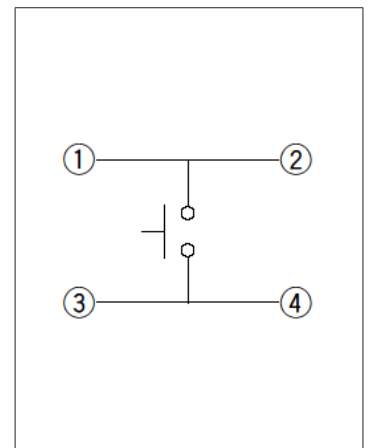
■ Dimensions



■ Mounting Hole Dimensions



■ Circuit Diagram



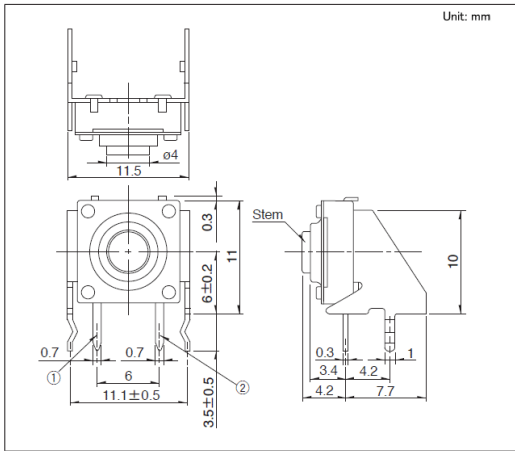
Viewed from mounting face.

TACT Switch™ Snap-in Type

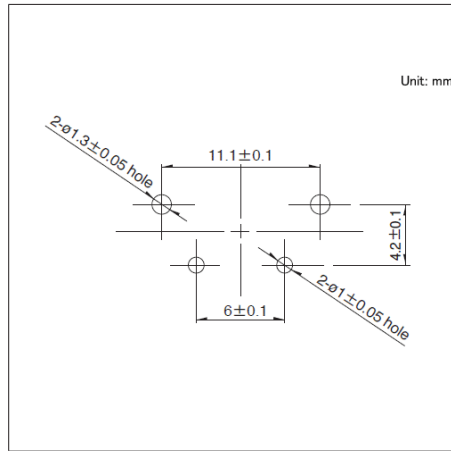
10mm Square (Snap-in)
SKQB Series

Drawing No.4

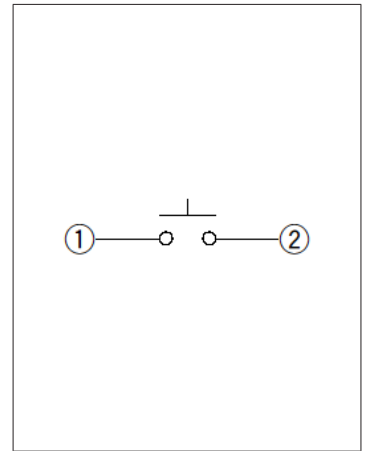
■ Dimensions



■ Mounting Hole Dimensions



■ Circuit Diagram



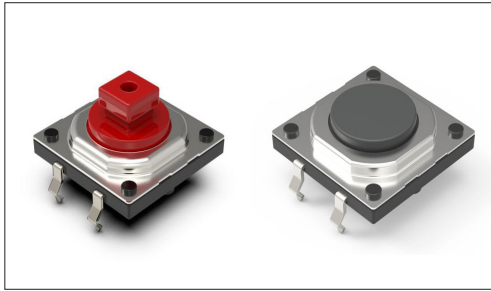
Viewed from mounting face.

TACT Switch™ Snap-in Type

12mm Square (Snap-in) SKQE Series

Long-life type with unique dust-proof structure and high-reliability metal contacts, capable of 10 million operations.

 Dust-proof Type



- Series type: Sharp feeling type
- Rating (max.): 50mA 12V DC
- Rating (min.): 10μA 1V DC

Applications: Energy_Industrial: Industrial equipment
Home: Major home appliances, Office equipment

Product List

Products No.	Operating direction	Operating force (N)	Travel (mm)	Operating life (cycles)	Initial contact resistance	Stem	Dimensions (W×D×H) (mm)	Water-proof	Dust-proof	Automotive	Drawing No.
SKQEAAA010	Top push	1.57	0.3	10,000,000	100mΩ max.	Joint stem	12.0×12.0×7.3	—	●	—	1
SKQEACA010	Top push	2.55	0.3	10,000,000	100mΩ max.	Joint stem	12.0×12.0×7.3	—	●	—	
SKQEABA010	Top push	1.57	0.3	10,000,000	100mΩ max.	Flat stem	12.0×12.0×4.3	—	●	—	2
SKQEADA010	Top push	2.55	0.3	10,000,000	100mΩ max.	Flat stem	12.0×12.0×4.3	—	●	—	

Note

1. This catalog shows only outline specifications. When using the products, please obtain formal specifications for supply.
2. Please use 1.6mm thick PC boards.
3. Please place purchase orders per minimum order unit (integer).

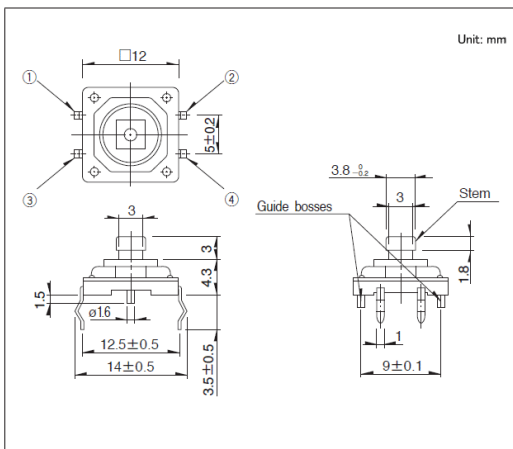
Packing Specifications

Bulk

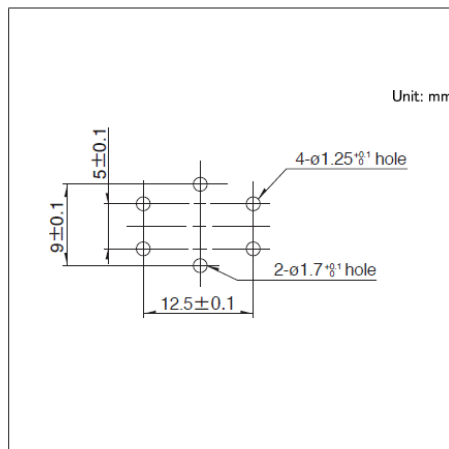
Number of packages (pcs.)		Export package measurements (mm)
1 case / Japan	1 case / export packing	
4,000	12,000	309 x 476 x 347

Drawing No.1

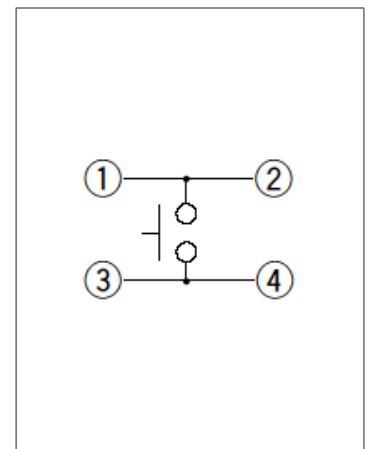
Dimensions



Mounting Hole Dimensions



Circuit Diagram



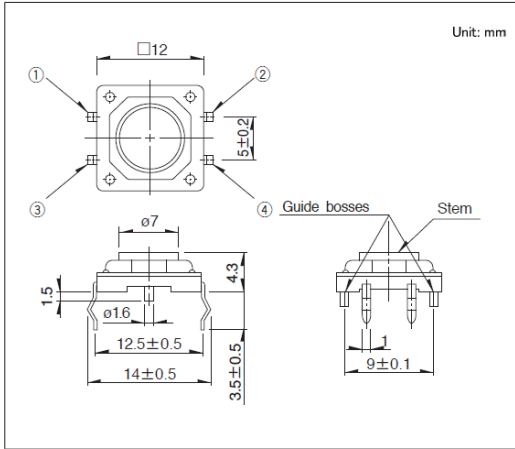
Viewed from mounting face.

TACT Switch™ Snap-in Type

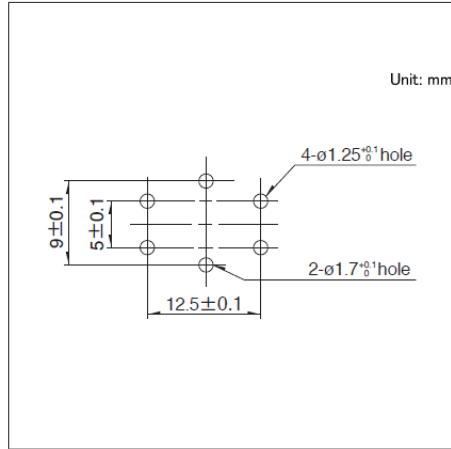
12mm Square (Snap-in)
SKQE Series

Drawing No.2

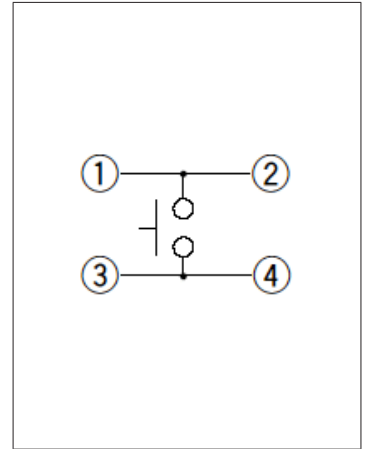
■ Dimensions



■ Mounting Hole Dimensions



■ Circuit Diagram



Viewed from mounting face.

TACT Switch™ Snap-in Type

12mm Square (Snap-in) SKHC Series

Features stable operation feel with joint stem and flat stem designs.



- Series type: Sharp feeling type
- Rating (max.): 50mA 12V DC
- Rating (min.): 10 μ A 1V DC

Applications: Energy_Industrial: Industrial equipment
Home: Office equipment

Product List

Products No.	Operating direction	Operating force (N)	Travel (mm)	Operating life (cycles)	Initial contact resistance	Stem	Dimensions (W×D×H) (mm)	Water-proof	Dust-proof	Automotive	Drawing No.
SKHCBJA010	Top push	0.74	0.3	500,000	100m Ω max.	Joint stem	12.0×12.0×7.3	—	—	—	1
SKHCBEA010	Top push	1.27	0.3	1,000,000	100m Ω max.	Joint stem	12.0×12.0×7.3	—	—	—	
SKHCBLA010	Top push	1.27	0.3	3,000,000	100m Ω max.	Joint stem	12.0×12.0×7.3	—	—	—	
SKHCBGA010	Top push	2.55	0.3	500,000	100m Ω max.	Joint stem	12.0×12.0×7.3	—	—	—	
SKHCBKA010	Top push	0.74	0.3	500,000	100m Ω max.	Flat stem	12.0×12.0×4.3	—	—	—	2
SKHCBFA010	Top push	1.27	0.3	1,000,000	100m Ω max.	Flat stem	12.0×12.0×4.3	—	—	—	
SKHCBMA010	Top push	1.27	0.3	3,000,000	100m Ω max.	Flat stem	12.0×12.0×4.3	—	—	—	
SKHCBHA010	Top push	2.55	0.3	500,000	100m Ω max.	Flat stem	12.0×12.0×4.3	—	—	—	

Note

1. This catalog shows only outline specifications. When using the products, please obtain formal specifications for supply.
2. Please use 1.6mm thick PC boards.
3. Please place purchase orders per minimum order unit (integer).

Packing Specifications

Bulk

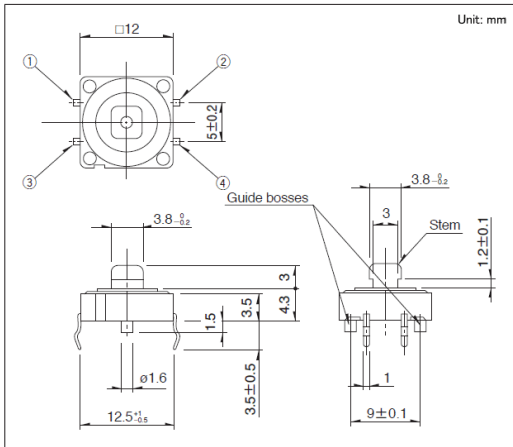
Number of packages (pcs.)		Export package measurements (mm)
1 case / Japan	1 case / export packing	
5,000	15,000	309 x 476 x 347

TACT Switch™ Snap-in Type

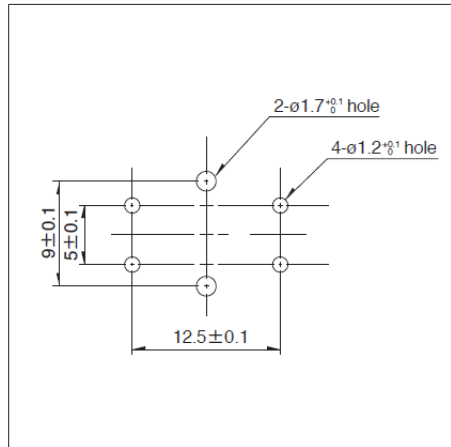
12mm Square (Snap-in)
SKHC Series

Drawing No.1

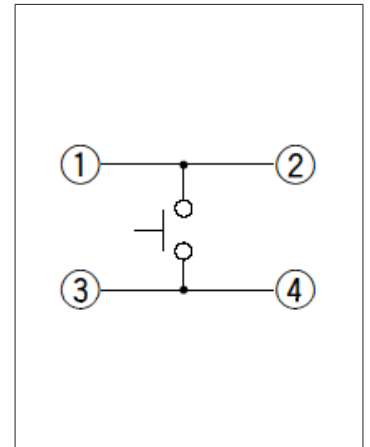
■ Dimensions



■ Mounting Hole Dimensions



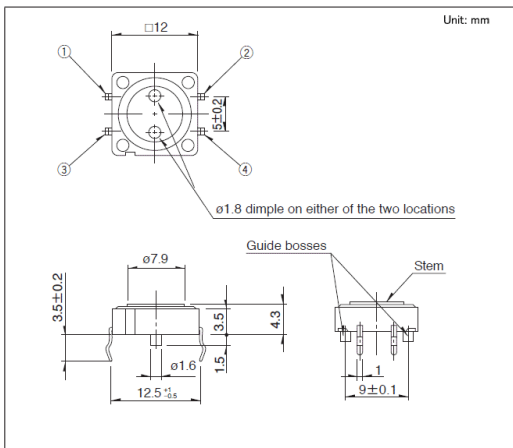
■ Circuit Diagram



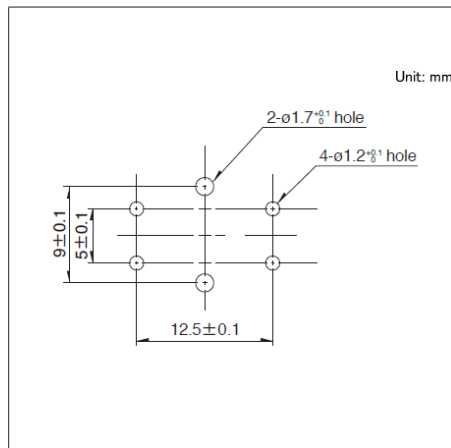
Viewed from mounting face.

Drawing No.2

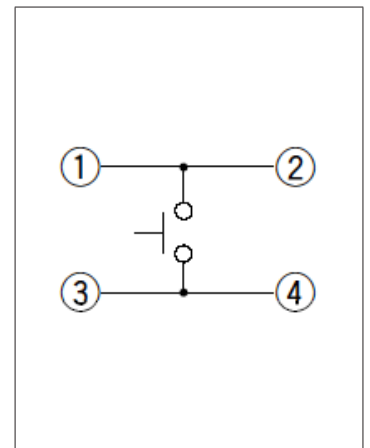
■ Dimensions



■ Mounting Hole Dimensions



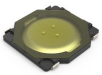
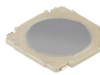


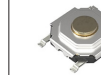


■ Circuit Diagram



Viewed from mounting face.

Surface Mount Type

List of Varieties








Series		SKRW	SKRM	SKRB	SKRR	SKQG	SKSD	SKRN
Photo								
Operation feeling		Sharp feeling						
Water-proof		—	—	—	—	—	—	—
Dust-proof		—	—	—	—	—	—	—
IP standard		—	—	—	—	—	—	—
Operating direction	Top push	●	●	●	●	●	●	●
	Side push	—	—	—	—	—	—	—
Ground terminal		—	—	—	—	—	—	—
Dimensions (mm)		3.7×3.7×0.35	4.5×4.5×0.4	4.8×4.8×0.55	7.5×7.0×0.6	5.2 x 5.2×1.5	4.1×3.9×0.6	6.0×6.0×0.9
Operating force (N)		1.27 1.57 2.35	1.57 2.55	1.1 1.57 2.55 3.5	1.0 1.6 2.0	0.98 1.57 2.55 3.43	1st 0.8, 2nd 1.6 1st 0.8, 2nd 1.9	1st 0.59, 2nd 1.57 1st 0.78, 2nd 1.57 1st 0.78, 2nd 2.45
Travel (mm)		0.15	0.15 0.2		0.25		1st 0.15, All 0.25	1st 0.25, All 0.4
Operating temperature range		-30°C to +85°C -30°C to +86°C -30°C to +87°C	-40°C to +85°C			-40°C to +90°C		
Electrical performance	Rating (max.)	50mA 12V DC						
	Rating (min.)	10μA 1V DC						
	Insulation resistance	100MΩ min. 100V DC for 1 min.						
	Voltage proof	100V AC for 1 min.				250V AC for 1 min.	100V AC for 1 min.	250V AC for 1 min.
Environmental performance	Cold	-40°C 96h						
	Dry heat	90°C 96h						
	Damp heat	60°C, 90 to 95%RH 96h						
Automotive		—	—	●	—	●	—	—

⚠ Note

● Indicates applicability to all products in the series, while ○ indicates applicability to some products in the series.

Surface Mount Type








Under development
Scheduled for mass production
from April 2026

Series		SKUJ	SKUB	SKTA	SKSV	SKSW	SKTK	SKUA
Photo								
Operation feeling		Sharp feeling						
Water-proof		—	●	●	●	●	●	●
Dust-proof		—	●	●	●	●	●	●
IP standard		—	IP6X equivalent/ IPX8	IP6X equivalent/ IPX7 IP6X equivalent/ IPX8	IP6X equivalent/ IPX7	IP6X equivalent/ IPX7 IP6X equivalent/ IPX8	IP6X equivalent/ IPX7	IP6X equivalent/ IPX7
Operating direction	Top push	●	●	●	●	●	●	●
	Side push	—	—	—	—	—	—	—
Ground terminal		—	—	—	—	—	—	—
Dimensions (mm)		8.0×8.0×4.0 8.0×8.0×4.5	2.4×1.4×0.55	2.6×1.6×0.53 2.6×1.6×0.55	2.8×1.9×0.5 2.8×1.9×0.55 2.8×1.9×0.6	3.0×2.0×0.6	5.9×4.0×0.78	7.0×7.5×0.67
Operating force (N)		1st 3.8, 2nd 6.4 1st 4.0, 2nd 8.0	1.6	1.0 1.6 2.4	1.0 1.6 2.2 3.0	1.6 1.8 2.4 3.3	2.5	2.0
Travel (mm)		1st 0.35, All 0.6 1st 0.5, All 0.95	0.11		0.12 0.15	0.13	0.23	0.22
Operating temperature range		-40°C to +90°C	-30°C to +85°C	-30°C to +85°C -40°C to +85°C		-30°C to +85°C		-40°C to +90°C
Electrical performance	Rating (max.)	50mA 16V DC	50mA 12V DC					
	Rating (min.)	10μA 1V DC						
	Insulation resistance	100MΩ min. 100V DC for 1 min.						
	Voltage proof	250V AC for 1 min.	100V AC for 1 min.					
Environmental performance	Cold	-40°C 1000h	-40°C 96h	-40°C 96h -40°C 500h	-40°C 96h			
	Dry heat	90°C 1000h	90°C 96h	85°C 500h 90°C 96h	85°C 96h	90°C 96h		
	Damp heat	60°C, 90 to 95%RH 1000h	60°C, 90 to 95%RH 96h	60°C, 90 to 95%RH 96h 60°C, 90 to 95%RH 500h	60°C, 90 to 95%RH 96h			
Automotive		●	—	—	—	—	—	—

 Note

● Indicates applicability to all products in the series, while ○ indicates applicability to some products in the series.


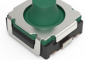

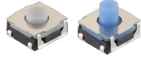



Surface Mount Type

Series		SKSG	SKRK	SKTH	SKRP	SKQM	SKQY	SKTQ
Photo								
Operation feeling		Sharp feeling						
Water-proof		—	—	—	—	—	—	—
Dust-proof		—	—	●	—	—	—	—
IP standard		—	—	IP6X equivalent	—	—	—	—
Operating direction	Top push	●	●	●	●	●	●	●
	Side push	—	—	—	—	—	—	—
Ground terminal		○	—	—	—	—	○	—
Dimensions (mm)		3.0×2.7×1.4	3.9×2.9×1.5 3.9×2.9×2.0	3.5×3.2×1.75 3.5×3.2×1.8 3.5×3.2×2.5	4.2×3.2×2.5	6.0×3.5×4.3 6.0×3.5×5.0	6.1×3.7×2.5	5.3×5.4×4.25
Operating force (N)		1.6 2.0 2.8 4.0	0.98 1.57	1.4 3.0 5.0 7.0	1.0 1.57 2.55 3.0 4.0 5.0	0.98 1.57 2.55	0.98 1.57 2.55 3.14	2.5 3.0 3.5 5.0
Travel (mm)		0.12	0.13	0.12 0.15	0.15 0.2	0.25		0.7 0.71 0.73 0.74
Operating temperature range		-40°C to +85°C		-30°C to +85°C -40°C to +90°C	-40°C to +90°C			
Electrical performance	Rating (max.)	50mA 12V DC	50mA 12V DC	25mA 12V DC 25mA 16V DC 50mA 16V DC	50mA 16V DC	50mA 12V DC		50mA 16V DC
	Rating (min.)	10μA 1V DC						
	Insulation resistance	100MΩ min. 100V DC for 1 min.						
	Voltage proof	100V AC for 1 min.	250V AC for 1 min.	100V AC for 1 min. 250V AC for 1 min.	250V AC for 1 min.			
Environmental performance	Cold	-40°C 96h		-40°C 96h -40°C 500h	-40°C 96h -40°C 1,000h	-40°C 96h		-40°C 1,000h
	Dry heat	90°C 96h		90°C 96h 90°C 500h	90°C 96h 90°C 1,000h	90°C 96h		90°C 1,000h
	Damp heat	60°C, 90 to 95%RH 96h		60°C, 90 to 95%RH 96h 60°C, 90 to 95%RH 500h	60°C, 90 to 95%RH 96h 60°C, 90 to 95%RH 1,000h	60°C, 90 to 95%RH 96h		60°C, 90 to 95%RH 1,000h
Automotive		●	—	●	○	●	●	●

 Note

● Indicates applicability to all products in the series, while ○ indicates applicability to some products in the series.








Surface Mount Type

Series		SKSU	SKTR	SKTT	SKRA	SKHM	SKHU	SKST
Photo								
Operation feeling		Sharp feeling						
Water-proof		●	—	—	○	—	—	—
Dust-proof		●	●	—	○	—	○	—
IP standard		IP6X equivalent/ IPX7	IP6X equivalent	—	IP6X equivalent IP6X equivalent/ IPX7	—	—	—
Operating direction	Top push	●	●	●	●	●	●	●
	Side push	—	—	—	—	—	—	—
Ground terminal		—	—	—	—	—	○	—
Dimensions (mm)		5.3×5.4×3.85 5.3×5.4×4.34	6.1×6.1×4.1	6.2×6.2×4.4	6.2×6.2×3.4 6.2×6.2×3.5 6.2×6.2×3.55 6.2×6.2×5.2	6.2×6.5×3.1	6.2×6.3×2.5 6.2×6.3×3.1	8.5×8.5×3.95
Operating force (N)		1.4 3.0 3.5 5.0	3.0 3.8 4.0	4.0	0.6 1.2 1.6 1.96 2.0 2.45 3.43 3.92	0.98 1.57 2.35	0.98 1.57 2.55	4.0 4.5 7.0 10.0
Travel (mm)		0.7 0.8 0.9 1.04	0.72 0.75 0.78	0.36	0.25 0.3 0.35 0.4 0.5 0.55	0.25	0.25	0.75 0.9
Operating temperature range		-40°C to +90°C				-40°C to +85°C		-40°C to +90°C
Electrical performance	Rating (max.)	50mA 12V DC 50mA 16V DC	50mA 16V DC		50mA 12V DC 50mA 16V DC	50mA 12V DC		50mA 16V DC
	Rating (min.)	10μA 1V DC						
	Insulation resistance	100MΩ min. 100V DC for 1 min.						
	Voltage proof	100V AC for 1 min. 250V AC for 1 min.	250V AC for 1 min.					
Environmental performance	Cold	-40°C 96h -40°C 1,000h	-40°C 1,000h		-40°C 96h -40°C 500h -40°C 1,000h	-40°C 96h		-40°C 1,000h
	Dry heat	90°C 96h 90°C 1,000h	90°C 1,000h		90°C 96h 90°C 500h 90°C 1,000h	90°C 96h		90°C 1,000h
	Damp heat	60°C, 90 to 95%RH 96h 60°C, 90 to 95%RH 1,000h	60°C, 90 to 95%RH 1,000h		60°C, 90 to 95%RH 96h 60°C, 90 to 95%RH 500h 60°C, 90 to 95%RH 1,000h	60°C, 90 to 95%RH 96h		60°C, 90 to 95%RH 1,000h
Automotive		○	●	●	○	—	●	●

 Note

● Indicates applicability to all products in the series, while ○ indicates applicability to some products in the series.



Surface Mount Type

Series		SKTD	SKSN	SKSL	SKSC	SKRT	SKSJ	SKPS
Photo								
Operation feeling		Sharp feeling						Soft feeling
Water-proof		●	—	—	—	—	—	—
Dust-proof		●	—	—	—	—	—	—
IP standard		IP6X equivalent/ IPX7	—	—	—	—	—	—
Operating direction	Top push	—	—	—	—	—	—	●
	Side push	●	●	●	●	●	●	—
Ground terminal		—	—	—	○	—	—	—
Dimensions (mm)		3.9×2.9×1.55	6.2×3.0×3.5 7.5×3.0×3.5 7.5×4.07×3.5	4.5×2.6×2.2	3.5×3.55×1.25	4.5×3.4×3.3	4.8×3.25×3.3	5.9×6.0×5.0
Operating force (N)		1.6 2.0	1.6 2.4 4.5 5.0	1.6 2.2 3.5	1.6 2.2	1.6	0.8 1.6	2.5 3.0 3.3 3.6
Travel (mm)		0.15	0.15 0.2 0.23	0.15	0.2		0.25 0.4	1.05
Operating temperature range		-30°C to +85°C	-40°C to +85°C -40°C to +90°C	-30°C to +85°C		-40°C to +90°C	-30°C to +85°C	-40°C to +90°C
Electrical performance	Rating (max.)	50mA 12V DC	50mA 12V DC 50mA 16V DC		50mA 12V DC			50mA 16V DC
	Rating (min.)	10μA 1V DC						
	Insulation resistance	100MΩ min. 100V DC for 1 min.	100MΩ min. 100V DC for 1 min. 100MΩ min. 500V DC for 1 min.	100MΩ min. 100V DC for 1 min.				
	Voltage proof	100V AC for 1 min.	100V AC for 1 min. 250V AC for 1 min.	250V AC for 1 min.	100V AC for 1 min.	250V AC for 1 min.	100V AC for 1 min.	250V AC for 1 min.
Environmental performance	Cold	-40°C 96h	-40°C 96h -40°C 1,000h		-40°C 96h		-30°C 96h -40°C 96h	-40°C 1,000h
	Dry heat	85°C 96h	85°C 96h 90°C 96h 90°C 1,000h	85°C 96h 90°C 1,000h	90°C 96h		85°C 96h 90°C 96h	90°C 1,000h
	Damp heat	60°C, 90 to 95%RH 96h	60°C, 90 to 95%RH 96h 60°C, 90 to 95%RH 1,000h		60°C, 90 to 95%RH 96h			60°C, 90 to 95%RH 1,000h
Automotive		—	○	○	—	—	—	●

 Note

● Indicates applicability to all products in the series, while ○ indicates applicability to some products in the series.

Surface Mount Type

Series		SKPM	SKPR
Photo			
Operation feeling		Soft feeling	
Water-proof		—	—
Dust-proof		—	—
IP standard		—	—
Operating direction	Top push	●	●
	Side push	—	—
Ground terminal		—	—
Dimensions (mm)		5.9×6.0×5.0	7.5×7.8×6.5
Operating force (N)		1.57 1.96 2.45 3.0	5.0
Travel (mm)		1.3	1.0
Operating temperature range		-40°C to +90°C	
Electrical performance	Rating (max.)	50mA 16V DC	
	Rating (min.)	10μA 1V DC	
	Insulation resistance	100MΩ min. 100V DC for 1 min.	
	Voltage proof	250V AC for 1 min.	
Environmental performance	Cold	-40°C 1,000h	
	Dry heat	90°C 1,000h	
	Damp heat	60°C, 90 to 95%RH 1,000h	
Automotive		●	●

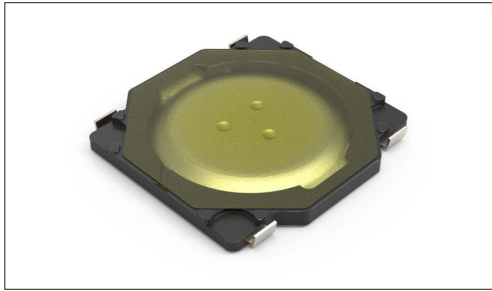
 Note

● Indicates applicability to all products in the series, while ○ indicates applicability to some products in the series.

TACT Switch™ Surface Mount Type

3.7mm Square (Surface Mount) SKRW Series

Compact, thin-profile type with a height of 0.35mm.



- Series type: Sharp feeling type
- Absolute Maximum Ratings: 50mA 12V DC
- Rating (min.): 10μA 1V DC

Applications: Mobile: Headsets, wearables, Notebooks, peripherals
Audio_TV: Visual, Audio, Cameras

Product List

Products No.	Operating direction	Operating force (N)	Travel (mm)	Operating life (cycles)	Initial contact resistance	Dimensions (WxDxH) (mm)	Water-proof	Dust-proof	Automotive	Drawing No.
SKRWAE030	Top push	1.57	0.15	500,000	100mΩ max.	3.7×3.7×0.35	—	—	—	1
SKRWAE030	Top push	2.35	0.15	50,000	100mΩ max.	3.7×3.7×0.35	—	—	—	
SKRWAME030	Top push	1.57	0.15	1,000,000	100mΩ max.	3.7×3.7×0.35	—	—	—	
SKRWANE030	Top push	1.27	0.15	1,000,000	100mΩ max.	3.7×3.7×0.35	—	—	—	

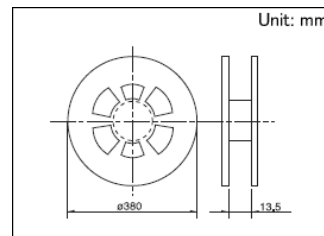
Note

1. This catalog shows only outline specifications. When using the products, please obtain formal specifications for supply.
2. Please place purchase orders for taping products per minimum order unit (1 reel or a case).

Packing Specifications

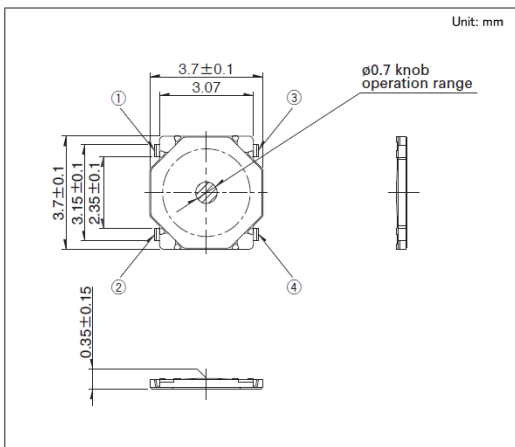
Taping

Number of packages (pcs.)			Tape width (mm)	Export package measurements (mm)
1 reel	1 case / Japan	1 case / export packing		
10,000	100,000	100,000	12	395 x 395 x 205

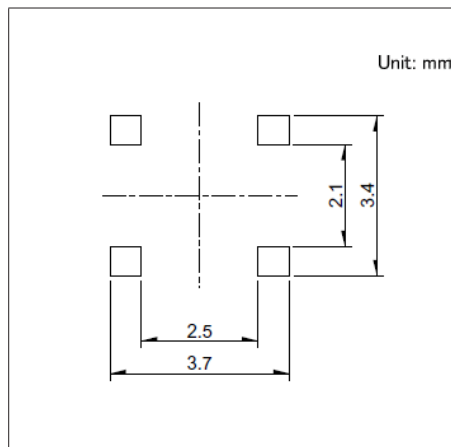


Drawing No.1

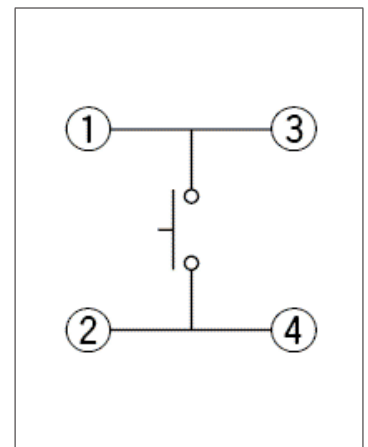
Dimensions



Land Dimensions



Circuit Diagram



Viewed from mounting face.

TACT Switch™ Surface Mount Type

4.5mm Square (Surface Mount) SKRM Series

Compact, thin-profile type with a height of 0.4mm.



- Series type: Sharp feeling type
- Absolute Maximum Ratings: 50mA 12V DC
- Rating (min.): 10μA 1V DC

Applications: Mobile: Headsets, wearables, Notebooks, peripherals

Product List

Products No.	Operating direction	Operating force (N)	Travel (mm)	Operating life (cycles)	Initial contact resistance	Dimensions (W×D×H) (mm)	Water-proof	Dust-proof	Automotive	Drawing No.
SKRMAAE010	Top push	1.57	0.15	500,000	100mΩ max.	4.5×4.5×0.4	—	—	—	1
SKRMABE010	Top push	2.55	0.2	100,000	100mΩ max.	4.5×4.5×0.4	—	—	—	

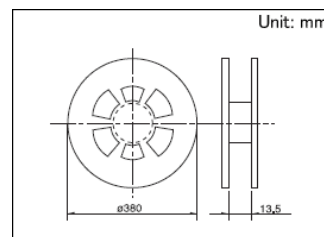
⚠ Note

1. This catalog shows only outline specifications. When using the products, please obtain formal specifications for supply.
2. Please place purchase orders for taping products per minimum order unit (1 reel or a case).

Packing Specifications

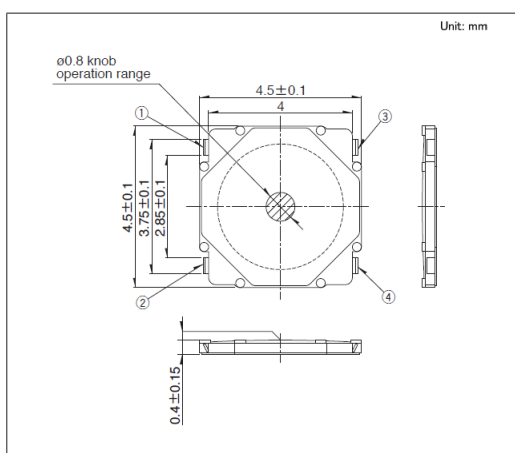
Taping

Number of packages (pcs.)			Tape width (mm)	Export package measurements (mm)
1 reel	1 case / Japan	1 case / export packing		
10,000	100,000	100,000	12	395 x 395 x 205

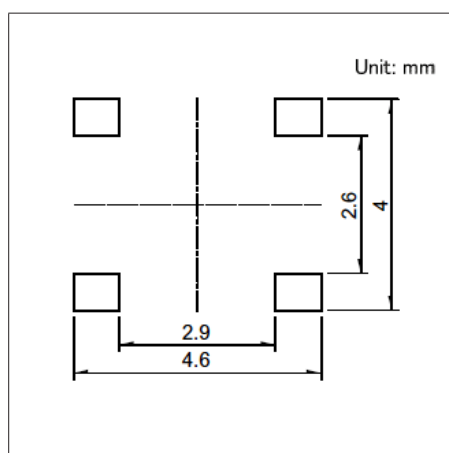


Drawing No.1

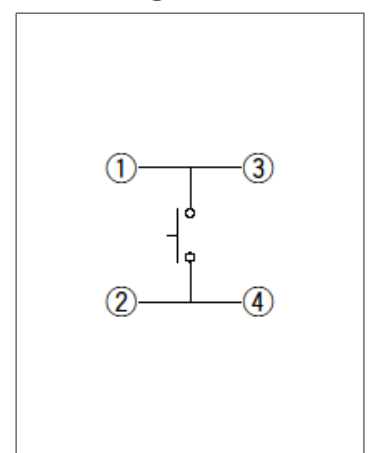
Dimensions



Land Dimensions



Circuit Diagram



Viewed from mounting face.

TACT Switch™ Surface Mount Type

4.8mm Square (Surface Mount)

SKRB Series

Automotive-compatible compact, thin-profile type with a height of 0.55mm.



Automotive

- Series type: Sharp feeling type
- Absolute Maximum Ratings: 50mA 12V DC
- Rating (min.): 10μA 1V DC

Applications: Home: Major home appliances, Office equipment
 Automotive: Remote Keyless Entry (RKE), Navigation/audio systems, HVAC, Overhead consoles, Steering, Shifter

■ Product List

Products No.	Operating direction	Operating force (N)	Travel (mm)	Operating life (cycles)	Initial contact resistance	Dimensions (W×D×H) (mm)	Water-proof	Dust-proof	Automotive	Drawing No.
SKRBAGE010	Top push	1.1	0.15	2,000,000	100mΩ max.	4.8×4.8×0.55	—	—	●	1
SKRBAAE010	Top push	1.57	0.2	1,000,000	100mΩ max.	4.8×4.8×0.55	—	—	●	
SKRBACE010	Top push	2.55	0.2	500,000	100mΩ max.	4.8×4.8×0.55	—	—	●	
SKRBAKE010	Top push	3.5	0.2	200,000	100mΩ max.	4.8×4.8×0.55	—	—	●	

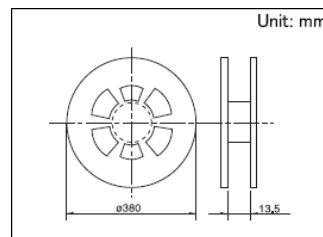
Note

1. This catalog shows only outline specifications. When using the products, please obtain formal specifications for supply.
2. Please place purchase orders for taping products per minimum order unit (1 reel or a case).

■ Packing Specifications

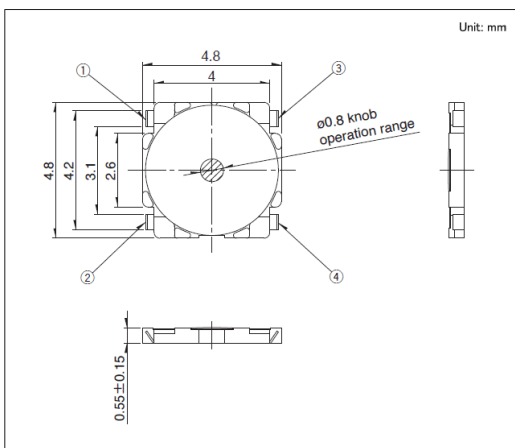
Taping

Number of packages (pcs.)			Tape width (mm)	Export package measurements (mm)
1 reel	1 case / Japan	1 case / export packing		
10,000	100,000	100,000	12	395 x 395 x 205

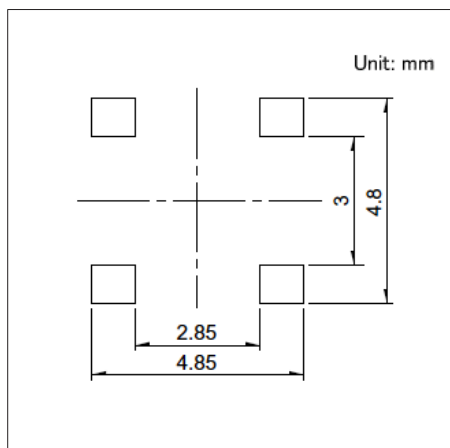


Drawing No.1

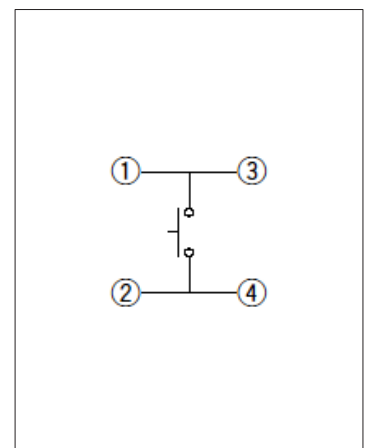
■ Dimensions



■ Land Dimensions



■ Circuit Diagram



Viewed from mounting face.

TACT Switch™ Surface Mount Type

7.5×7.0mm (Surface Mount)

SKRR Series

Long-life type with a height of 0.6mm, capable of 5 million operations.



- Series type: Sharp feeling type
- Absolute Maximum Ratings: 50mA 12V DC
- Rating (min.): 10μA 1V DC

Applications: Game: Home handheld consoles, Virtual/augmented reality

Product List

Products No.	Operating direction	Operating force (N)	Travel (mm)	Operating life (cycles)	Initial contact resistance	Dimensions (W×D×H) (mm)	Water-proof	Dust-proof	Automotive	Drawing No.
SKRRAAE010	Top push	1.0	0.25	5,000,000	500mΩ max.	7.5×7.0×0.6	—	—	—	1
SKRRABE010	Top push	1.6	0.25	5,000,000	500mΩ max.	7.5×7.0×0.6	—	—	—	
SKRRACE010	Top push	2.0	0.25	5,000,000	500mΩ max.	7.5×7.0×0.6	—	—	—	

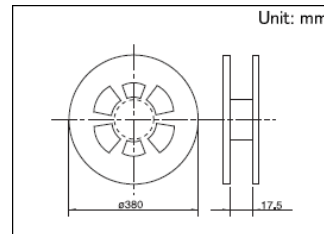
⚠ Note

1. This catalog shows only outline specifications. When using the products, please obtain formal specifications for supply.
2. Please place purchase orders for taping products per minimum order unit (1 reel or a case).

Packing Specifications

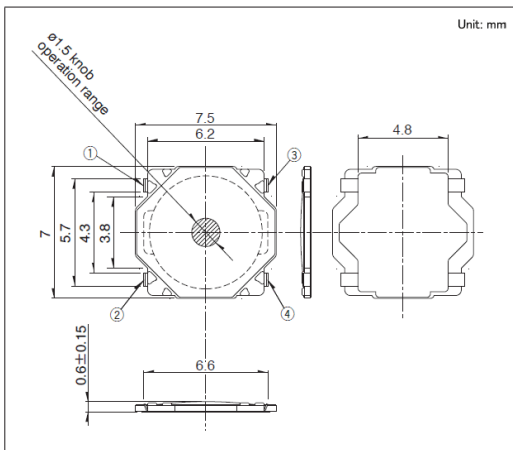
Taping

Number of packages (pcs.)			Tape width (mm)	Export package measurements (mm)
1 reel	1 case / Japan	1 case / export packing		
7,000	56,000	56,000	16	395 x 395 x 205

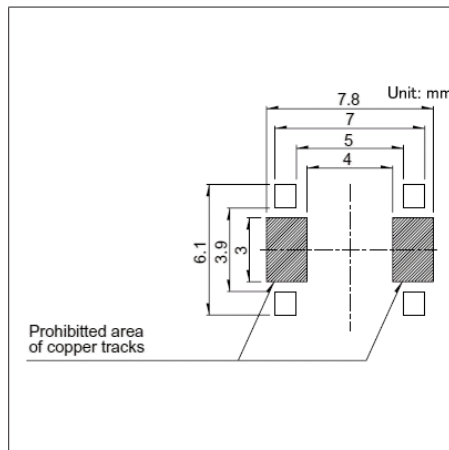


Drawing No. 1

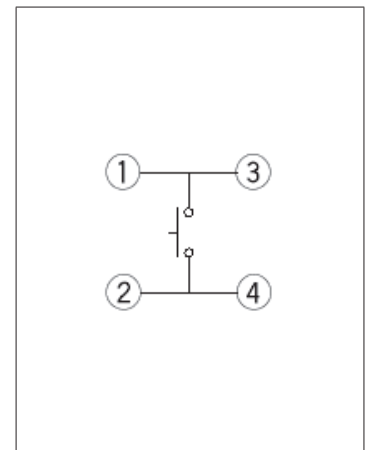
Dimensions



Land Dimensions



Circuit Diagram



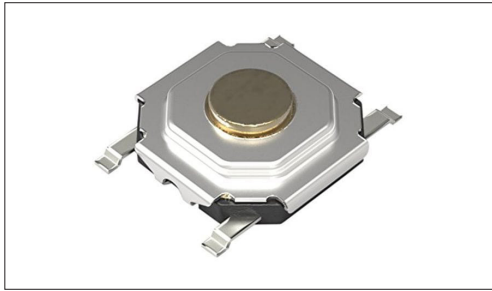
Viewed from mounting face.

TACT Switch™ Surface Mount Type

5.2mm Square (Surface Mount)
SKQG Series

Automotive-compatible compact, thin-profile type with a height of 1.5mm.

Automotive



- Series type: Sharp feeling type
- Absolute Maximum Ratings: 50mA 12V DC
- Rating (min.): 10μA 1V DC

Applications: Mobile: Notebooks, peripherals
 Healthcare: Healthcare equipment
 Automotive: Remote Keyless Entry (RKE), Navigation/audio systems, HVAC, Overhead consoles, Steering, Shifter

■ Product List

Products No.	Operating direction	Operating force (N)	Travel (mm)	Operating life (cycles)	Initial contact resistance	Dimensions (W×D×H) (mm)	Water-proof	Dust-proof	Automotive	Drawing No.
SKQGAFE010	Top push	0.98	0.25	500,000	100mΩ max.	5.2 x 5.2×1.5	—	—	●	1
SKQGABE010	Top push	1.57	0.25	1,000,000	100mΩ max.	5.2 x 5.2×1.5	—	—	●	
SKQGAE010	Top push	2.55	0.25	100,000	100mΩ max.	5.2 x 5.2×1.5	—	—	●	
SKQGAKE020	Top push	3.43	0.25	100,000	100mΩ max.	5.2 x 5.2×1.5	—	—	●	

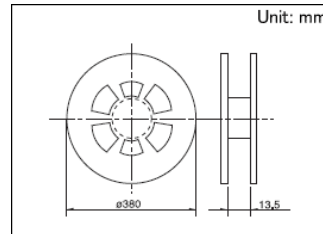
Note

1. This catalog shows only outline specifications. When using the products, please obtain formal specifications for supply.
2. Please place purchase orders for taping products per minimum order unit (1 reel or a case).

■ Packing Specifications

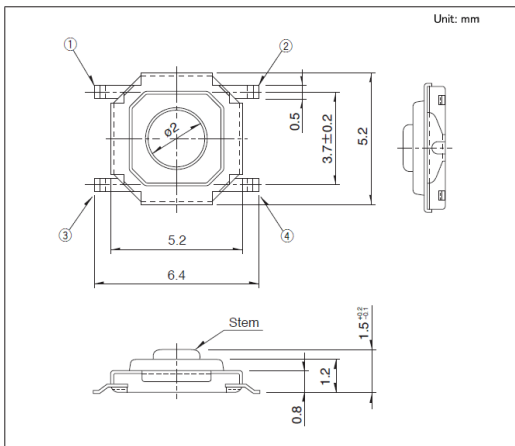
Taping

Number of packages (pcs.)			Tape width (mm)	Export package measurements (mm)
1 reel	1 case / Japan	1 case / export packing		
4,000	40,000	40,000	12	395 x 395 x 205

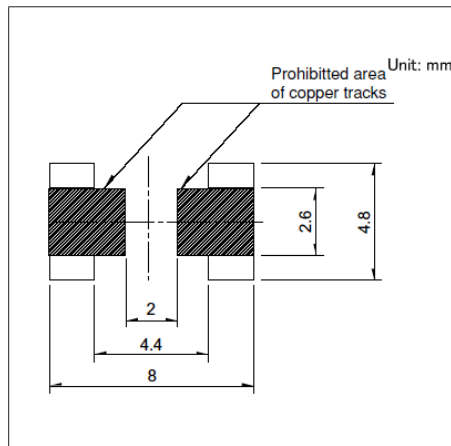


Drawing No. 1

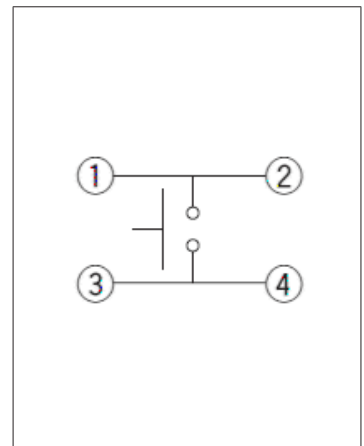
■ Dimensions



■ Land Dimensions



■ Circuit Diagram



Viewed from mounting face.

TACT Switch™ Surface Mount Type

4.1×3.9mm Double Action Type (Surface Mount)

SKSD Series

Compact, thin-profile double-action type with a height of 0.6mm.



- Series type: Sharp feeling type
- Absolute Maximum Ratings: 50mA 12V DC
- Rating (min.): 10μA 1V DC

Applications: Audio_TV:Cameras

Product List

Products No.	Operating direction	Operating force (N)	Travel (mm)	Operating life (cycles)	Initial contact resistance	Dimensions (W×D×H) (mm)	Water-proof	Dust-proof	Automotive	Drawing No.
SKSDPBE010	Top push	1st 0.8, 2nd 1.6	1st 0.15, All 0.25	100,000	200mΩ max.	4.1×3.9×0.6	—	—	—	1
SKSDPCE010	Top push	1st 0.8, 2nd 1.9	1st 0.15, All 0.25	50,000	200mΩ max.	4.1×3.9×0.6	—	—	—	

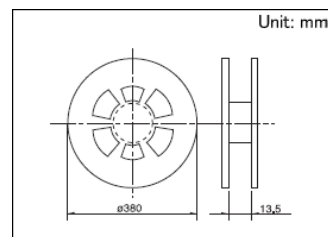
Note

1. This catalog shows only outline specifications. When using the products, please obtain formal specifications for supply.
2. Please place purchase orders for taping products per minimum order unit (1 reel or a case).

Packing Specifications

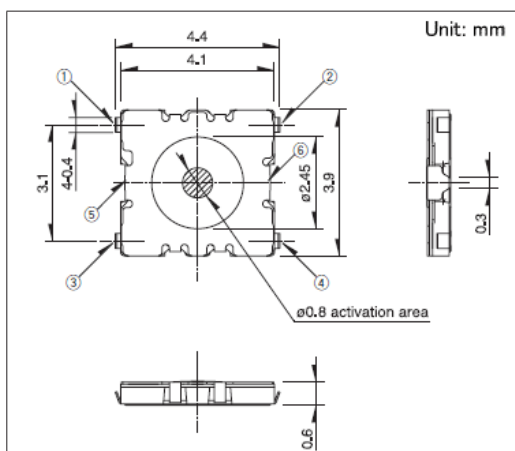
Taping

Number of packages (pcs.)			Tape width (mm)	Export package measurements (mm)
1 reel	1 case / Japan	1 case / export packing		
10,000	100,000	100,000	12	395 x 395 x 205

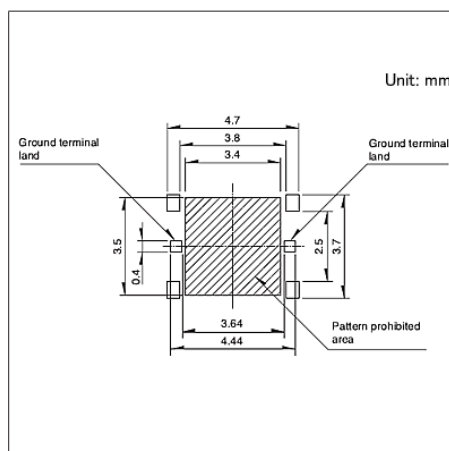


Drawing No. 1

Dimensions

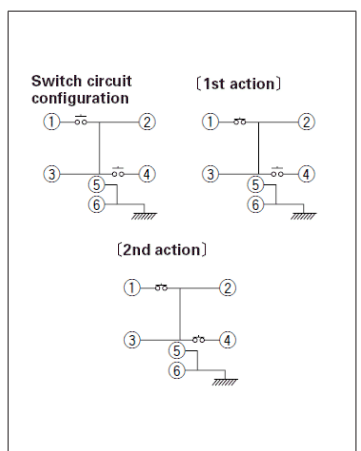


Land Dimensions



Viewed from mounting face.

Circuit Arrangement

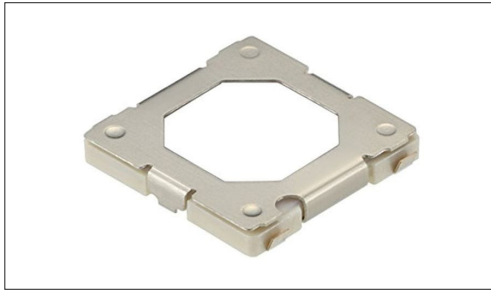


TACT Switch™ Surface Mount Type

6.0mm Square Double Action Type (Surface Mount)

SKRN Series

Thin-profile double-action type with a height of 0.9mm.



- Series type: Sharp feeling type
- Absolute Maximum Ratings: 50mA 12V DC
- Rating (min.): 10μA 1V DC

Applications: Audio_TV:Cameras

Product List

Products No.	Operating direction	Operating force (N)	Travel (mm)	Operating life (cycles)	Initial contact resistance	Guide bosses	Dimensions (W×D×H) (mm)	Water-proof	Dust-proof	Automotive	Drawing No.
SKRNPAE010	Top push	1st 0.78, 2nd 2.45	1st 0.25, All 0.4	30,000	100mΩ max.	Without	6.0×6.0×0.9	—	—	—	1
SKRNPBE010	Top push	1st 0.78, 2nd 2.45	1st 0.25, All 0.4	30,000	100mΩ max.	With	6.0×6.0×0.9	—	—	—	
SKRNPCE010	Top push	1st 0.78, 2nd 1.57	1st 0.25, All 0.4	30,000	100mΩ max.	With	6.0×6.0×0.9	—	—	—	
SKRNPDE010	Top push	1st 0.78, 2nd 1.57	1st 0.25, All 0.4	30,000	100mΩ max.	Without	6.0×6.0×0.9	—	—	—	
SKRNPEE010	Top push	1st 0.59, 2nd 1.57	1st 0.25, All 0.4	100,000	100mΩ max.	Without	6.0×6.0×0.9	—	—	—	
SKRNPME010	Top push	1st 0.59, 2nd 1.57	1st 0.25, All 0.4	100,000	100mΩ max.	With	6.0×6.0×0.9	—	—	—	

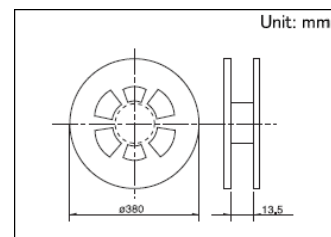
⚠ Note

1. This catalog shows only outline specifications. When using the products, please obtain formal specifications for supply.
2. Please place purchase orders for taping products per minimum order unit (1 reel or a case).

Packing Specifications

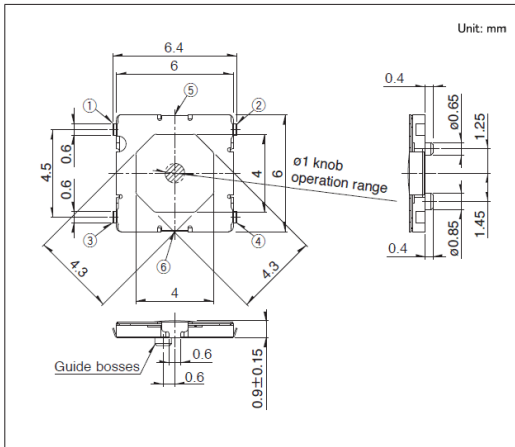
Taping

Number of packages (pcs.)			Tape width (mm)	Export package measurements (mm)
1 reel	1 case / Japan	1 case / export packing		
5,000	50,000	50,000	12	395 x 395 x 205

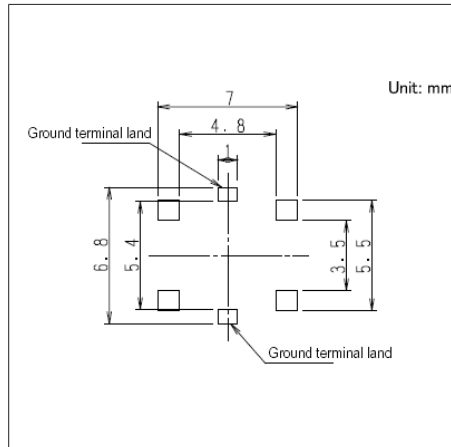


Drawing No.1

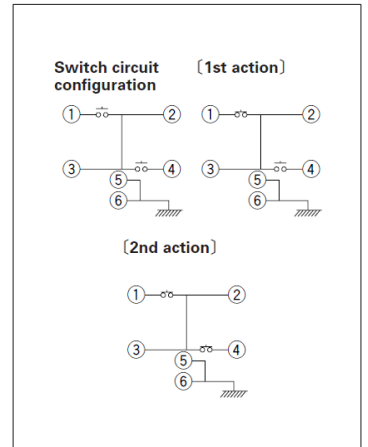
■ Dimensions



■ Land Dimensions



■ Circuit Arrangement



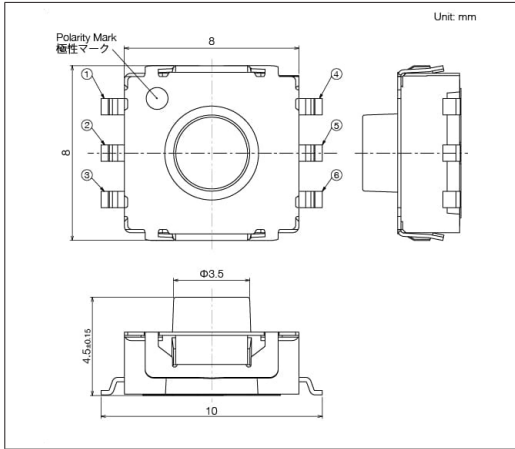
Viewed from mounting face.

TACT Switch™ Surface Mount Type

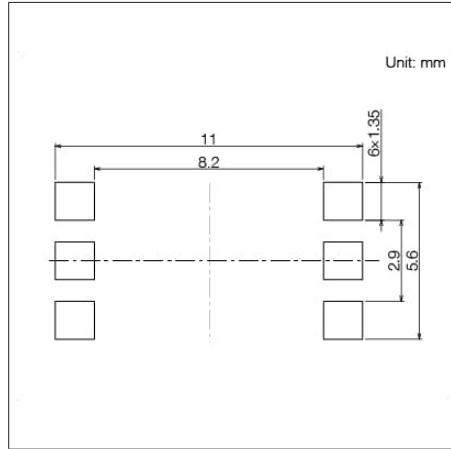
8.0mm Square Double Action Type (Surface Mount)
SKUJ Series

Drawing No.2

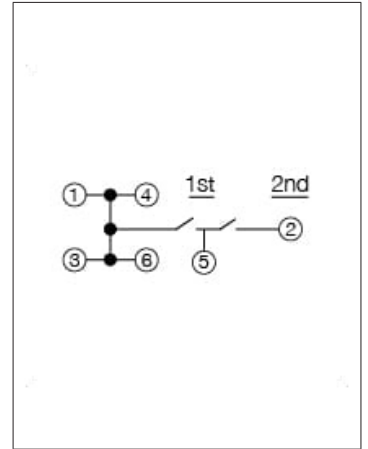
■ Dimensions



■ Land Dimensions



■ Circuit Diagram



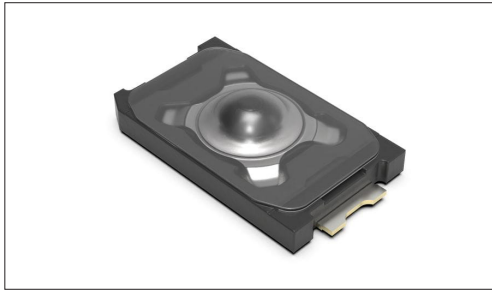
Viewed from mounting face.

TACT Switch™ Surface Mount Type

2.4×1.4mm Compact Type with Projection (Surface Mount)

SKUB Series (Under development/Scheduled for mass production from April 2026)

Compact, thin-profile type with a height of 0.55mm, compliant with IP6X equivalent/IPX8.



Water-proof Type

Dust-proof Type

- Series type: Sharp feeling type
- Absolute Maximum Ratings: 50mA 12V DC
- Rating (min.): 10μA 1V DC

Applications: Mobile: Smartphones, tablets, Headsets, wearables

■ Product List

Products No.	Operating direction	Operating force (N)	Travel (mm)	Operating life (cycles)	Initial contact resistance	Dimensions (W×D×H) (mm)	Water-proof	Dust-proof	Water-proof & Dust-proof	Automotive	Drawing No.
SKUBABE010	Top push	1.6	0.11	500,000	500mΩ max.	2.4×1.4×0.55	●	●	IP6X equivalent/IPX8	—	1

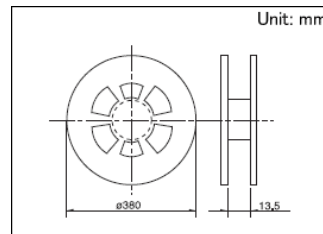
Note

1. This catalog shows only outline specifications. When using the products, please obtain formal specifications for supply.
2. Please place purchase orders for taping products per minimum order unit (1 reel or a case).
3. Protective structure :
IP6X equivalent/IPX8 dust and water resistance is guaranteed for the switch alone and performance may not be guaranteed depending on the mounting conditions and usage.

■ Packing Specifications

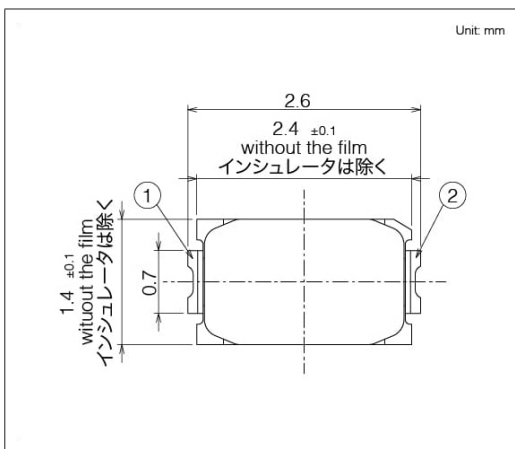
Taping

Number of packages (pcs.)			Tape width (mm)	Export package measurements (mm)
1 reel	1 case / Japan	1 case / export packing		
20,000	200,000	200,000	12	395 x 395 x 205

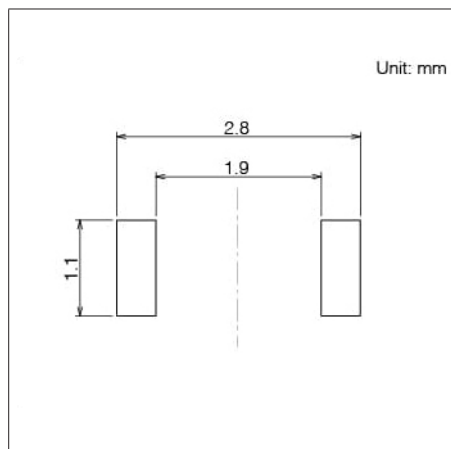


Drawing No.1

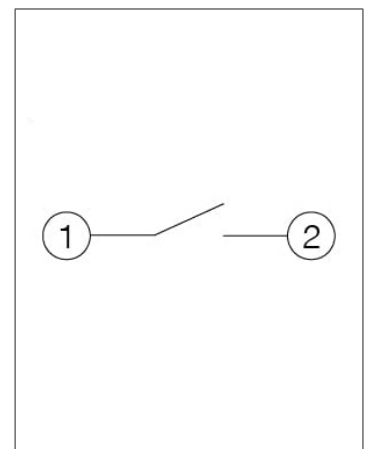
■ Dimensions



■ Land Dimensions



■ Circuit Diagram



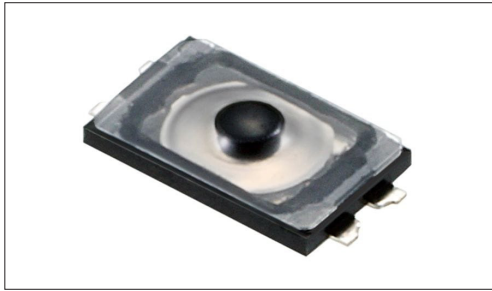
Viewed from mounting face.

TACT Switch™ Surface Mount Type

2.6×1.6mm Compact Type with Projection (Surface Mount)

SKTA Series

Compact, thin-profile type with a height of 0.53/0.55mm, compliant with IP6X equivalent/IPX7.



Water-proof Type

Dust-proof Type

- Series type: Sharp feeling type
- Absolute Maximum Ratings: 50mA 12V DC
- Rating (min.): 10μA 1V DC

Applications: Mobile: Smartphones, tablets, Headsets, wearables

■ Product List

Products No.	Operating direction	Operating force (N)	Travel (mm)	Operating life (cycles)	Initial contact resistance	Dimensions (W×D×H) (mm)	Water-proof	Dust-proof	Water-proof & Dust-proof	Automotive	Drawing No.
SKTAACE010	Top push	1.0	0.11	300,000	500mΩ max.	2.6×1.6×0.53	●	●	IP6X equivalent/IPX7	—	1
SKTAAAE010	Top push	1.6	0.11	300,000	500mΩ max.	2.6×1.6×0.53	●	●	IP6X equivalent/IPX7	—	
SKTABEE010	Top push	2.4	0.11	500,000	500mΩ max.	2.6×1.6×0.55	●	●	IP6X equivalent/IPX8	—	2

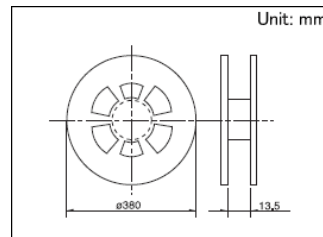
Note

1. This catalog shows only outline specifications. When using the products, please obtain formal specifications for supply.
2. Please place purchase orders for taping products per minimum order unit (1 reel or a case).
3. Protective structure :
Assumes the switch is left alone without being operated. Under the specified conditions, dust and water ingress with a significant impact on the switch's on-off function is prevented.
IP6X equivalent/IPX7 dust and water resistance is guaranteed for the switch alone and performance may not be guaranteed depending on the mounting conditions and usage.

■ Packing Specifications

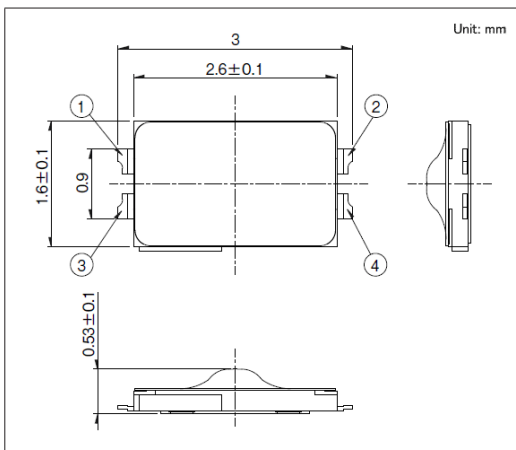
Taping

Number of packages (pcs.)			Tape width (mm)	Export package measurements (mm)
1 reel	1 case / Japan	1 case / export packing		
20,000	20,000	20,000	12	395 x 395 x 205

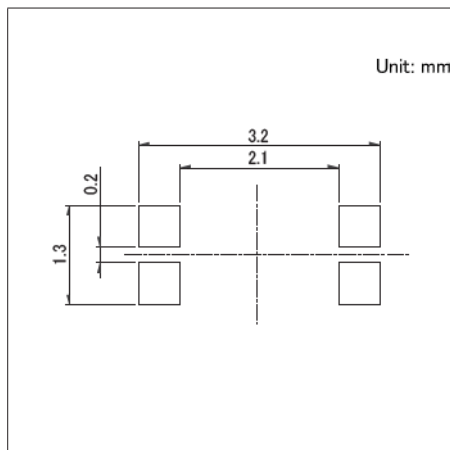


Drawing No.1

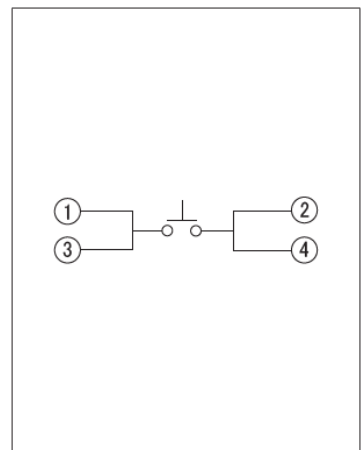
■ Dimensions



■ Land Dimensions



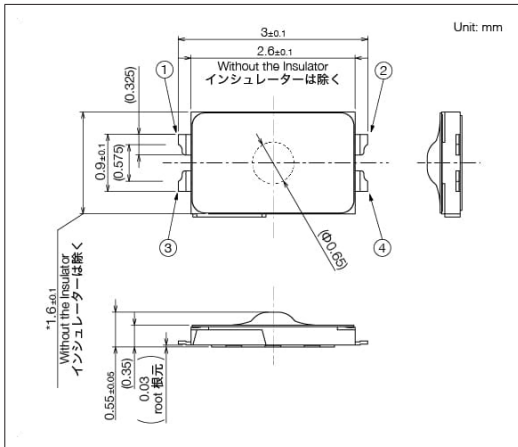
■ Circuit Diagram



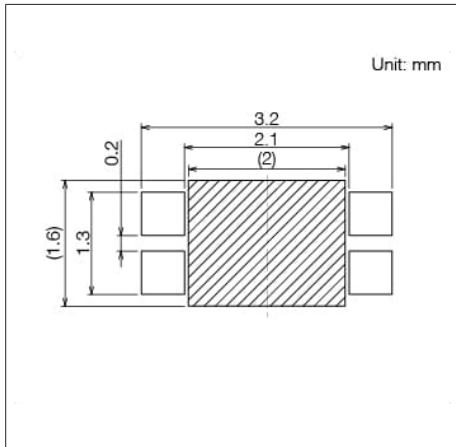
Viewed from mounting face.

Drawing No.2

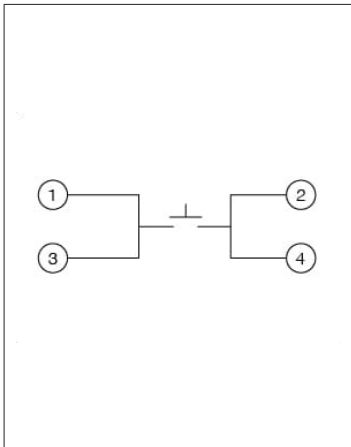
■ Dimensions



■ Land Dimensions



■ Circuit Diagram



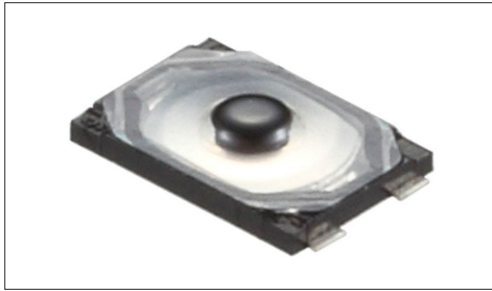
Viewed from mounting face.

TACT Switch™ Surface Mount Type

2.8×1.9mm Compact Type with Projection (Surface Mount)

SKSV Series

Compact, thin-profile type with a height of 0.5mm, compliant with IP6X equivalent/IPX7.



Water-proof Type

Dust-proof Type

- Series type: Sharp feeling type
- Absolute Maximum Ratings: 50mA 12V DC
- Rating (min.): 10μA 1V DC

Applications: Mobile: Smartphones, tablets, Headsets, wearables
 Healthcare: Healthcare equipment
 Audio_TV: Audio, Cameras
 Game: Home handheld consoles, Virtual/augmented reality

■ Product List

Products No.	Operating direction	Operating force (N)	Travel (mm)	Operating life (cycles)	Initial contact resistance	Dimensions (W×D×H) (mm)	Water-proof	Dust-proof	Water-proof & Dust-proof	Automotive	Drawing No.
SKSVCBE010	Top push	1.0	0.12	300,000	500mΩ max.	2.8×1.9×0.55	●	●	IP6X equivalent/IPX7	—	1
SKSVCAE010	Top push	1.6	0.12	300,000	500mΩ max.	2.8×1.9×0.5	●	●	IP6X equivalent/IPX7	—	2
SKSVCCE010	Top push	2.2	0.12	100,000	500mΩ max.	2.8×1.9×0.5	●	●	IP6X equivalent/IPX7	—	
SKSVCLE010	Top push	3.0	0.15	500,000	500mΩ max.	2.8×1.9×0.6	●	●	IP6X equivalent/IPX7	—	3

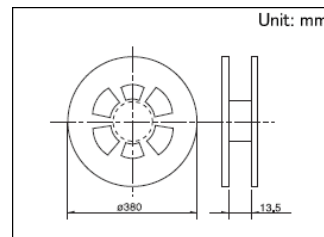
Note

1. This catalog shows only outline specifications. When using the products, please obtain formal specifications for supply.
2. Please place purchase orders for taping products per minimum order unit (1 reel or a case).
3. Protective structure :
 Assumes the switch is left alone without being operated. Under the specified conditions, dust and water ingress with a significant impact on the switch's on-off function is prevented.
 IP6X equivalent/IPX7 dust and water resistance is guaranteed for the switch alone and performance may not be guaranteed depending on the mounting conditions and usage.

■ Packing Specifications

Taping

Number of packages (pcs.)			Tape width (mm)	Export package measurements (mm)
1 reel	1 case / Japan	1 case / export packing		
20,000	200,000	200,000	12	395 x 395 x 205

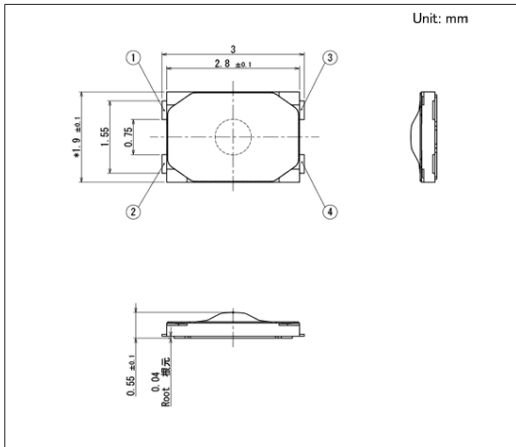


TACT Switch™ Surface Mount Type

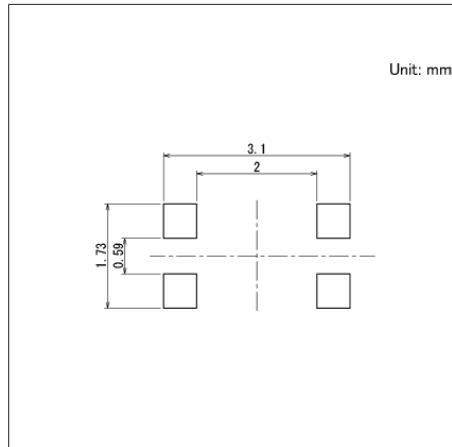
2.8×1.9mm Compact Type with Projection (Surface Mount)
SKSV Series

Drawing No.1

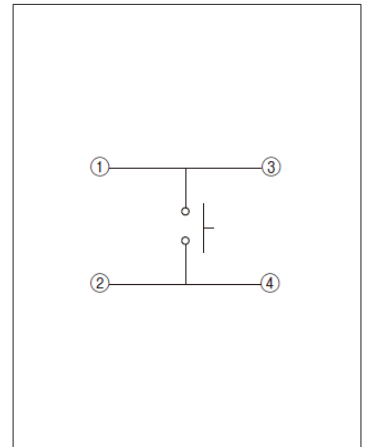
■ Dimensions



■ Land Dimensions



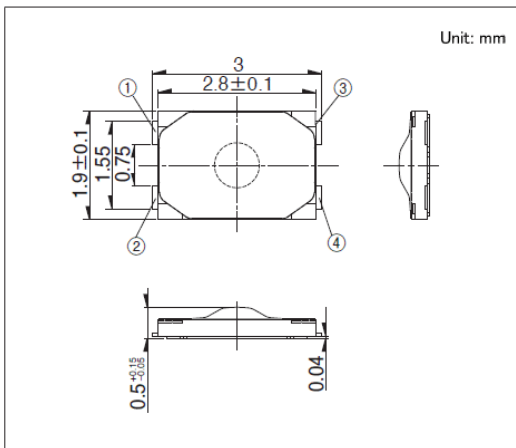
■ Circuit Diagram



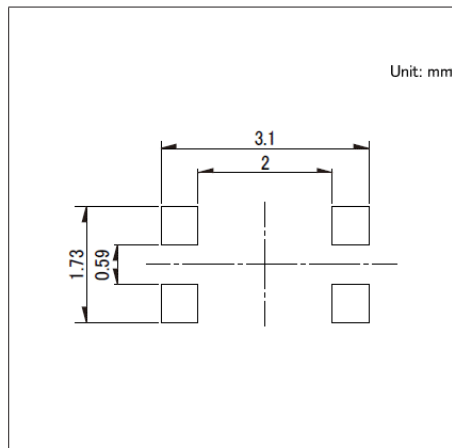
Viewed from mounting face.

Drawing No.2

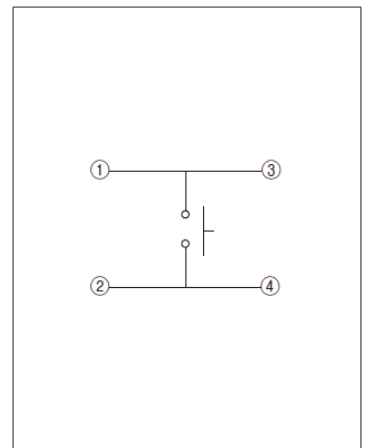
■ Dimensions



■ Land Dimensions



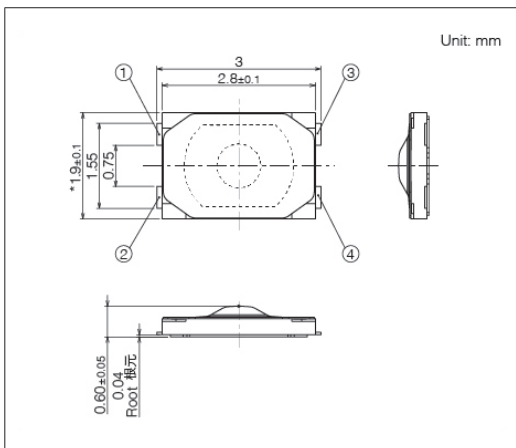
■ Circuit Diagram



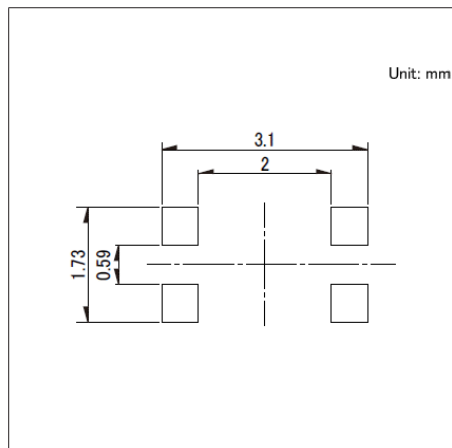
Viewed from mounting face.

Drawing No.3

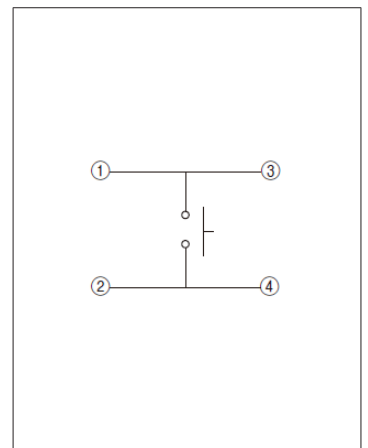
■ Dimensions



■ Land Dimensions



■ Circuit Diagram



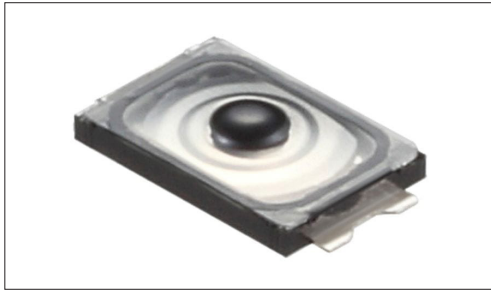
Viewed from mounting face.

TACT Switch™ Surface Mount Type

3.0×2.0mm Compact Type with Projection (Surface Mount)

SKSW Series

Compact, thin-profile type with a height of 0.6mm, compliant with IP6X equivalent/IPX7 (partially IPX8).



 Water-proof Type

 Dust-proof Type

- Series type: Sharp feeling type
- Absolute Maximum Ratings: 50mA 12V DC
- Rating (min.): 10μA 1V DC

Applications: Mobile: Smartphones, tablets, Headsets, wearables
 Game: Home handheld consoles, Virtual/augmented reality
 Audio_TV: Cameras

Product List

Products No.	Operating direction	Operating force (N)	Travel (mm)	Operating life (cycles)	Initial contact resistance	Dimensions (W×D×H) (mm)	Water-proof	Dust-proof	Water-proof & Dust-proof	Automotive	Drawing No.
SKSWCBE010	Top push	1.6	0.13	300,000	500mΩ max.	3.0×2.0×0.6	●	●	IP6X equivalent/IPX7	—	1
SKSWCEE010	Top push	1.8	0.13	300,000	500mΩ max.	3.0×2.0×0.6	●	●	IP6X equivalent/IPX7	—	
SKSWCFE010	Top push	2.4	0.13	500,000	500mΩ max.	3.0×2.0×0.6	●	●	IP6X equivalent/IPX7	—	
SKSWCGE010	Top push	3.3	0.13	300,000	500mΩ max.	3.0×2.0×0.6	●	●	IP6X equivalent/IPX7	—	
SKSWDAE010	Top push	2.4	0.13	300,000	500mΩ max.	3.0×2.0×0.6	●	●	IP6X equivalent/IPX8	—	2

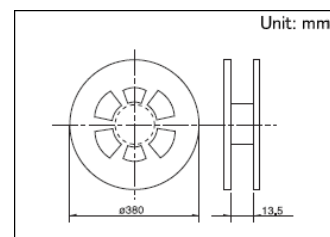
Note

1. This catalog shows only outline specifications. When using the products, please obtain formal specifications for supply.
2. Please place purchase orders for taping products per minimum order unit (1 reel or a case).
3. Protective structure :
 Assumes the switch is left alone without being operated. Under the specified conditions, dust and water ingress with a significant impact on the switch's on-off function is prevented.
 IP6X equivalent/IPX7, or IP6X equivalent/IPX8, dust and water resistance is guaranteed for the switch alone and performance may not be guaranteed depending on the mounting conditions and usage.

Packing Specifications

Taping

Number of packages (pcs.)			Tape width (mm)	Export package measurements (mm)
1 reel	1 case / Japan	1 case / export packing		
20,000	200,000	200,000	12	395 x 395 x 205



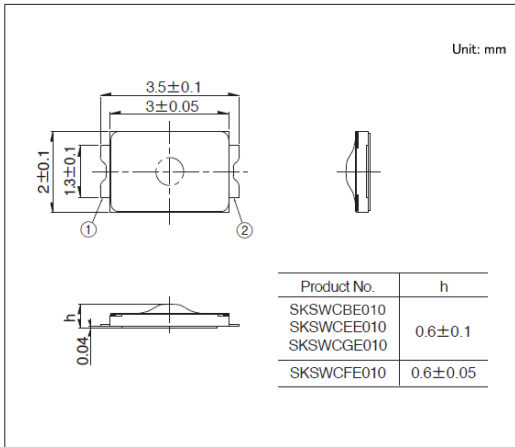
TACT Switch™ Surface Mount Type

3.0x2.0mm Compact Type with Projection (Surface Mount)

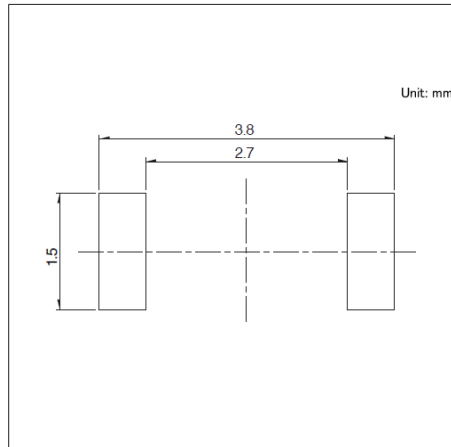
SKSW Series

Drawing No.1

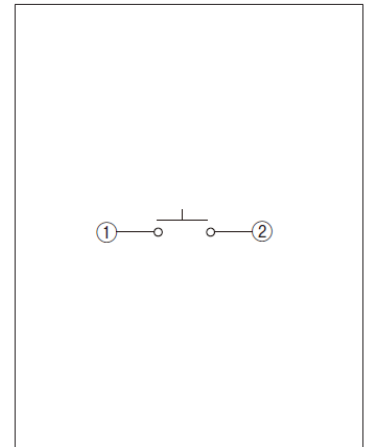
■ Dimensions



■ Land Dimensions



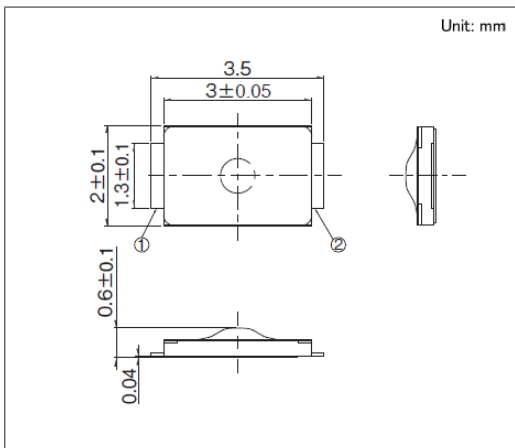
■ Circuit Diagram



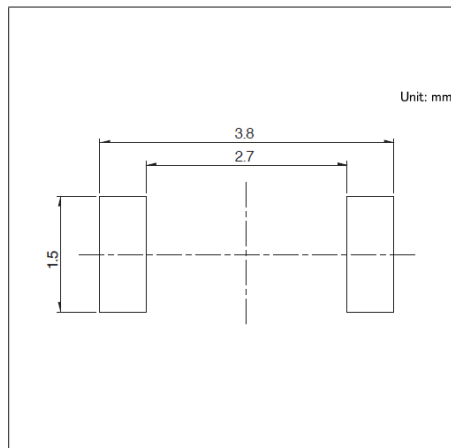
Viewed from mounting face.

Drawing No.2

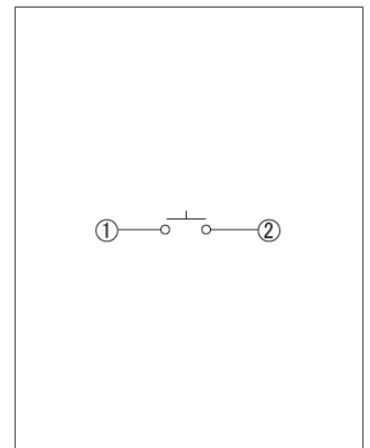
■ Dimensions



■ Land Dimensions



■ Circuit Diagram



Viewed from mounting face.

TACT Switch™ Surface Mount Type

5.9×4.0mm with Projection (Surface Mount) SKTK Series

Long-life type with a height of 0.78mm, capable of 1 million operations, compliant with IP6X equivalent/IPX7.



Water-proof Type

Dust-proof Type

- Series type: Sharp feeling type
- Absolute Maximum Ratings: 50mA 12V DC
- Rating (min.): 10μA 1V DC

Applications: Mobile: Smartphones, tablets, Headsets, wearables, Notebooks, peripherals

Product List

Products No.	Operating direction	Operating force (N)	Travel (mm)	Operating life (cycles)	Initial contact resistance	Dimensions (W×D×H) (mm)	Water-proof	Dust-proof	Water-proof & Dust-proof	Automotive	Drawing No.
SKTKABE010	Top push	2.5	0.23	1,000,000	500mΩ max.	5.9×4.0×0.78	●	●	IP6X equivalent/IPX7	—	1

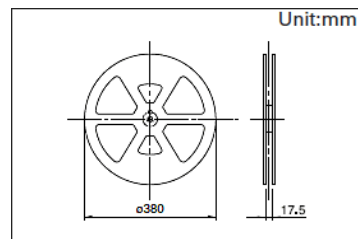
Note

1. This catalog shows only outline specifications. When using the products, please obtain formal specifications for supply.
2. Please place purchase orders for taping products per minimum order unit (1 reel or a case).
3. Protective structure :
Assumes the switch is left alone without being operated. Under the specified conditions, dust and water ingress with a significant impact on the switch's on-off function is prevented.
IP6X equivalent/IPX7 dust and water resistance is guaranteed for the switch alone and performance may not be guaranteed depending on the mounting conditions and usage.

Packing Specifications

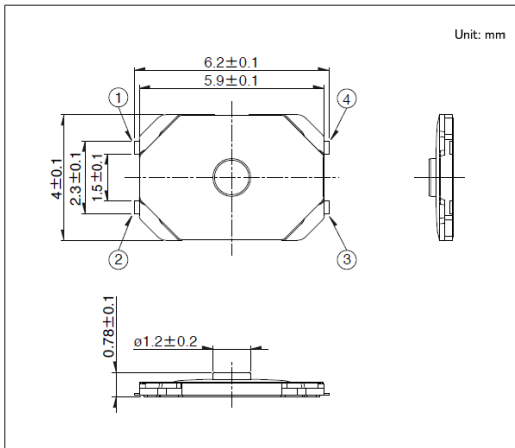
Taping

Number of packages (pcs.)			Tape width (mm)	Export package measurements (mm)
1 reel	1 case / Japan	1 case / export packing		
10,000	80,000	80,000	16	395 x 395 x 205

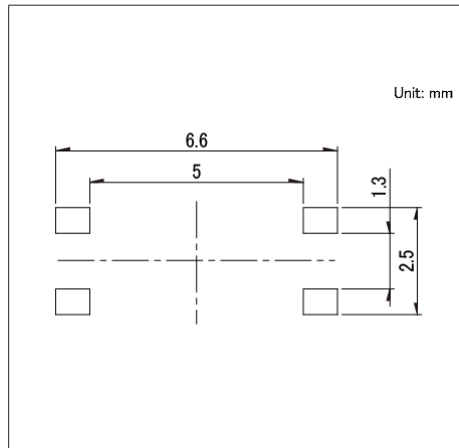


Drawing No. 1

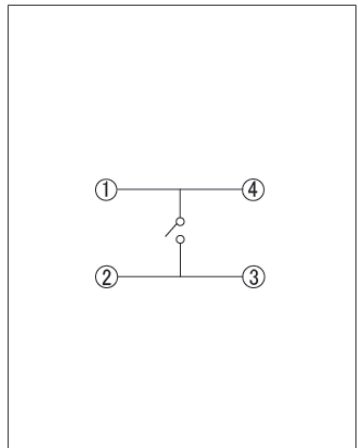
Dimensions



Land Dimensions



Circuit Diagram

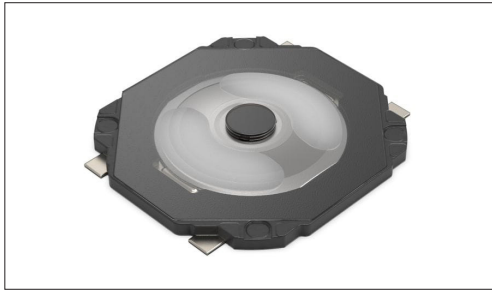


Viewed from switch mounting face

TACT Switch™ Surface Mount Type

7.0×7.5mm with Projection (Surface Mount) SKUA Series

Long-life type with a height of 0.67mm, capable of 6 million operations, compliant with IP6X equivalent/IPX7.



Water-proof Type

Dust-proof Type

- Series type: Sharp feeling type
- Absolute Maximum Ratings: 50mA 12V DC
- Rating (min.): 10μA 1V DC

Applications: Game: Home handheld consoles
Mobile: Smartphones, tablets, Notebooks, peripherals

Product List

Products No.	Operating direction	Operating force (N)	Travel (mm)	Operating life (cycles)	Initial contact resistance	Dimensions (W×D×H) (mm)	Water-proof	Dust-proof	Water-proof & Dust-proof	Automotive	Drawing No.
SKUAAE010	Top push	2.0	0.22	6,000,000	100mΩ max.	7.0×7.5×0.67	●	●	IP6X equivalent/IPX7	—	1

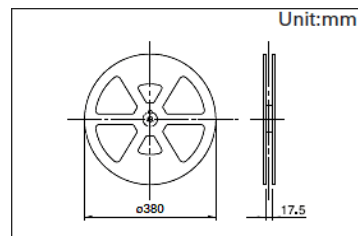
Note

1. This catalog shows only outline specifications. When using the products, please obtain formal specifications for supply.
2. Please place purchase orders for taping products per minimum order unit (1 reel or a case).
3. Protective structure :
Assumes the switch is left alone without being operated. Under the specified conditions, dust and water ingress with a significant impact on the switch's on-off function is prevented.
IP6X equivalent/IPX7 dust and water resistance is guaranteed for the switch alone and performance may not be guaranteed depending on the mounting conditions and usage.

Packing Specifications

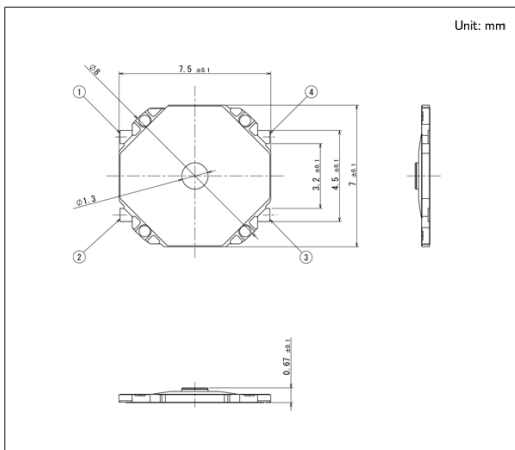
Taping

Number of packages (pcs.)			Tape width (mm)	Export package measurements (mm)
1 reel	1 case / Japan	1 case / export packing		
6,800	54,400	54,400	16	395 x 395 x 205

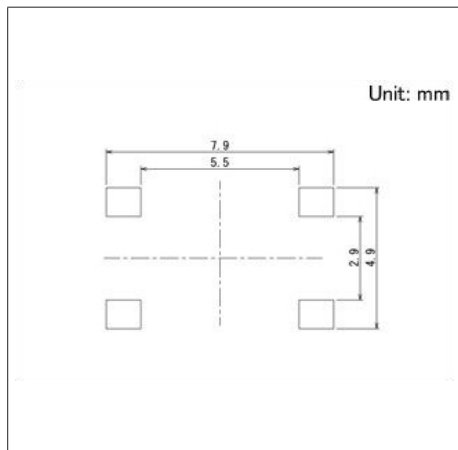


Drawing No. 1

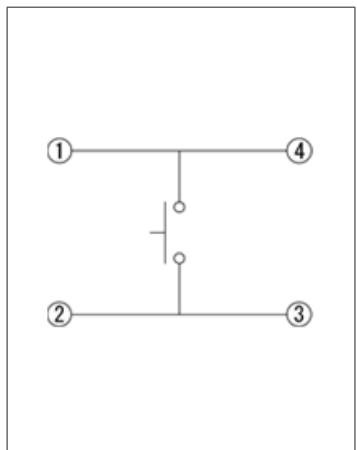
Dimensions



Land Dimensions



Circuit Diagram



Viewed from switch mounting face

TACT Switch™ Surface Mount Type

3.0×2.7mm (Surface Mount)

SKSG Series

Compact short-stroke type with a height of 1.4mm, 0.12mm travel, automotive-compatible, with ground terminal options.



 Automotive

- Series type: Sharp feeling type
- Absolute Maximum Ratings: 50mA 12V DC
- Rating (min.): 10μA 1V DC

Applications: Mobile: Notebooks, peripherals
 Energy_Industrial: Robots, drones, Industrial equipment, Converters
 Game: Home handheld consoles, Virtual/augmented reality
 Automotive: Remote Keyless Entry (RKE), Navigation/audio systems, HVAC, Overhead consoles, Steering, Shifter

■ Product List

Products No.	Type	Operating direction	Operating force (N)	Travel (mm)	Operating life (cycles)	Initial contact resistance	Dimensions (W×D×H) (mm)	Water-proof	Dust-proof	Automotive	Drawing No.
SKSGACE010	Top push type	Top push	1.6	0.12	200,000	100mΩ max.	3.0×2.7×1.4	—	—	●	1
SKSGAFE010		Top push	2.8	0.12	200,000	100mΩ max.	3.0×2.7×1.4	—	—	●	
SKSGAAE010		Top push	4.0	0.12	200,000	100mΩ max.	3.0×2.7×1.4	—	—	●	
SKSGPCE010	With ground terminal type	Top push	1.6	0.12	200,000	100mΩ max.	3.0×2.7×1.4	—	—	●	
SKSGPJE010		Top push	2.0	0.12	200,000	100mΩ max.	3.0×2.7×1.4	—	—	●	
SKSGPGE010		Top push	2.8	0.12	200,000	100mΩ max.	3.0×2.7×1.4	—	—	●	
SKSGPAE010		Top push	4.0	0.12	200,000	100mΩ max.	3.0×2.7×1.4	—	—	●	

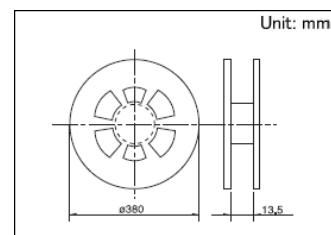
Note

1. This catalog shows only outline specifications. When using the products, please obtain formal specifications for supply.
2. Please place purchase orders for taping products per minimum order unit (1 reel or a case).

■ Packing Specifications

Taping

Number of packages (pcs.)			Tape width (mm)	Export package measurements (mm)
1 reel	1 case / Japan	1 case / export packing		
12,000	120,000	120,000	12	395 x 395 x 205



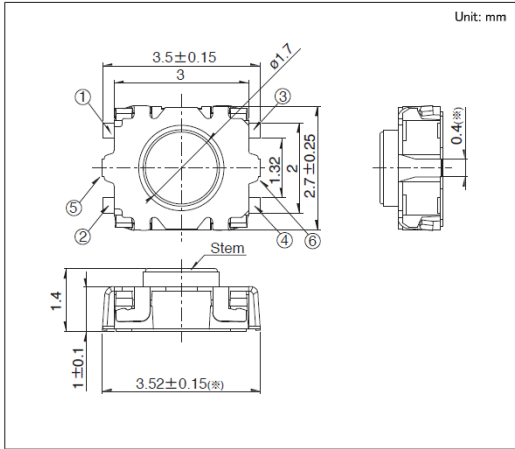
TACT Switch™ Surface Mount Type

3.0x2.7mm (Surface Mount)

SKSG Series

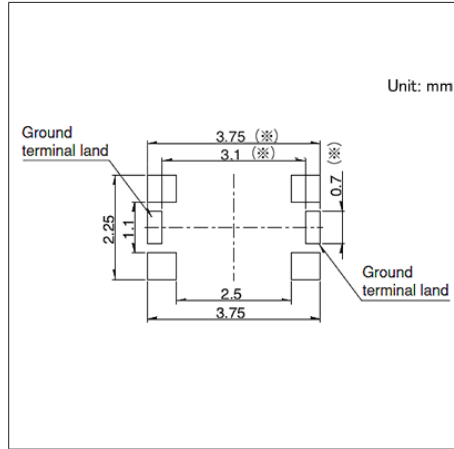
Drawing No.1

■ Dimensions



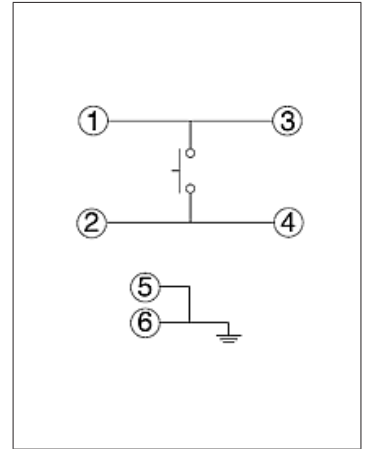
Parts indicated by ⑤, ⑥ and ※ apply only to products with a ground terminal.

■ Land Dimensions



Viewed from switch mounting face
Parts indicated by a ※ apply only to products with a ground terminal.

■ Circuit Diagram



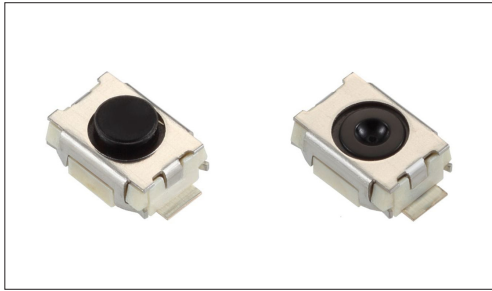
Parts indicated by ⑤ and ⑥ apply only to products with a ground terminal.

TACT Switch™ Surface Mount Type

3.9×2.9mm (Surface Mount)

SKRK Series

Short-stroke type with 0.13mm travel and heights of 1.5mm & 2.0mm.



- Series type: Sharp feeling type
- Absolute Maximum Ratings: 50mA 12V DC
- Rating (min.): 10μA 1V DC

Applications: Mobile: Notebooks, peripherals
 Energy_Industrial: Robots, drones, Industrial equipment, Converters

■ Product List

Products No.	Operating direction	Operating force (N)	Travel (mm)	Operating life (cycles)	Initial contact resistance	Dimensions (W×D×H) (mm)	Water-proof	Dust-proof	Automotive	Drawing No.
SKRKAHE020	Top push	0.98	0.13	200,000	500mΩ max.	3.9×2.9×2.0	—	—	—	1
SKRKAEE020	Top push	1.57	0.13	200,000	100mΩ max.	3.9×2.9×2.0	—	—	—	
SKRKAGE020	Top push	1.57	0.13	200,000	100mΩ max.	3.9×2.9×1.5	—	—	—	2

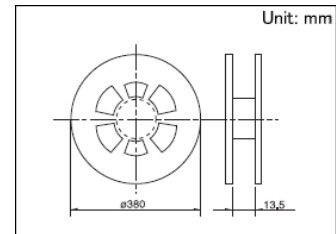
Note

1. This catalog shows only outline specifications. When using the products, please obtain formal specifications for supply.
2. Please place purchase orders for taping products per minimum order unit (1 reel or a case).

■ Packing Specifications

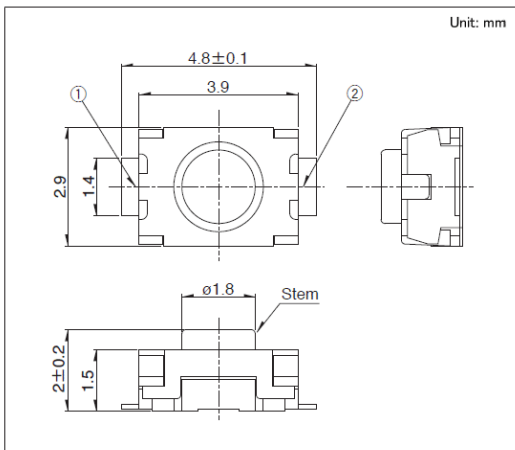
Taping

Products No.	Number of packages(pcs.)			Tape width (mm)	Export package measurements (mm)
	1 reel	1 case / Japan	1 case / export packing		
SKRKAHE020 SKRKAEE020	4,500	45,000	45,000	12	395 x 395 x 205
SKRKAGE020	5,000	50,000	50,000	12	395 x 395 x 205

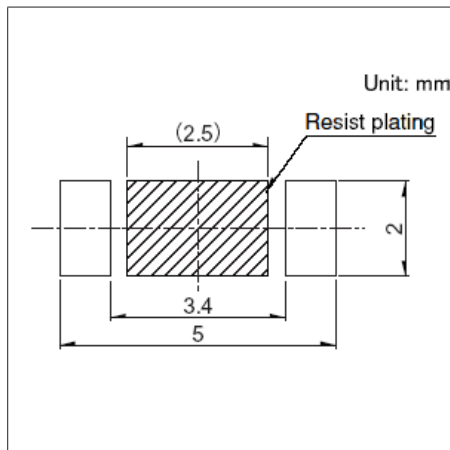


Drawing No. 1

■ Dimensions

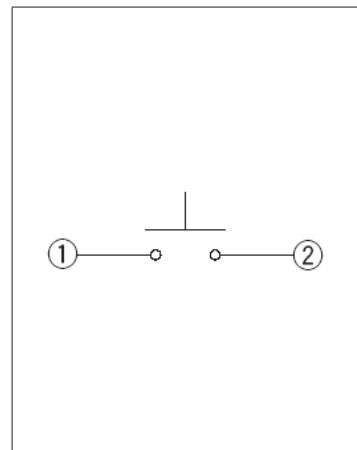


■ Land Dimensions



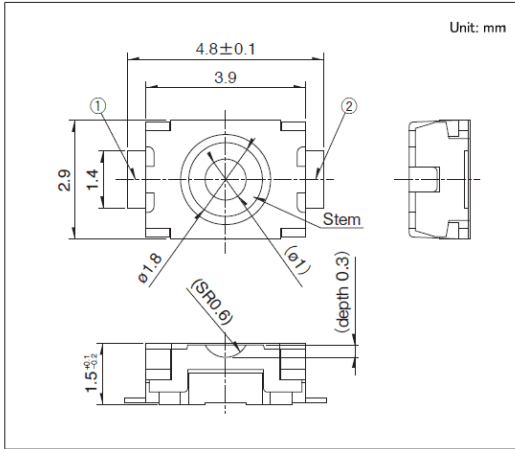
Viewed from mounting face.

■ Circuit Diagram

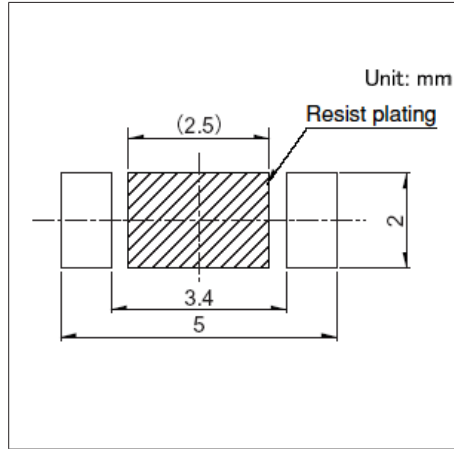


Drawing No.2

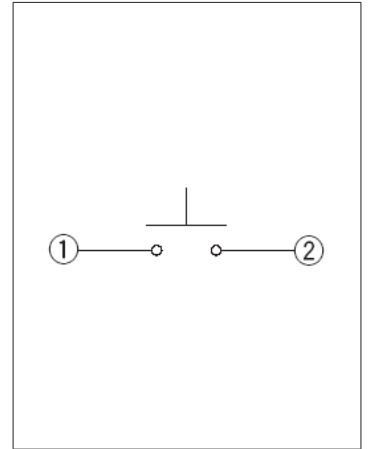
■ Dimensions



■ Land Dimensions



■ Circuit Diagram



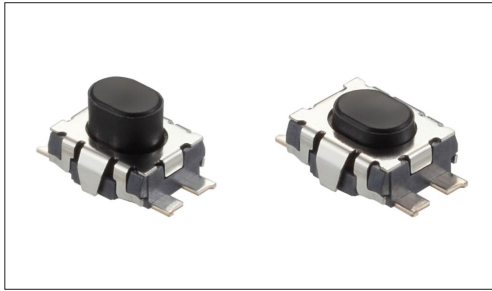
Viewed from mounting face.

TACT Switch™ Surface Mount Type

3.5×3.2mm (Surface Mount)

SKTH Series

Short-stroke type with dust-proof performance (IP6X equivalent) due to contact sealing structure, automotive-compatible.



Automotive

Dust-proof Type

- Series type: Sharp feeling type
- Absolute Maximum Ratings: 25mA 16V DC
- Rating (min.): 10μA 1V DC

Applications: Energy_Industrial: Robots, drones, Industrial equipment, Converters
 Game: Home handheld consoles
 Automotive: Remote Keyless Entry (RKE), Navigation/audio systems, HVAC, Overhead consoles, Steering

Product List

Products No.	Operating direction	Operating force (N)	Travel (mm)	Operating life (cycles)	Initial contact resistance	Dimensions (W×D×H) (mm)	Water-proof	Dust-proof	Water-proof & Dust-proof	Automotive	Drawing No.
SKTHBAE010	Top push	3.0	0.12	200,000	500mΩ max.	3.5×3.2×2.5	—	●	IP6X equivalent	●	1
SKTHACE010	Top push	1.4	0.12	100,000	1Ω max.	3.5×3.2×1.8	—	●	IP6X equivalent	●	2
SKTHAEE010	Top push	5.0	0.15	200,000	500mΩ max.	3.5×3.2×1.75	—	●	IP6X equivalent	●	3
SKTHAHE010	Top push	3.0	0.12	200,000	500mΩ max.	3.5×3.2×1.8	—	●	IP6X equivalent	●	2
SKTHAJE010	Top push	7.0	0.15	100,000	500mΩ max.	3.5×3.2×1.75	—	●	IP6X equivalent	●	3

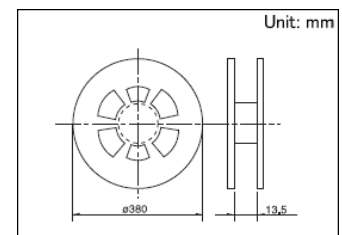
Note

1. This catalog shows only outline specifications. When using the products, please obtain formal specifications for supply.
2. Please place purchase orders for taping products per minimum order unit (1 reel or a case).

Packing Specifications

Taping

Products No.	Number of packages(pcs.)			Tape width (mm)	Export package measurements (mm)
	1 reel	1 case / Japan	1 case / export packing		
SKTHBAE010	4,000	40,000	40,000	12	395 x 395 x 205
SKTHACE010 SKTHAEE010 SKTHAHE010 SKTHAJE010	5,000	50,000	50,000	12	395 x 395 x 205



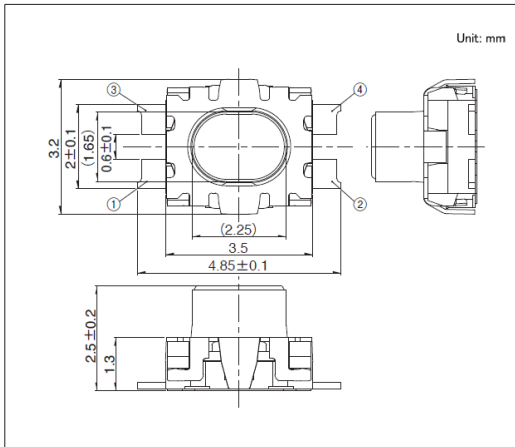
TACT Switch™ Surface Mount Type

3.5x3.2mm (Surface Mount)

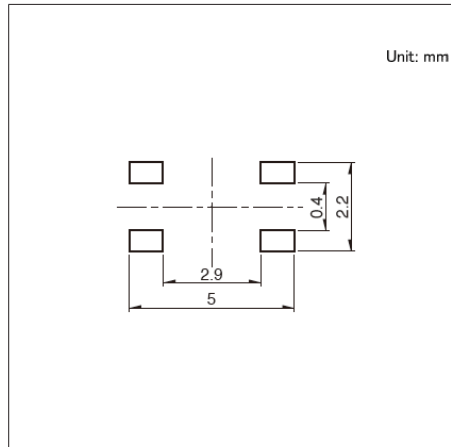
SKTH Series

Drawing No.1

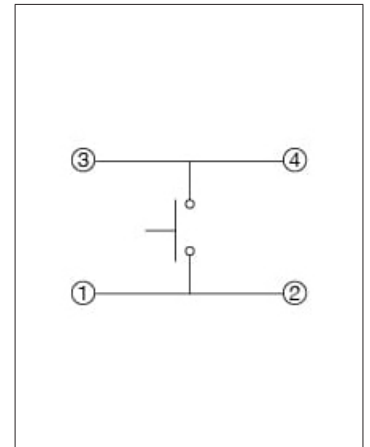
■ Dimensions



■ Land Dimensions



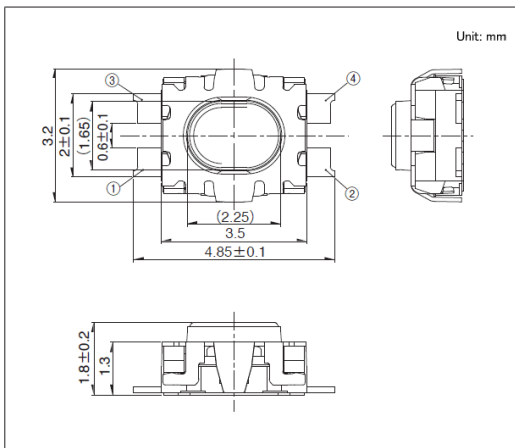
■ Circuit Diagram



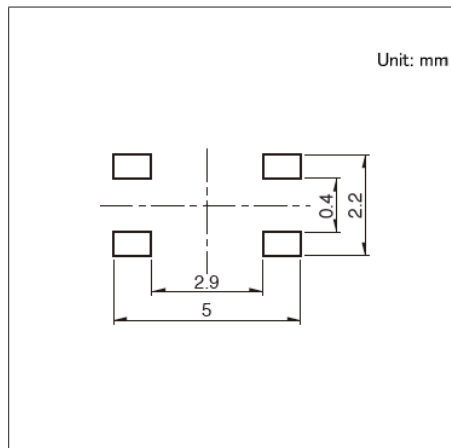
Viewed from mounting face.

Drawing No.2

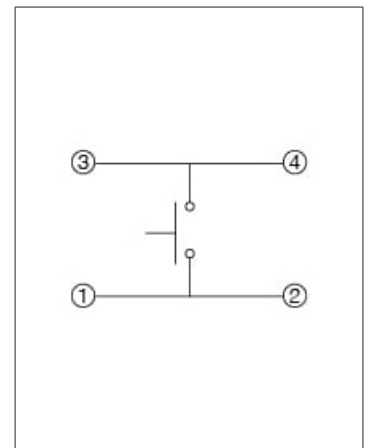
■ Dimensions



■ Land Dimensions



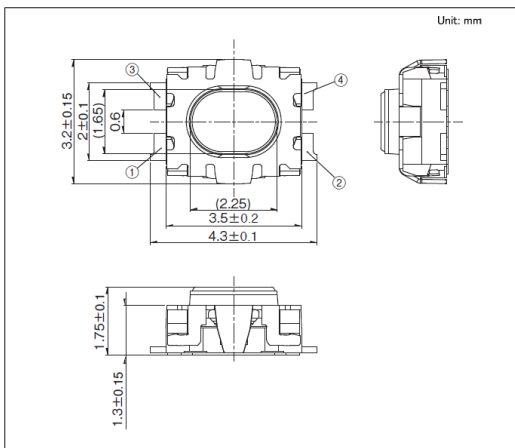
■ Circuit Diagram



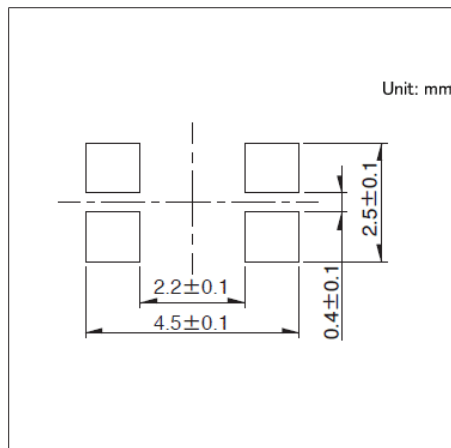
Viewed from switch mounting face

Drawing No.3

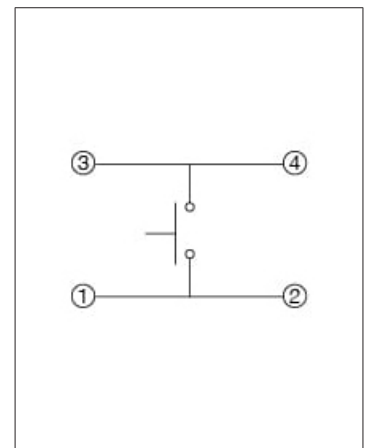
■ Dimensions



■ Land Dimensions



■ Circuit Diagram



Viewed from switch mounting face

TACT Switch™ Surface Mount Type

4.2×3.2mm Compact High Operating Force (Surface Mount)

SKRP Series

Short-stroke type with a height of 2.5mm, 0.2mm travel, wide stem area for excellent mountability, with long-life options.



 Automotive

※Please check the product list for compatible products

- Series type: Sharp feeling type
- Absolute Maximum Ratings: 50mA 16V DC
- Rating (min.): 10μA 1V DC

Applications: Mobile: Notebooks, peripherals
 Energy_Industrial: Robots, drones, Industrial equipment, Converters
 Game: Home handheld consoles, Virtual/augmented reality
 Healthcare: Healthcare equipment, Nursing care equipment, Analysis, test equipment
 Home: Major home appliances, Office equipment
 Audio_TV: Visual, Audio, Pro audio
 Automotive: Remote Keyless Entry (RKE), Navigation/audio systems, HVAC, Overhead consoles, Steering, Shifter

■ Product List

Products No.	Type	Operating direction	Operating force (N)	Travel (mm)	Operating life (cycles)	Initial contact resistance	Dimensions (W×D×H) (mm)	Water-proof	Dust-proof	Automotive	Drawing No.
SKRPAKE010	Standard type	Top push	1.0	0.15	1,000,000	500mΩ max.	4.2×3.2×2.5	—	—	—	1
SKRPABE010		Top push	1.57	0.2	100,000	500mΩ max.	4.2×3.2×2.5	—	—	●	
SKRPACE010		Top push	2.55	0.2	50,000	500mΩ max.	4.2×3.2×2.5	—	—	●	
SKRPAME010		Top push	3.0	0.2	100,000	500mΩ max.	4.2×3.2×2.5	—	—	●	
SKRPADE010		Top push	4.0	0.2	100,000	500mΩ max.	4.2×3.2×2.5	—	—	●	
SKRPARE010		Top push	5.0	0.2	300,000	500mΩ max.	4.2×3.2×2.5	—	—	●	
SKRPANE010	Long life type	Top push	1.57	0.2	1,000,000	500mΩ max.	4.2×3.2×2.5	—	—	●	
SKRPASE010		Top push	2.55	0.2	500,000	500mΩ max.	4.2×3.2×2.5	—	—	●	

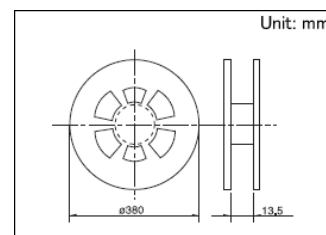
Note

1. This catalog shows only outline specifications. When using the products, please obtain formal specifications for supply.
2. Please place purchase orders for taping products per minimum order unit (1 reel or a case).

■ Packing Specifications

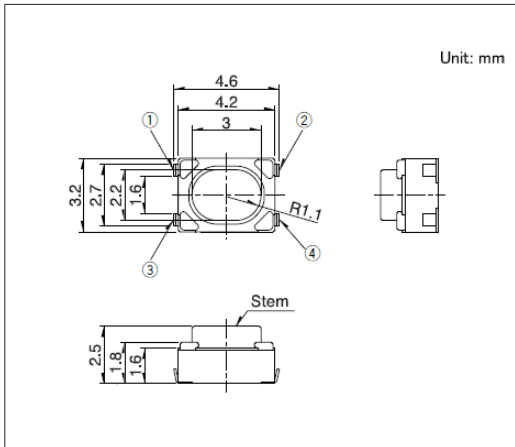
Taping

Number of packages (pcs.)			Tape width (mm)	Export package measurements (mm)
1 reel	1 case / Japan	1 case / export packing		
4,000	40,000	40,000	12	395 x 395 x 205

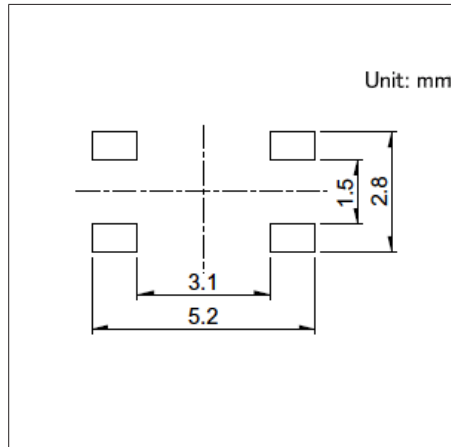


Drawing No.1

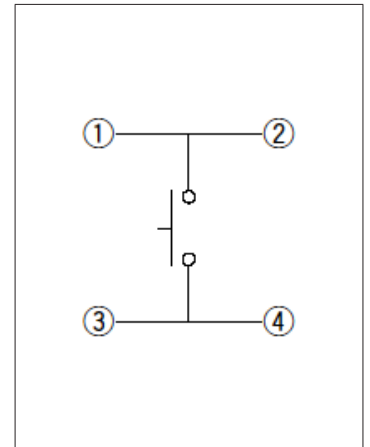
■ Dimensions



■ Land Dimensions



■ Circuit Diagram



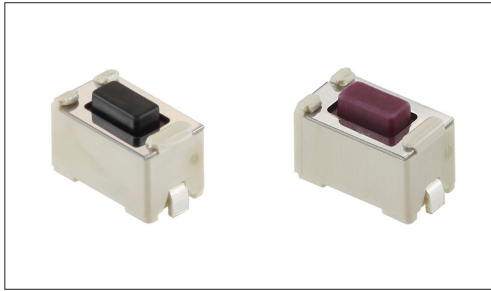
Viewed from mounting face.

TACT Switch™ Surface Mount Type

6.0×3.5mm (Surface Mount)

SKQM Series

Heights of 4.3mm and 5mm available.



 Automotive

- Series type: Sharp feeling type
- Absolute Maximum Ratings: 50mA 12V DC
- Rating (min.): 10μA 1V DC

Applications: Energy_Industrial: Industrial equipment
Home: Office equipment
Automotive: Navigation/audio systems, HVAC,
Overhead consoles, Steering

Product List

Products No.	Operating direction	Operating force (N)	Travel (mm)	Operating life (cycles)	Initial contact resistance	Dimensions (W×D×H) (mm)	Water-proof	Dust-proof	Automotive	Drawing No.
SKQMBAE010	Top push	0.98	0.25	50,000	500mΩ max.	6.0×3.5×4.3	—	—	●	1
SKQMASE010	Top push	1.57	0.25	50,000	500mΩ max.	6.0×3.5×4.3	—	—	●	
SKQMAQE010	Top push	2.55	0.25	30,000	500mΩ max.	6.0×3.5×4.3	—	—	●	
SKQMATE010	Top push	0.98	0.25	50,000	500mΩ max.	6.0×3.5×5.0	—	—	●	2
SKQMBBE010	Top push	1.57	0.25	50,000	500mΩ max.	6.0×3.5×5.0	—	—	●	
SKQMARE010	Top push	2.55	0.25	30,000	500mΩ max.	6.0×3.5×5.0	—	—	●	

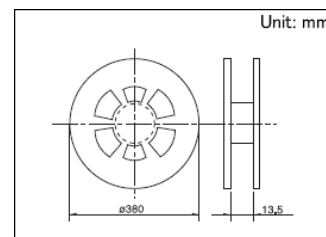
Note

1. This catalog shows only outline specifications. When using the products, please obtain formal specifications for supply.
2. Please place purchase orders for taping products per minimum order unit (1 reel or a case).

Packing Specifications

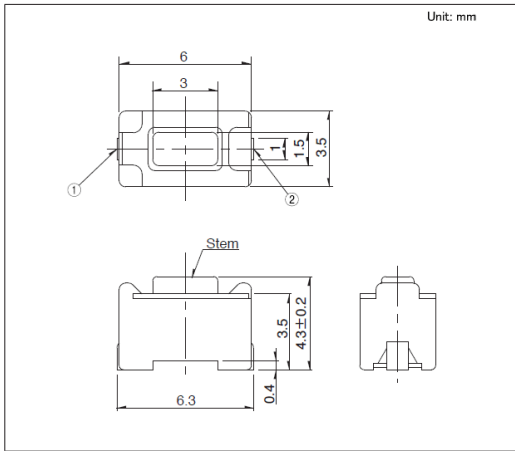
Taping

Number of packages (pcs.)			Tape width (mm)	Export package measurements (mm)
1 reel	1 case / Japan	1 case / export packing		
2,000	20,000	20,000	12	395 x 395 x 205

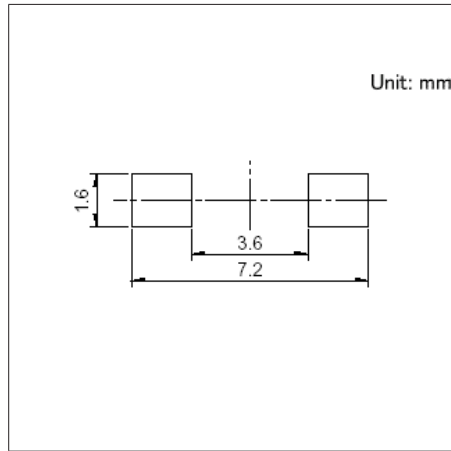


Drawing No.1

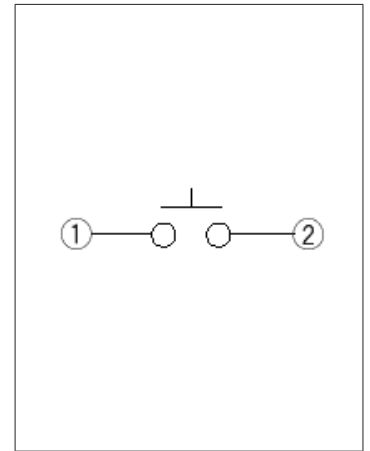
■ Dimensions



■ Land Dimensions



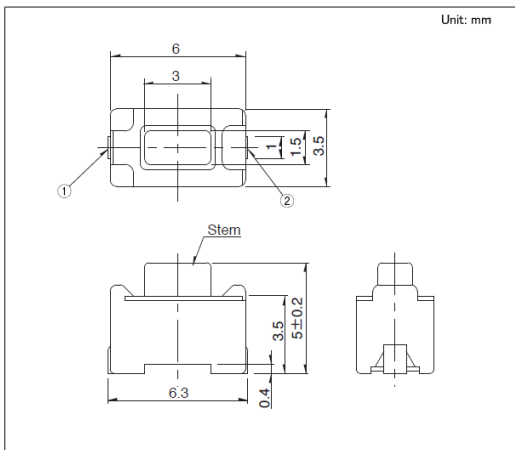
■ Circuit Diagram



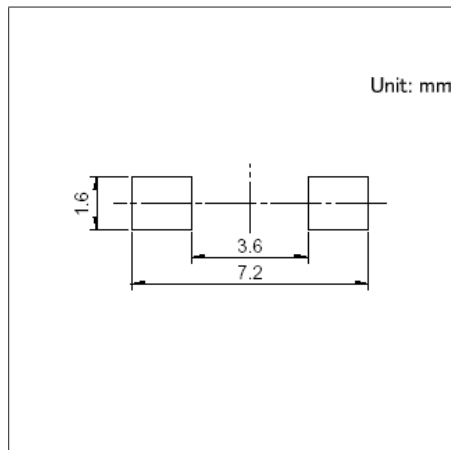
Viewed from mounting face.

Drawing No.2

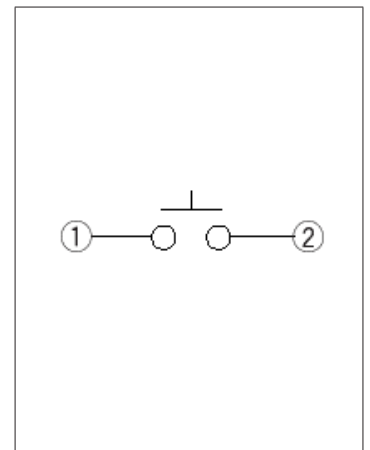
■ Dimensions



■ Land Dimensions



■ Circuit Diagram



Viewed from mounting face.

TACT Switch™ Surface Mount Type

6.1×3.7mm (Surface Mount)

SKQY Series

High-speed mounting type with a height of 2.5mm, with ground terminal options.



 Automotive

- Series type: Sharp feeling type
- Absolute Maximum Ratings: 50mA 12V DC
- Rating (min.): 10μA 1V DC

Applications: Energy_Industrial: Industrial equipment
 Home: Office equipment
 Automotive: Navigation/audio systems, HVAC,
 Overhead consoles, Steering

Product List

Products No.	Type	Operating direction	Operating force (N)	Travel (mm)	Operating life (cycles)	Initial contact resistance	Dimensions (W×D×H) (mm)	Water-proof	Dust-proof	Automotive	Drawing No.
SKQYACE010	Top push type	Top push	0.98	0.25	50,000	500mΩ max.	6.1×3.7×2.5	—	—	●	1
SKQYAAE010		Top push	1.57	0.25	50,000	500mΩ max.	6.1×3.7×2.5	—	—	●	
SKQYABE010		Top push	2.55	0.25	50,000	500mΩ max.	6.1×3.7×2.5	—	—	●	
SKQYAFE010		Top push	3.14	0.25	50,000	500mΩ max.	6.1×3.7×2.5	—	—	●	
SKQYPCE010	With ground terminal type	Top push	0.98	0.25	50,000	500mΩ max.	6.1×3.7×2.5	—	—	●	2
SKQYPAE010		Top push	1.57	0.25	50,000	500mΩ max.	6.1×3.7×2.5	—	—	●	
SKQYPBE010		Top push	2.55	0.25	50,000	500mΩ max.	6.1×3.7×2.5	—	—	●	
SKQYPDE010		Top push	3.14	0.25	50,000	500mΩ max.	6.1×3.7×2.5	—	—	●	

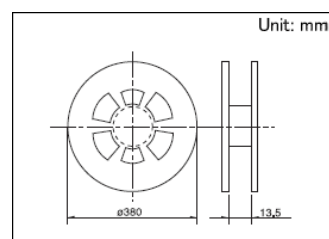
Note

1. This catalog shows only outline specifications. When using the products, please obtain formal specifications for supply.
2. Please place purchase orders for taping products per minimum order unit (1 reel or a case).

Packing Specifications

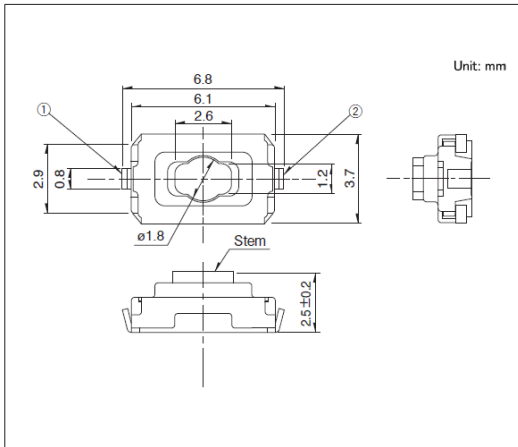
Taping

Number of packages (pcs.)			Tape width (mm)	Export package measurements (mm)
1 reel	1 case / Japan	1 case / export packing		
3,000	30,000	30,000	12	395 x 395 x 205

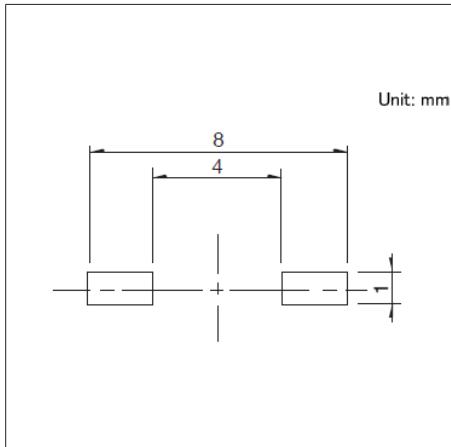


Drawing No.1

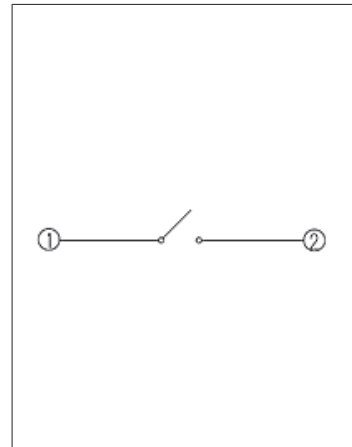
■ Dimensions



■ Land Dimensions



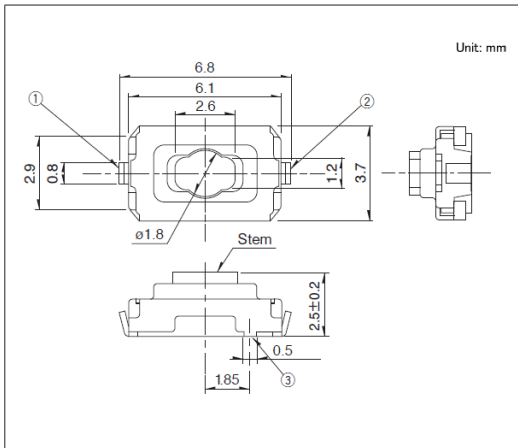
■ Circuit Diagram



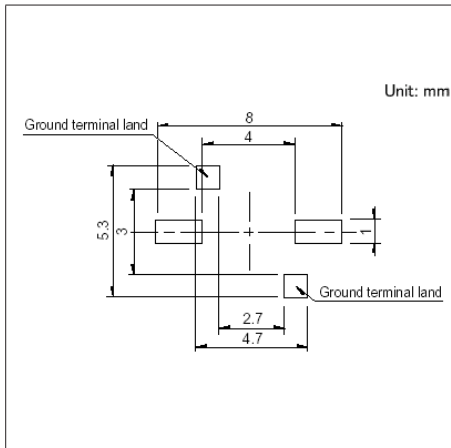
Viewed from mounting face.

Drawing No.2

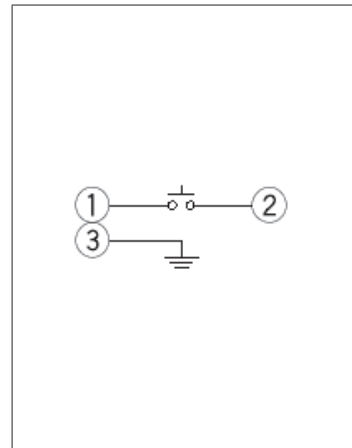
■ Dimensions



■ Land Dimensions



■ Circuit Diagram



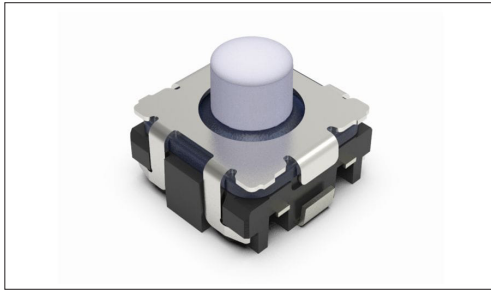
Viewed from mounting face.

TACT Switch™ Surface Mount Type

5.3×5.4mm (Surface Mount)

SKTQ Series

Compact mid-stroke type with reliable operation feel, including small-click and long-life variants.



 Automotive

- Series type: Sharp feeling type
- Absolute Maximum Ratings: 50mA 16V DC
- Rating (min.): 10μA 1V DC

Applications: Automotive: Navigation/audio systems, HVAC, Overhead consoles, Steering, Shifter

Product List

Products No.	Operating direction	Operating force (N)	Click type	Travel (mm)	Operating life (cycles)	Initial contact resistance	Dimensions (W×D×H) (mm)	Water-proof	Dust-proof	Automotive	Drawing No.
SKTQADE010	Top push	2.5	Standard	0.7	200,000	100mΩ max.	5.3×5.4×4.25	—	—	●	1
SKTQABE010	Top push	3.0	Standard	0.71	200,000	100mΩ max.	5.3×5.4×4.25	—	—	●	
SKTQAAE010	Top push	5.0	Standard	0.71	200,000	100mΩ max.	5.3×5.4×4.25	—	—	●	
SKTQAGE010	Top push	5.0	Standard	0.7	1,000,000	100mΩ max.	5.3×5.4×4.25	—	—	●	
SKTQAFE010	Top push	3.0	Low click	0.73	500,000	100mΩ max.	5.3×5.4×4.25	—	—	●	
SKTQACE010	Top push	3.5	Low click	0.71	500,000	100mΩ max.	5.3×5.4×4.25	—	—	●	
SKTQAAE010	Top push	5.0	Low click	0.74	200,000	100mΩ max.	5.3×5.4×4.25	—	—	●	

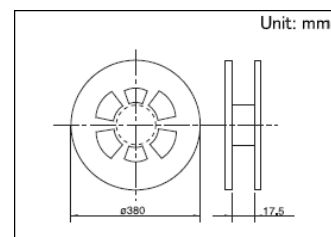
Note

1. This catalog shows only outline specifications. When using the products, please obtain formal specifications for supply.
2. Please place purchase orders for taping products per minimum order unit (1 reel or a case).

Packing Specifications

Taping

Number of packages (pcs.)			Tape width (mm)	Export package measurements (mm)
1 reel	1 case / Japan	1 case / export packing		
2,200	17,600	17,600	16	395 x 395 x 205



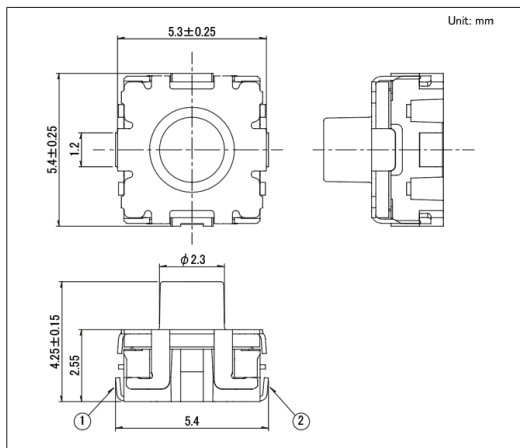
TACT Switch™ Surface Mount Type

5.3×5.4mm (Surface Mount)

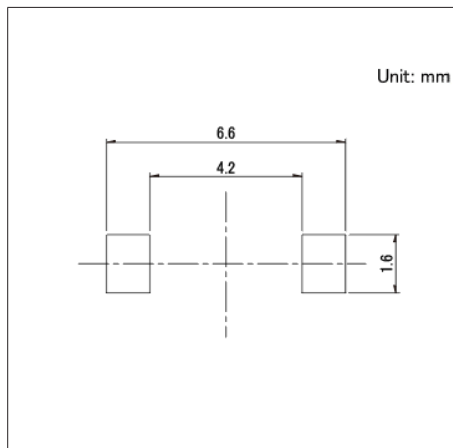
SKTQ Series

Drawing No.1

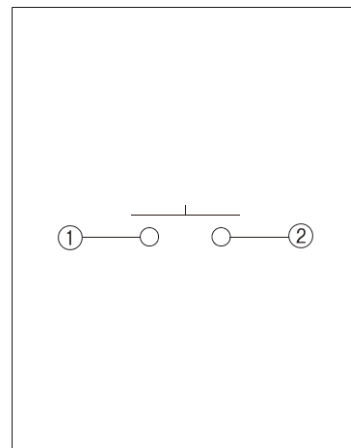
■ Dimensions



■ Land Dimensions



■ Circuit Diagram



Viewed from switch mounting face

TACT Switch™ Surface Mount Type

5.3×5.4mm (Surface Mount)

SKSU Series

Compact, quiet, heavy-duty mid-stroke type compliant with IP6X equivalent/IPX7.



Automotive

Water-proof Type

Dust-proof Type

※Please check the product list for compatible products

- Series type: Sharp feeling type
- Absolute Maximum Ratings: 50mA 16V DC
- Rating (min.): 10μA 1V DC

Applications: Home: Major home appliances
 Mobile: Headsets, wearables
 Game: Home handheld consoles
 Audio_TV: Pro audio
 Automotive: Navigation/audio systems, HVAC,
 Overhead consoles, Steering, Shifter

Product List

Products No.	Operating direction	Operating force (N)	Travel (mm)	Operating life (cycles)	Initial contact resistance	Dimensions (W×D×H) (mm)	Water-proof	Dust-proof	Water-proof & Dust-proof	Automotive	Drawing No.
SKSUBCE010	Top push	3.0	0.9	250,000	100mΩ max.	5.3×5.4×4.34	●	●	IP6X equivalent/IPX7	●	1
SKSUAAE010	Top push	3.5	0.7	250,000	100mΩ max.	5.3×5.4×3.85	●	●	IP6X equivalent/IPX7	●	2
SKSUBBE010	Top push	5.0	1.04	250,000	100mΩ max.	5.3×5.4×4.34	●	●	IP6X equivalent/IPX7	●	1
SKSUBDE010	Top push	1.4	0.8	2,000,000	500mΩ max.	5.3×5.4×4.34	●	●	IP6X equivalent/IPX7	—	

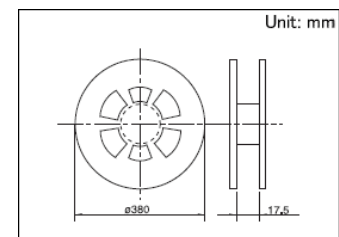
⚠ Note

1. This catalog shows only outline specifications. When using the products, please obtain formal specifications for supply.
2. Please place purchase orders for taping products per minimum order unit (1 reel or a case).
3. Protective structure :
 Assumes the switch is left alone without being operated. Under the specified conditions, dust and water ingress with a significant impact on the switch's on-off function is prevented.
 IP6X equivalent/IPX7 dust and water resistance is guaranteed for the switch alone and performance may not be guaranteed depending on the mounting conditions and usage.

Packing Specifications

Taping

Products No.	Number of packages(pcs.)			Tape width (mm)	Export package measurements (mm)
	1 reel	1 case / Japan	1 case / export packing		
SKSUBCE010 SKSUBBE010 SKSUBDE010	2,200	17,600	17,600	16	395 x 395 x 205
SKSUAAE010	2,400	19,200	19,200	16	395 x 395 x 205



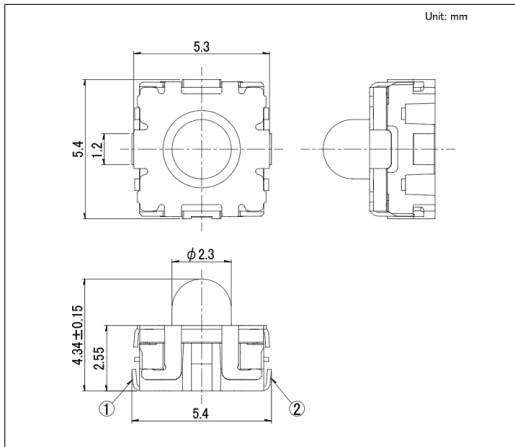
TACT Switch™ Surface Mount Type

5.3x5.4mm (Surface Mount)

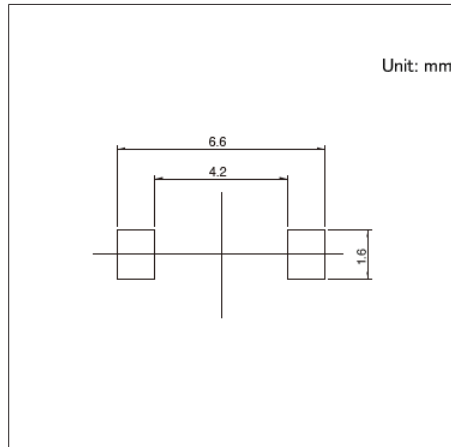
SKSU Series

Drawing No.1

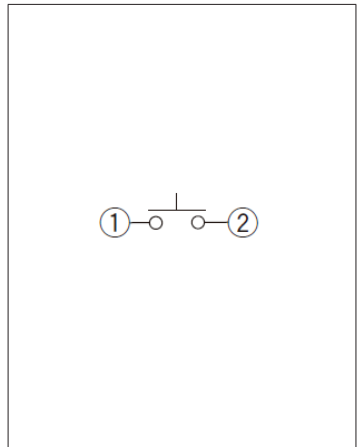
■ Dimensions



■ Land Dimensions



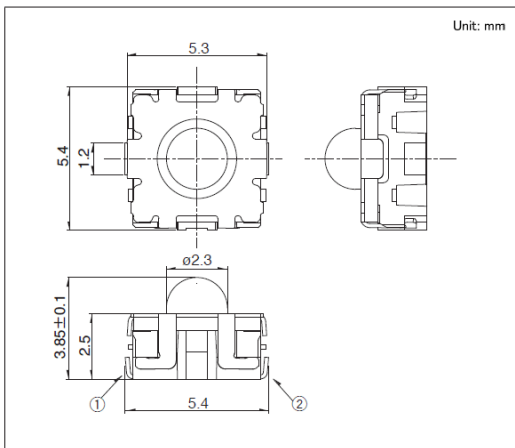
■ Circuit Diagram



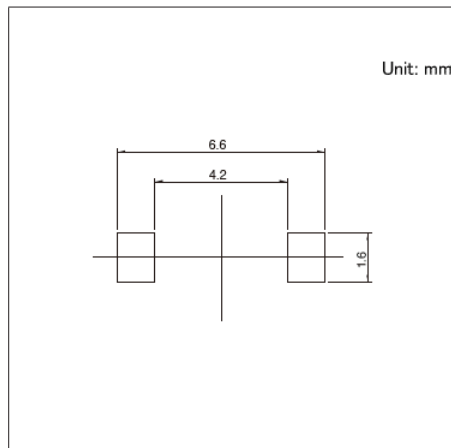
Viewed from switch mounting face

Drawing No.2

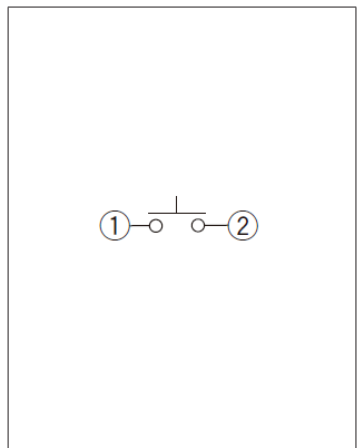
■ Dimensions



■ Land Dimensions



■ Circuit Diagram

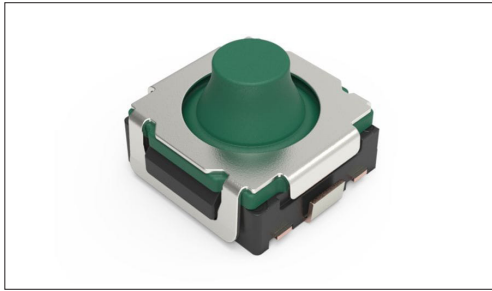


Viewed from switch mounting face

TACT Switch™ Surface Mount Type

6.1mm Square (Surface Mount) SKTR Series

Quiet mid-stroke type with reliable operation feel and dust-proof performance (IP6X equivalent).



Automotive

Dust-proof Type

- Series type: Sharp feeling type
- Absolute Maximum Ratings: 50mA 16V DC
- Rating (min.): 10μA 1V DC

Applications: Automotive: Navigation/audio systems, HVAC, Overhead consoles, Steering, Shifter

Product List

Products No.	Operating direction	Operating force (N)	Click type	Travel (mm)	Operating life (cycles)	Initial contact resistance	Dimensions (W×D×H) (mm)	Water-proof	Dust-proof	Water-proof & Dust-proof	Automotive	Drawing No.
SKTRAE010	Top push	3.8	Standard	0.72	200,000	500mΩ max.	6.1×6.1×4.1	—	●	IP6X equivalent	●	1
SKTRAF010	Top push	4.0	Low click	0.78	200,000	500mΩ max.	6.1×6.1×4.1	—	●	IP6X equivalent	●	
SKTRAGE010	Top push	3.0	Low click	0.75	200,000	500mΩ max.	6.1×6.1×4.1	—	●	IP6X equivalent	●	

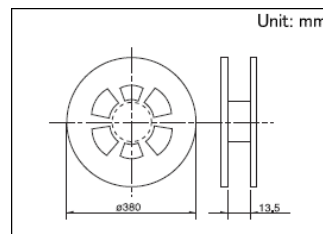
Note

1. This catalog shows only outline specifications. When using the products, please obtain formal specifications for supply.
2. Please place purchase orders for taping products per minimum order unit (1 reel or a case).

Packing Specifications

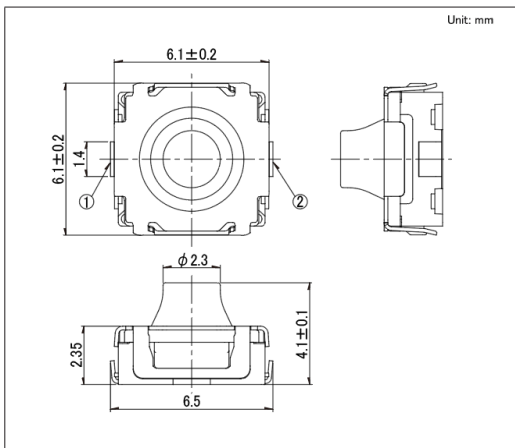
Taping

Number of packages (pcs.)			Tape width (mm)	Export package measurements (mm)
1 reel	1 case / Japan	1 case / export packing		
2,500	25,000	25,000	12	395 x 395 x 205

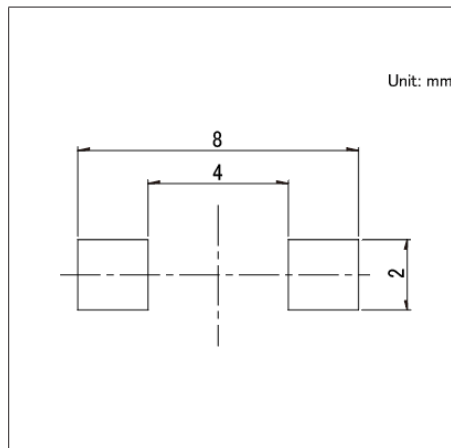


Drawing No. 1

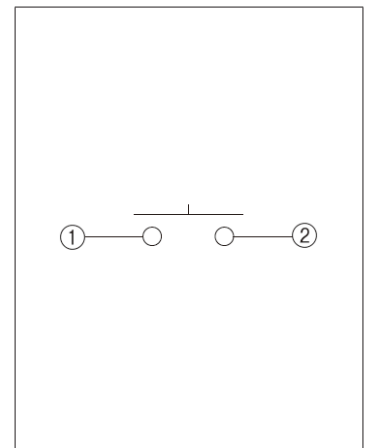
Dimensions



Land Dimensions



Circuit Diagram



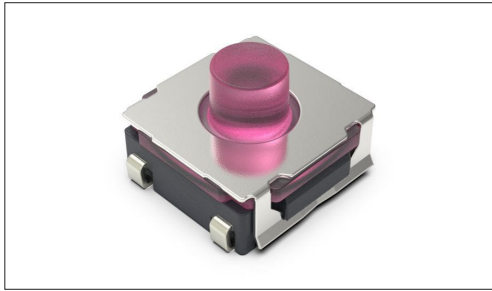
Viewed from switch mounting face

TACT Switch™ Surface Mount Type

6.2mm Square (Surface Mount) SKTT Series

Mid-stroke type with a height of 4.4mm, operating force of 4N, 500,000 operation cycles, and 0.36mm travel.

 Automotive



- Series type: Sharp feeling type
- Absolute Maximum Ratings: 50mA 16V DC
- Rating (min.): 10μA 1V DC

Applications: Energy_Industrial: Industrial equipment
 Healthcare: Healthcare equipment
 Home: Major home appliances
 Automotive: Navigation/audio systems, HVAC, Steering

Product List

Products No.	Operating direction	Operating force (N)	Travel (mm)	Operating life (cycles)	Initial contact resistance	Dimensions (W×D×H) (mm)	Water-proof	Dust-proof	Automotive	Drawing No.
SKTTABE010	Top push	4.0	0.36	500,000	100mΩ max.	6.2×6.2×4.4	—	—	<input checked="" type="checkbox"/>	1

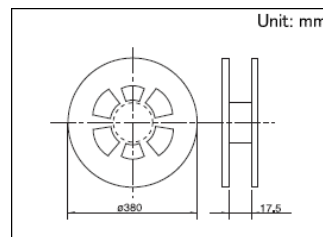
Note

1. This catalog shows only outline specifications. When using the products, please obtain formal specifications for supply.
2. Please place purchase orders for taping products per minimum order unit (1 reel or a case).

Packing Specifications

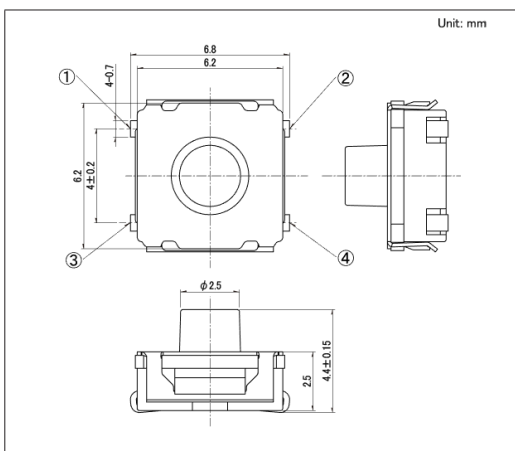
Taping

Number of packages (pcs.)			Tape width (mm)	Export package measurements (mm)
1 reel	1 case / Japan	1 case / export packing		
1,600	12,800	12,800	16	395 x 395 x 205

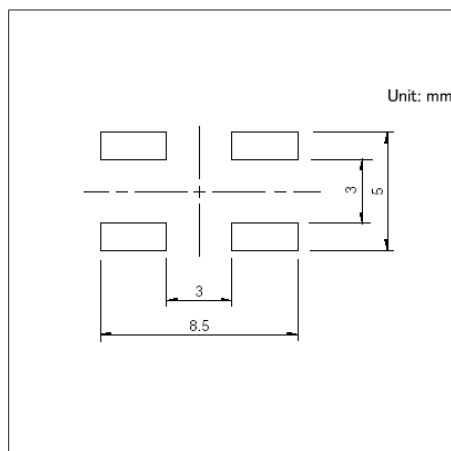


Drawing No.1

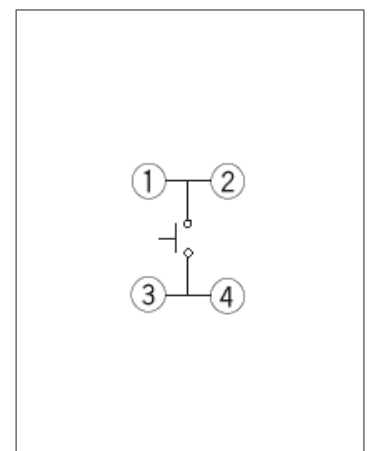
Dimensions



Land Dimensions



Circuit Diagram

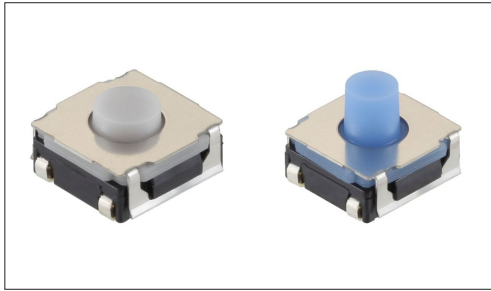


Viewed from switch mounting face

TACT Switch™ Surface Mount Type

6.2mm Square (Surface Mount) SKRA Series

Variety of mid-stroke types with rubber stems and 0.25–0.55mm travel.



Automotive

Water-proof Type

Dust-proof Type

※Please check the product list for compatible products

- Series type: Sharp feeling type
- Absolute Maximum Ratings: 50mA 12V DC
- Rating (min.): 10 μ A 1V DC

Applications: Mobile: Notebooks, peripherals
 Energy_Industrial: Robots, drones, Industrial equipment, Converters
 Game: Home handheld consoles, Virtual/augmented reality
 Healthcare: Healthcare equipment, Nursing care equipment, Analysis, test equipment
 Home: Major home appliances, Office equipment
 Automotive: Navigation/audio systems, HVAC, Overhead consoles, Steering, Shifter

Product List

Products No.	Operating direction	Operating force (N)	Operation sound	Travel (mm)	Operating life (cycles)	Initial contact resistance	Dimensions (W×D×H) (mm)	Water-proof	Dust-proof	Water-proof & Dust-proof	Automotive	Drawing No.
SKRAAWE010	Top push	0.6	standard	0.3	4,000,000	100m Ω max	6.2×6.2×3.5	—	—	—	—	1
SKRAAKE010	Top push	2.45	standard	0.3	100,000	100m Ω max	6.2×6.2×3.5	●	●	IP6X equivalent/IPX7	●	2
SKRAALE010	Top push	3.92	standard	0.35	100,000	100m Ω max.	6.2×6.2×3.5	●	●	IP6X equivalent/IPX7	●	
SKRAAME010	Top push	1.96	standard	0.5	100,000	100m Ω max.	6.2×6.2×5.2	●	●	IP6X equivalent/IPX7	●	3
SKRAAQE010	Top push	3.43	standard	0.55	100,000	100m Ω max.	6.2×6.2×5.2	●	●	IP6X equivalent/IPX7	●	
SKRABCE010	Top push	1.2	standard	0.4	3,000,000	100m Ω max.	6.2×6.2×3.5	—	—	—	—	1
SKRABGE010	Top push	2.0	standard	0.25	2,000,000	100m Ω max.	6.2×6.2×3.5	●	●	IP6X equivalent/IPX7	—	2
SKRABNE010	Top push	2.0	standard	0.4	5,000,000	100m Ω max.	6.2×6.2×3.4	●	●	IP6X equivalent/IPX7	—	4
SKRACAE010	Top push	0.6	Low operation sound	0.25	10,000,000	100m Ω max.	6.2×6.2×3.5	—	●	IP6X equivalent	—	5
SKRACBE010	Top push	1.2	Low operation sound	0.3	5,000,000	100m Ω max.	6.2×6.2×3.55	—	●	IP6X equivalent	—	6
SKRACCE010	Top push	1.6	Low operation sound	0.35	3,000,000	100m Ω max.	6.2×6.2×3.55	—	●	IP6X equivalent	—	

Note

1. This catalog shows only outline specifications. When using the products, please obtain formal specifications for supply.
2. Please place purchase orders for taping products per minimum order unit (1 reel or a case).
3. Protective structure :

Assumes the switch is left alone without being operated. Under the specified conditions, dust and water ingress with a significant impact on the switch's on-off function is prevented.

IP6X equivalent/IPX7 dust and water resistance is guaranteed for the switch alone and performance may not be guaranteed depending on the mounting conditions and usage.

TACT Switch™ Surface Mount Type

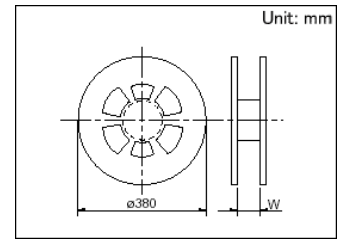
6.2mm Square (Surface Mount)

SKRA Series

■ Packing Specifications

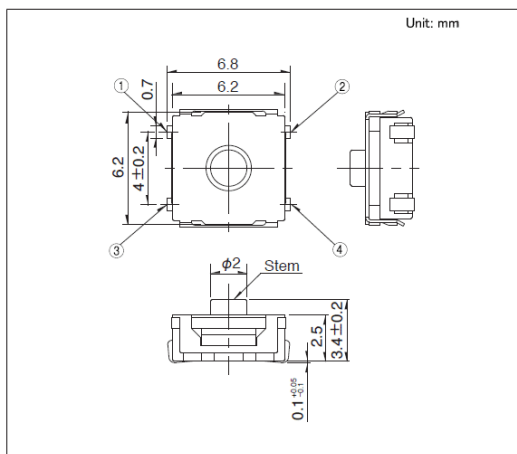
Taping

Products No.	Number of packages (pcs.)			Reel width W (mm)	Tape width (mm)	Export package measurements (mm)
	1 reel	1 case / Japan	1 case / export packing			
SKRAWE010 SKRAKE010 SKRALE010 SKRABCE010 SKRABGE010 SKRABNE010 SKRACAE010 SKRACBE010 SKRACCE010	3,000	30,000	30,000	13.5	12	395 x 395 x 205
SKRAAME010 SKRAAQE010	1,400	11,200	11,200	17.5	16	395 x 395 x 205

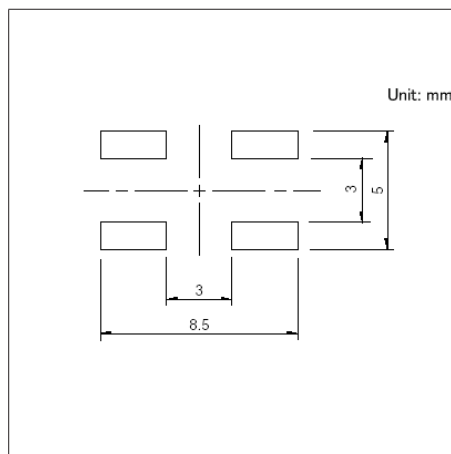


Drawing No.1

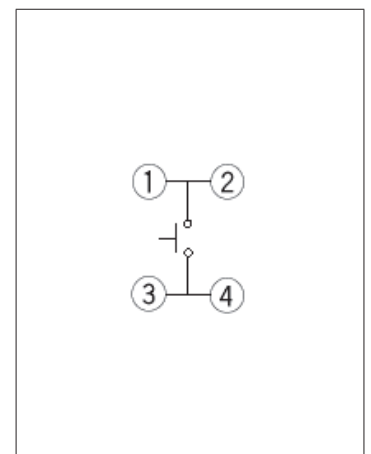
■ Dimensions



■ Land Dimensions



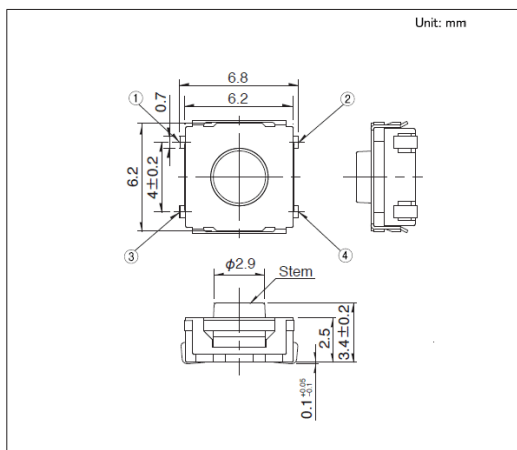
■ Circuit Diagram



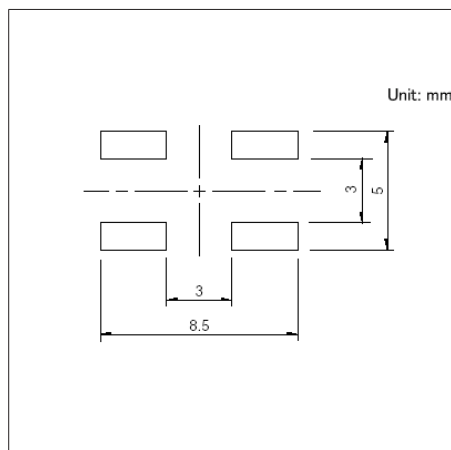
Viewed from switch mounting face

Drawing No.2

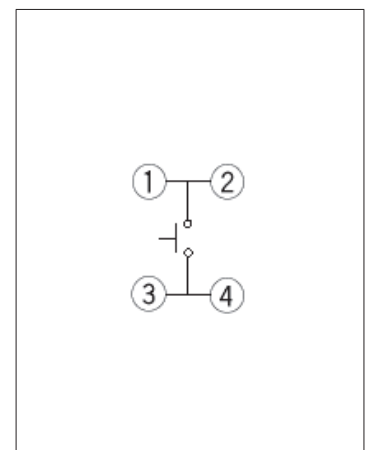
■ Dimensions



■ Land Dimensions



■ Circuit Diagram



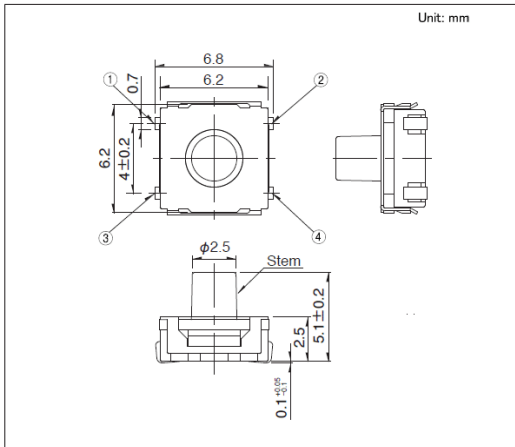
Viewed from switch mounting face

TACT Switch™ Surface Mount Type

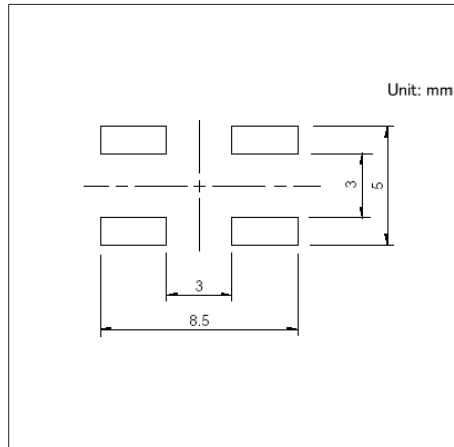
6.2mm Square (Surface Mount)
SKRA Series

Drawing No.3

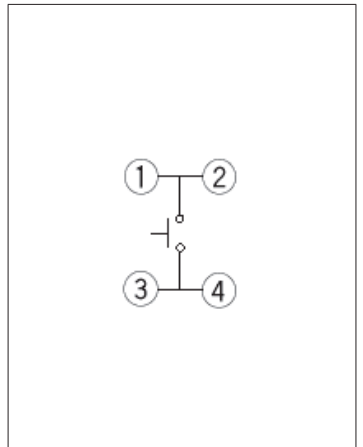
■ Dimensions



■ Land Dimensions



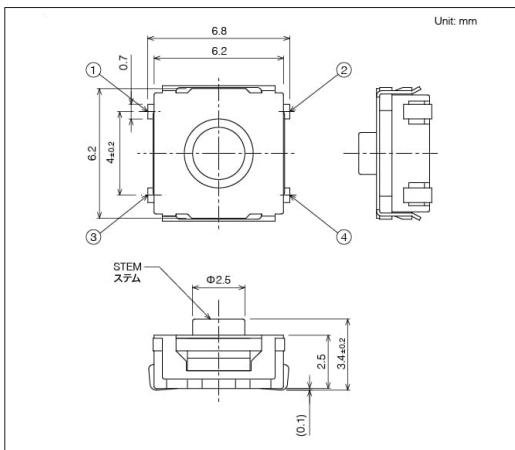
■ Circuit Diagram



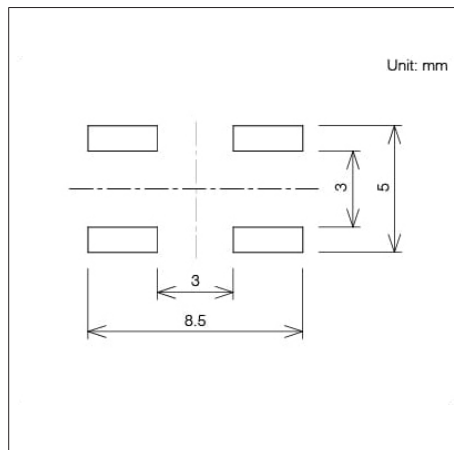
Viewed from switch mounting face

Drawing No.4

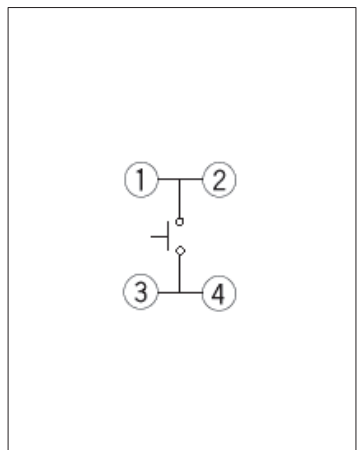
■ Dimensions



■ Land Dimensions



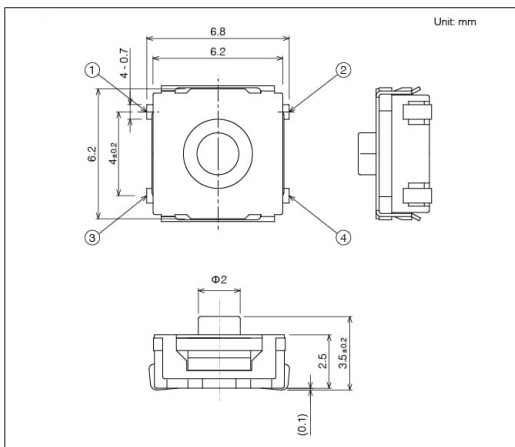
■ Circuit Diagram



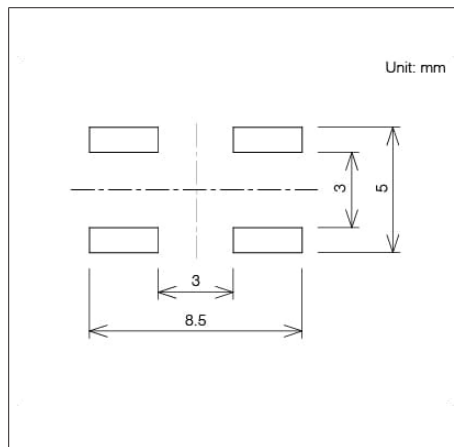
Viewed from switch mounting face

Drawing No.5

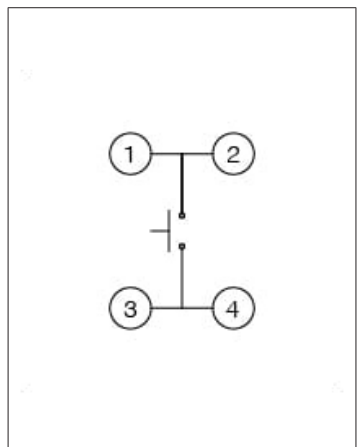
■ Dimensions



■ Land Dimensions



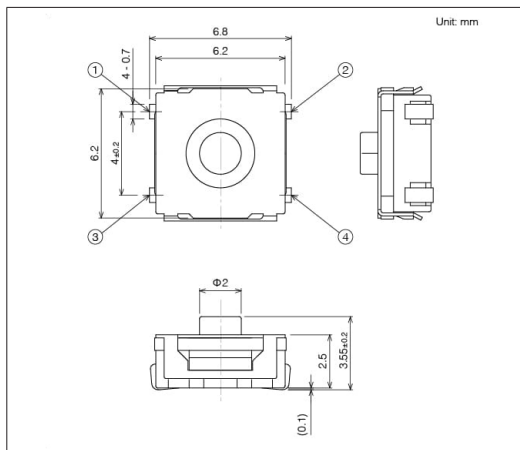
■ Circuit Diagram



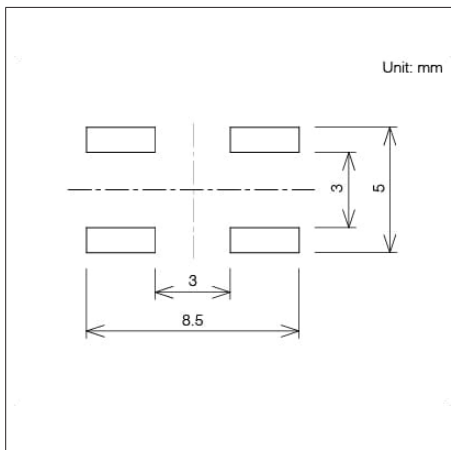
Viewed from switch mounting face

Drawing No.6

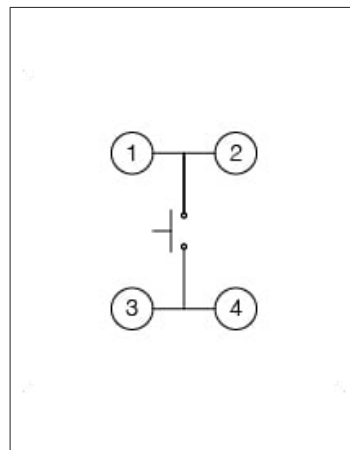
■ Dimensions



■ Land Dimensions



■ Circuit Diagram



Viewed from switch mounting face

TACT Switch™ Surface Mount Type

6.2×6.5mm (Surface Mount)

SKHM Series

Type with a height of 3.1 mm, including ground terminal options.



- Series type: Sharp feeling type
- Absolute Maximum Ratings: 50mA 12V DC
- Rating (min.): 10μA 1V DC

Applications: Energy_Industrial: Industrial equipment
 Home: Major home appliances, Office equipment
 Audio_TV: Visual

Product List

Products No.	Operating direction	Operating force (N)	Travel (mm)	Operating life (cycles)	Initial contact resistance	Dimensions (W×D×H) (mm)	Water-proof	Dust-proof	Automotive	Drawing No.
SKHMQKK010	Top push	0.98	0.25	500,000	100mΩ max.	6.2×6.5×3.1	—	—	—	1
SKHMQLK010	Top push	1.57	0.25	300,000	100mΩ max.	6.2×6.5×3.1	—	—	—	
SKHMQMK010	Top push	2.35	0.25	200,000	100mΩ max.	6.2×6.5×3.1	—	—	—	

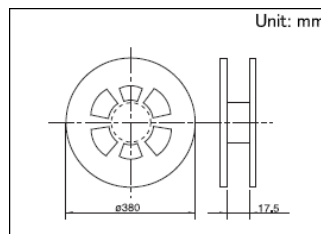
⚠ Note

1. This catalog shows only outline specifications. When using the products, please obtain formal specifications for supply.
2. Please place purchase orders for taping products per minimum order unit (1 reel or a case).

Packing Specifications

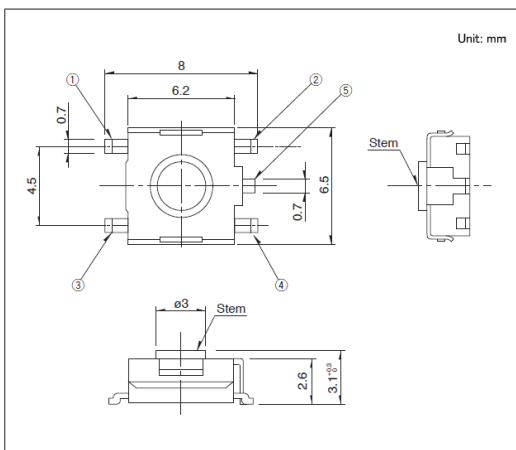
Taping

Number of packages (pcs.)			Tape width (mm)	Export package measurements (mm)
1 reel	1 case / Japan	1 case / export packing		
3,000	24,000	24,000	16	395 x 395 x 205

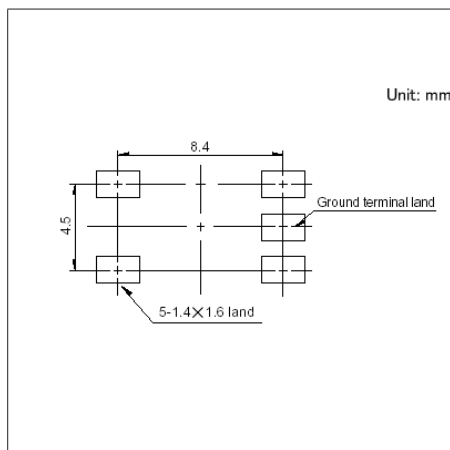


Drawing No. 1

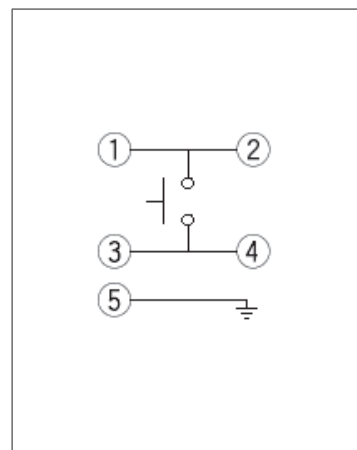
Dimensions



Land Dimensions



Circuit Diagram



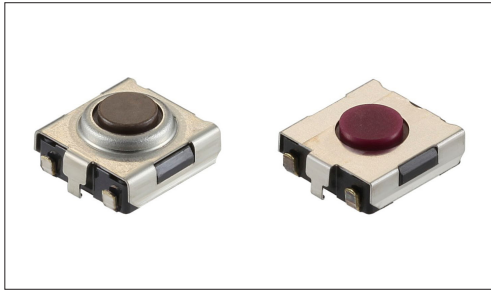
Viewed from switch mounting face

TACT Switch™ Surface Mount Type

6.2×6.3mm (Surface Mount)

SKHU Series

Wide variety including dust-proof types.



Automotive

Dust-proof Type

※Please check the product list for compatible products

- Series type: Sharp feeling type
- Absolute Maximum Ratings: 50mA 12V DC
- Rating (min.): 10μA 1V DC

Applications: Energy_Industrial: Industrial equipment
Home: Major home appliances, Office equipment
Audio_TV: Visual
Automotive: Navigation/audio systems, HVAC

Product List

Products No.	Type	Operating direction	Operating force (N)	Travel (mm)	Operating life (cycles)	Initial contact resistance	Dimensions (W×D×H) (mm)	Water-proof	Dust-proof	Automotive	Drawing No.
SKHUAKE010	Top push type	Top push	0.98	0.25	300,000	100mΩ max.	6.2×6.3×2.5	—	—	●	1
SKHUALE010		Top push	1.57	0.25	300,000	100mΩ max.	6.2×6.3×2.5	—	—	●	
SKHUA ME010		Top push	2.55	0.25	100,000	100mΩ max.	6.2×6.3×2.5	—	—	●	
SKHUPKE010	With ground terminal type	Top push	0.98	0.25	300,000	100mΩ max.	6.2×6.3×2.5	—	—	●	2
SKHUPLE010		Top push	1.57	0.25	300,000	100mΩ max.	6.2×6.3×2.5	—	—	●	
SKHUPME010		Top push	2.55	0.25	100,000	100mΩ max.	6.2×6.3×2.5	—	—	●	
SKHUBHE010	Dust-proof type	Top push	1.57	0.25	50,000	100mΩ max.	6.2×6.3×3.1	—	●	●	3
SKHUQHE010	Dust-proof and with ground terminal type	Top push	1.57	0.25	50,000	100mΩ max.	6.2×6.3×3.1	—	●	●	4
SKHUQGE010		Top push	2.55	0.25	50,000	100mΩ max.	6.2×6.3×3.1	—	●	●	

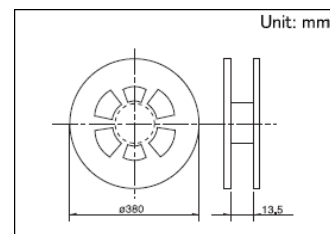
Note

1. This catalog shows only outline specifications. When using the products, please obtain formal specifications for supply.
2. Please place purchase orders for taping products per minimum order unit (1 reel or a case).

Packing Specifications

Taping

Number of packages (pcs.)			Tape width (mm)	Export package measurements (mm)
1 reel	1 case / Japan	1 case / export packing		
3,000	30,000	30,000	12	395 x 395 x 205



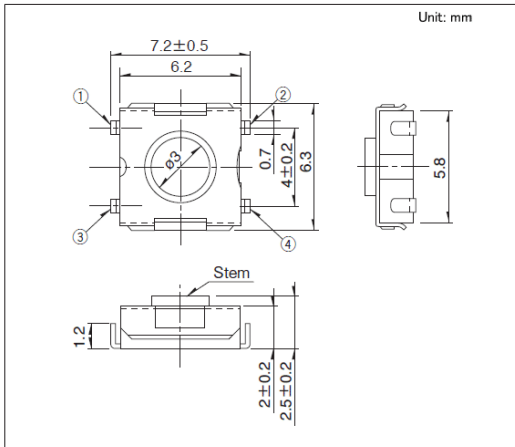
TACT Switch™ Surface Mount Type

6.2x6.3mm (Surface Mount)

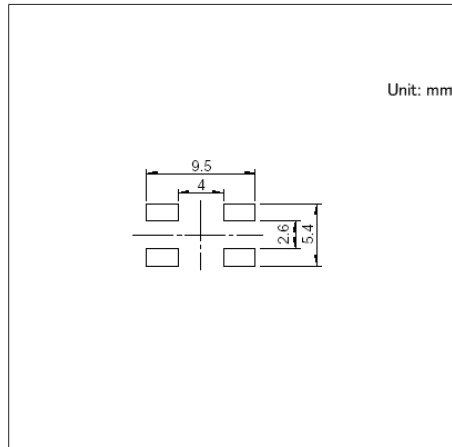
SKHU Series

Drawing No.1

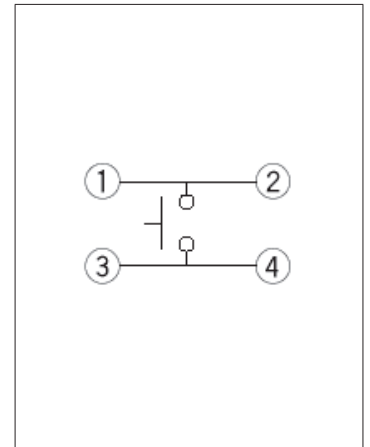
■ Dimensions



■ Land Dimensions



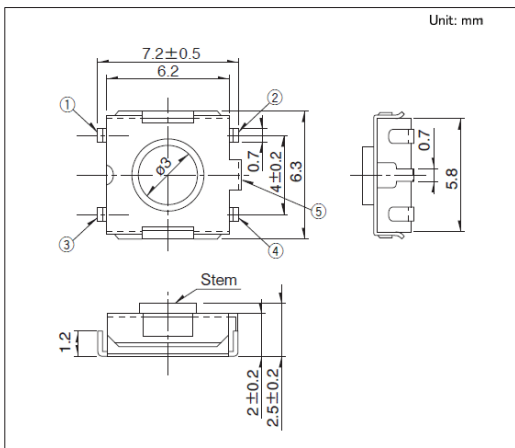
■ Circuit Diagram



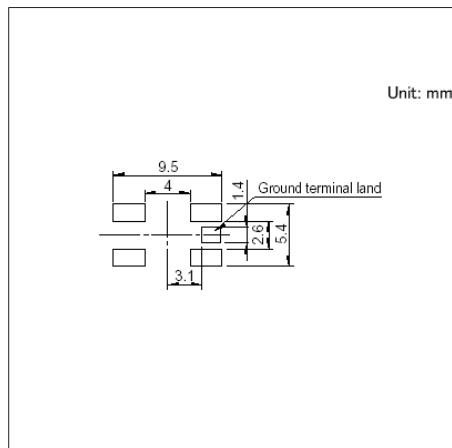
Viewed from switch mounting face

Drawing No.2

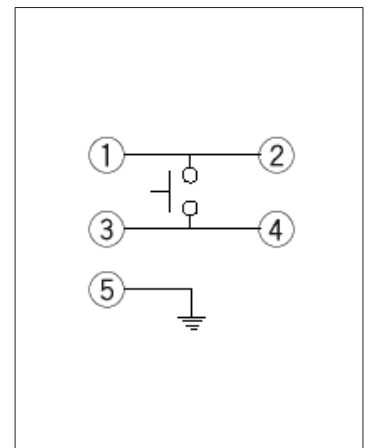
■ Dimensions



■ Land Dimensions



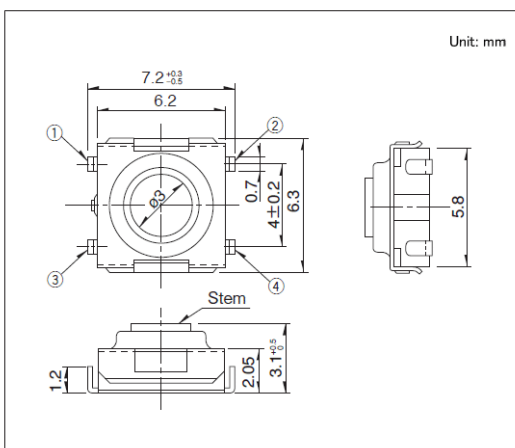
■ Circuit Diagram



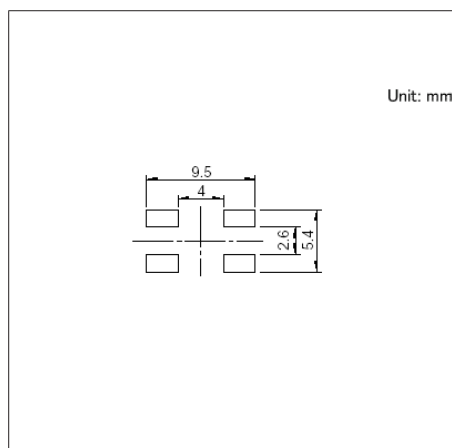
Viewed from switch mounting face

Drawing No.3

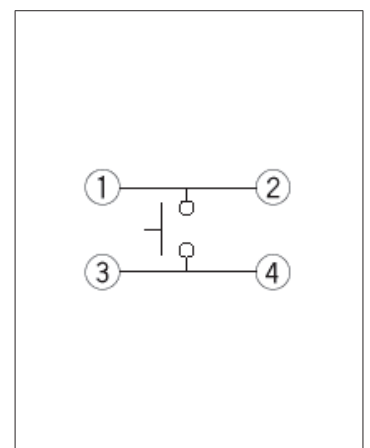
■ Dimensions



■ Land Dimensions



■ Circuit Diagram



Viewed from switch mounting face

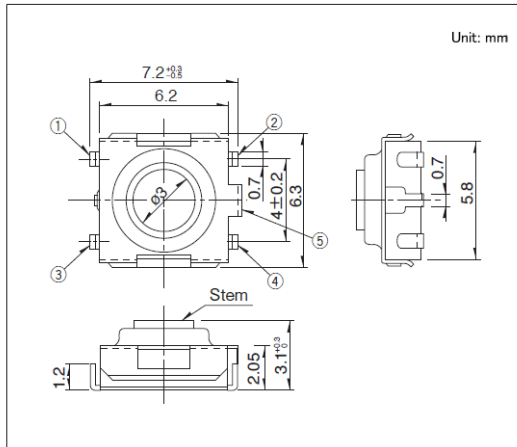
TACT Switch™ Surface Mount Type

6.2×6.3mm (Surface Mount)

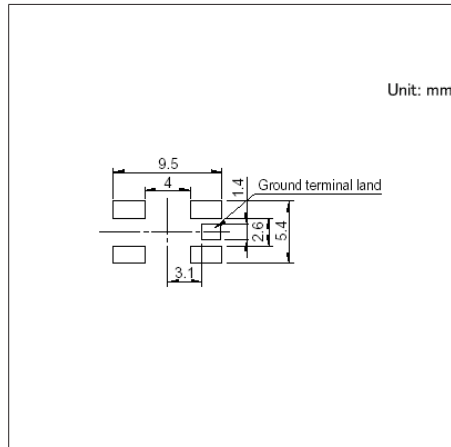
SKHU Series

Drawing No.4

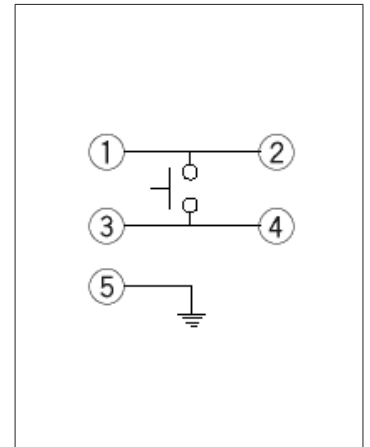
■ Dimensions



■ Land Dimensions



■ Circuit Diagram



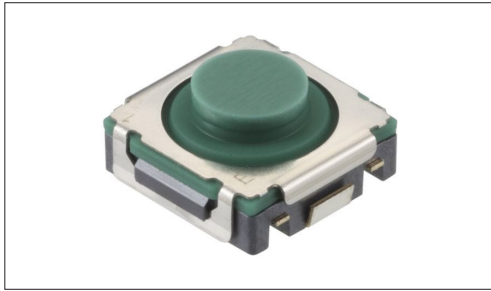
Viewed from switch mounting face

TACT Switch™ Surface Mount Type

8.5mm Square (Surface Mount)

SKST Series

Type with a height of 3.95mm, delivering a refined operation feel with a mid-stroke.



 Automotive

- Series type: Sharp feeling type
- Absolute Maximum Ratings: 50mA 16V DC
- Rating (min.): 10μA 1V DC

Applications: Automotive: Navigation/audio systems, HVAC, Overhead consoles, Steering, Shifter

Product List

Products No.	Operating direction	Operating force (N)	Travel (mm)	Operating life (cycles)	Initial contact resistance	Dimensions (W×D×H) (mm)	Water-proof	Dust-proof	Automotive	Drawing No.
SKSTABE010	Top push	4.0	0.75	500,000	100mΩ max.	8.5×8.5×3.95	—	—	●	1
SKSTAAE010	Top push	4.0	0.9	500,000	100mΩ max.	8.5×8.5×3.95	—	—	●	
SKSTAHE010	Top push	4.5	0.9	1,000,000	100mΩ max.	8.5×8.5×3.95	—	—	●	
SKSTAJE010	Top push	7.0	0.9	1,000,000	100mΩ max.	8.5×8.5×3.95	—	—	●	
SKSTACE010	Top push	7.0	0.9	500,000	500mΩ max.	8.5×8.5×3.95	—	—	●	
SKSTADE010	Top push	10.0	0.9	200,000	100mΩ max.	8.5×8.5×3.95	—	—	●	

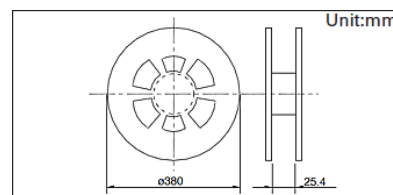
Note

1. This catalog shows only outline specifications. When using the products, please obtain formal specifications for supply.
2. Please place purchase orders for taping products per minimum order unit (1 reel or a case).

Packing Specifications

Taping

Number of packages (pcs.)			Tape width (mm)	Export package measurements (mm)
1 reel	1 case / Japan	1 case / export packing		
1,500	9,000	9,000	24	395 x 395 x 205



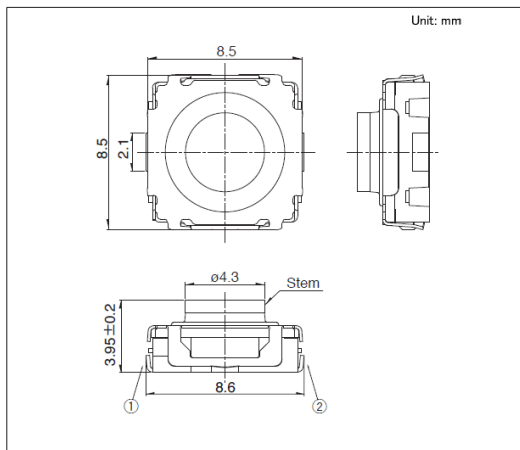
TACT Switch™ Surface Mount Type

8.5mm Square (Surface Mount)

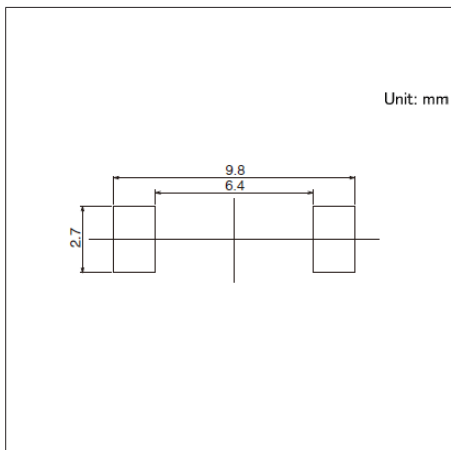
SKST Series

Drawing No.1

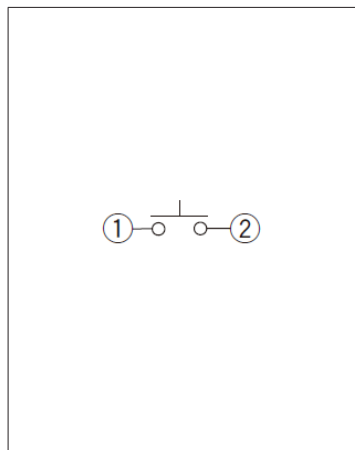
■ Dimensions



■ Land Dimensions



■ Circuit Diagram



Viewed from switch mounting face

TACT Switch™ Surface Mount Type

3.9x2.9mm Side Push (Surface Mount)

SKTD Series

Type with a height of 1.55mm, compliant with IP6X equivalent/IPX7.



Water-proof Type

Dust-proof Type

- Series type: Sharp feeling type
- Absolute Maximum Ratings: 50mA 12V DC
- Rating (min.): 10μA 1V DC

Applications: Mobile: Smartphones, tablets, Headsets, wearables,
Notebooks, peripherals
Healthcare: Healthcare equipment

■ Product List

Products No.	Operating direction	Operating force (N)	Travel (mm)	Operating life (cycles)	Initial contact resistance	Dimensions (WxDxH) (mm)	Water-proof	Dust-proof	Water-proof & Dust-proof	Automotive	Drawing No.
SKTDLDE010	Side push	1.6	0.15	200,000	500mΩ max.	3.9x2.9x1.55	●	●	IP6X equivalent/IPX7	—	1
SKTDLGE010	Side push	2.0	0.15	200,000	500mΩ max.	3.9x2.9x1.55	●	●	IP6X equivalent/IPX7	—	

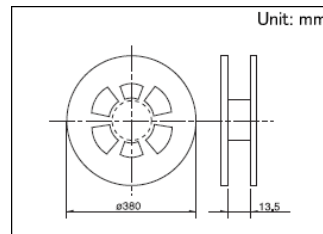
Note

1. This catalog shows only outline specifications. When using the products, please obtain formal specifications for supply.
2. Please place purchase orders for taping products per minimum order unit (1 reel or a case).
3. Protective structure :
Assumes the switch is left alone without being operated. Under the specified conditions, dust and water ingress with a significant impact on the switch's on-off function is prevented.
IP6X equivalent/IPX7 dust and water resistance is guaranteed for the switch alone and performance may not be guaranteed depending on the mounting conditions and usage.

■ Packing Specifications

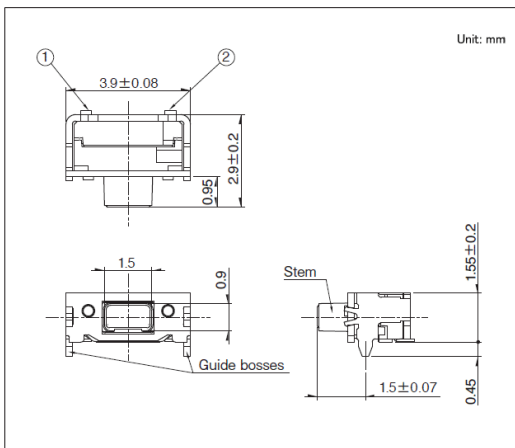
Taping

Number of packages (pcs.)			Tape width (mm)	Export package measurements (mm)
1 reel	1 case / Japan	1 case / export packing		
4,500	45,000	45,000	12	395 x 395 x 205

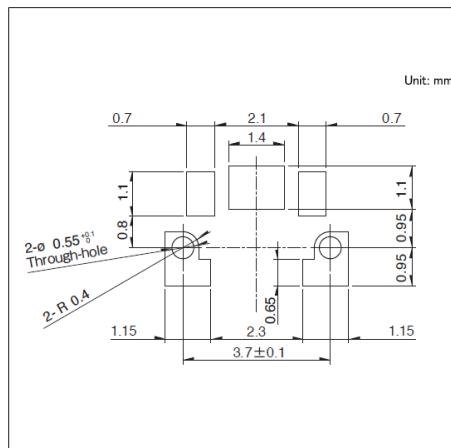


Drawing No. 1

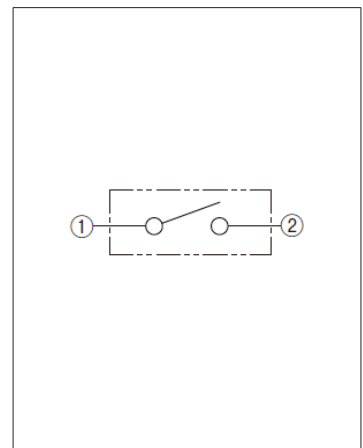
■ Dimensions



■ Land Dimensions



■ Circuit Diagram



Viewed from switch mounting face

TACT Switch™ Surface Mount Type

6.2×3.0mm Side Push (Surface Mount)

SKSN Series

Mid-mount type with a mounting height of 1.35mm from the board surface, including automotive-compatible variants.



 Automotive

※Please check the product list for compatible products

- Series type: Sharp feeling type
- Absolute Maximum Ratings: 50mA 12V DC
- Rating (min.): 10μA 1V DC

Applications: Mobile: Headsets, wearables, Notebooks, peripherals
 Energy_Industrial: Robots, drones
 Game: Home handheld consoles
 Healthcare: Healthcare equipment, Analysis, test equipment
 Automotive: Remote Keyless Entry (RKE)

Product List

Products No.	Operating direction	Operating force (N)	Travel (mm)	Operating life (cycles)	Initial contact resistance	Dimensions (W×D×H) (mm)	Water-proof	Dust-proof	Automotive	Drawing No.
SKSNLME010	Side push	1.6	0.15	1,000,000	100mΩ max.	7.5×3.0×3.5	—	—	—	1
SKSNLAE010	Side push	2.4	0.2	500,000	100mΩ max.	6.2×3.0×3.5	—	—	—	2
SKSNLKE010	Side push	4.5	0.2	100,000	100mΩ max.	6.2×3.0×3.5	—	—	●	
SKSNLHE010	Side push	5.0	0.2	100,000	100mΩ max.	6.2×3.0×3.5	—	—	●	
SKSNLPE010	Side push	1.6	0.23	1,000,000	500mΩ max.	7.5×4.07×3.5	—	—	—	3

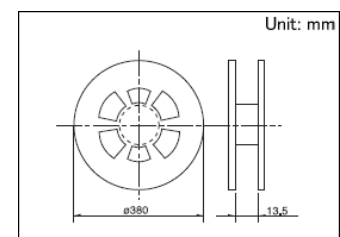
Note

1. This catalog shows only outline specifications. When using the products, please obtain formal specifications for supply.
2. Please place purchase orders for taping products per minimum order unit (1 reel or a case).

Packing Specifications

Taping

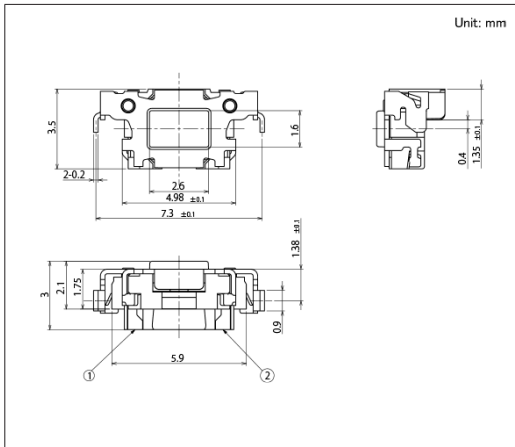
Products No.	Number of packages(pcs.)			Tape width (mm)	Export package measurements (mm)
	1 reel	1 case / Japan	1 case / export packing		
SKSNLME010	1,900	19,000	19,000	12	395 x 395 x 205
SKSNLAE010 SKSNLKE010 SKSNLHE010	2,500	25,000	25,000	12	395 x 395 x 205
SKSNLPE010	1,200	12,000	12,000	12	395×395×205



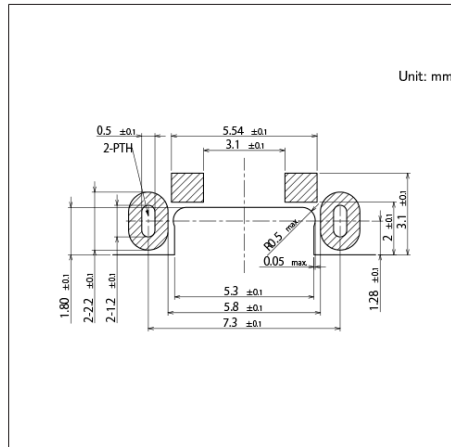
TACT Switch™ Surface Mount Type
6.2×3.0mm Side Push (Surface Mount)
SKSN Series

Drawing No.1

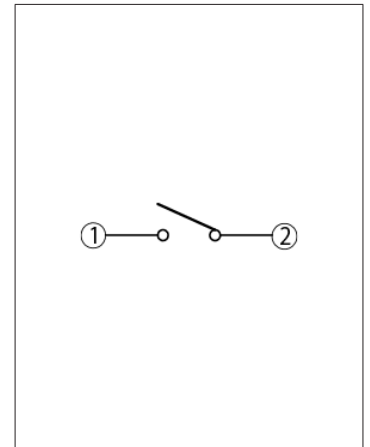
■ Dimensions



■ Land Dimensions



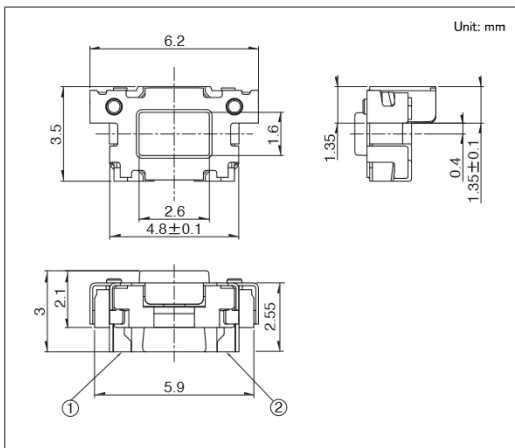
■ Circuit Diagram



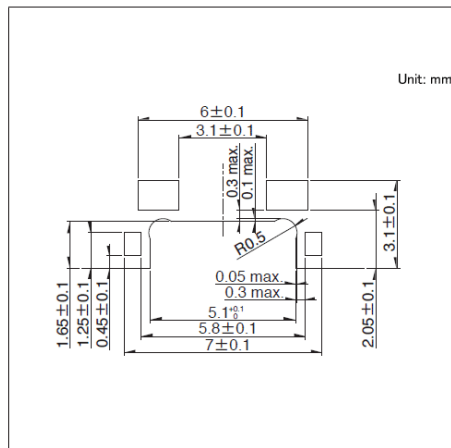
Viewed from switch mounting face

Drawing No.2

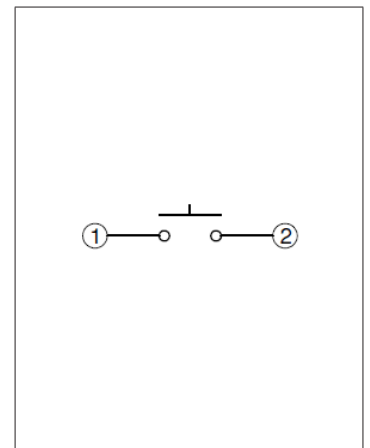
■ Dimensions



■ Land Dimensions



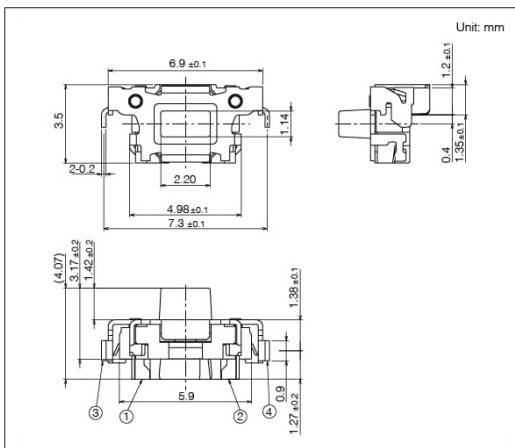
■ Circuit Diagram



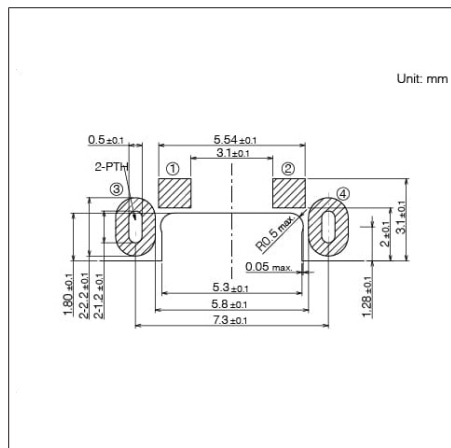
Viewed from switch mounting face

Drawing No.3

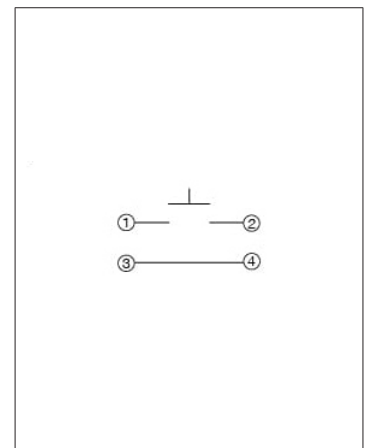
■ Dimensions



■ Land Dimensions



■ Circuit Diagram



Viewed from switch mounting face

TACT Switch™ Surface Mount Type

4.5×2.6mm Side Push (Surface Mount)

SKSL Series

Half-mount type with a mounting height of 1.6mm from the board surface.

 Automotive

※Please check the product list for compatible products

- Series type: Sharp feeling type
- Absolute Maximum Ratings: 50mA 12V DC
- Rating (min.): 10μA 1V DC

Applications: Mobile: Smartphones, tablets, Smartphones, tablets,
Notebooks, peripherals
Automotive: Remote Keyless Entry (RKE)



Product List

Products No.	Operating direction	Operating force (N)	Travel (mm)	Operating life (cycles)	Initial contact resistance	Dimensions (W×D×H) (mm)	Water-proof	Dust-proof	Automotive	Drawing No.
SKSLLAE010	Side push	1.6	0.15	600,000	500mΩ max.	4.5×2.6×2.2	—	—	—	1
SKSLLE010	Side push	2.2	0.15	600,000	500mΩ max.	4.5×2.6×2.2	—	—	—	
SKSLLE010	Side push	3.5	0.15	100,000	500mΩ max.	4.5×2.6×2.2	—	—	●	

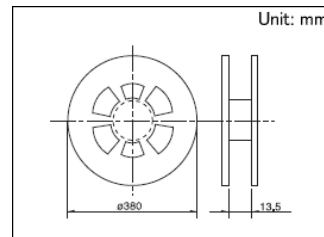
Note

1. This catalog shows only outline specifications. When using the products, please obtain formal specifications for supply.
2. Please place purchase orders for taping products per minimum order unit (1 reel or a case).

Packing Specifications

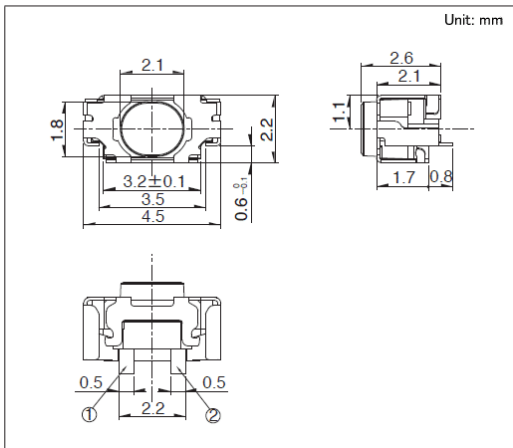
Taping

Number of packages (pcs.)			Tape width (mm)	Export package measurements (mm)
1 reel	1 case / Japan	1 case / export packing		
4,400	44,000	44,000	12	395 x 395 x 205

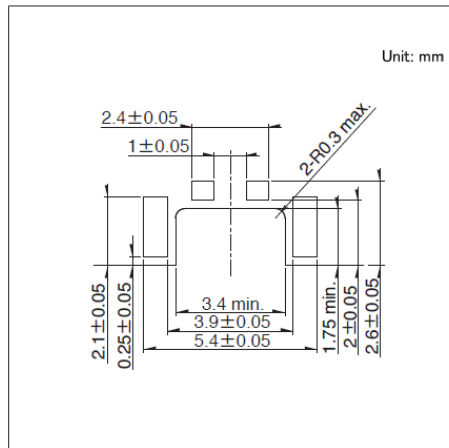


Drawing No. 1

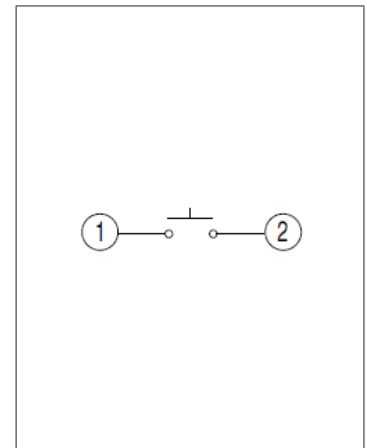
Dimensions



Land Dimensions



Circuit Diagram



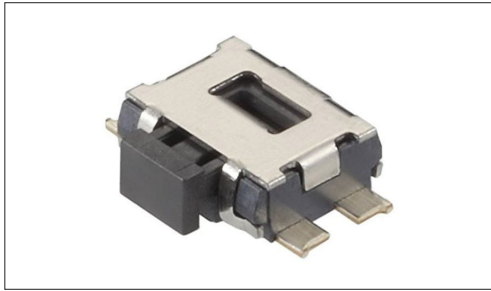
Viewed from switch mounting face

TACT Switch™ Surface Mount Type

3.5×3.55mm Side Push (Surface Mount)

SKSC Series

Half-mount type with excellent soldering strength, compact and thin (1.25mm), including ground terminal options.



- Series type: Sharp feeling type
- Absolute Maximum Ratings: 50mA 12V DC
- Rating (min.): 10μA 1V DC

Applications: Mobile: Smartphones, tablets, Smartphones, tablets, Notebooks, peripherals

Product List

Products No.	Type	Operating direction	Operating force (N)	Travel (mm)	Operating life (cycles)	Initial contact resistance	Guide bosses	Dimensions (W×D×H) (mm)	Water-proof	Dust-proof	Automotive	Drawing No.
SKSCLCE010	Side push type	Side push	1.6	0.2	100,000	100mΩ max.	Without	3.5×3.55×1.25	—	—	—	1
SKSCLAE010		Side push	2.2	0.2	100,000	100mΩ max.	Without	3.5×3.55×1.25	—	—	—	
SKSCLDE010		Side push	1.6	0.2	100,000	100mΩ max.	With	3.5×3.55×1.25	—	—	—	2
SKSCLBE010		Side push	2.2	0.2	100,000	100mΩ max.	With	3.5×3.55×1.25	—	—	—	
SKSCPCE010	With ground terminal type	Side push	1.6	0.2	100,000	100mΩ max.	Without	3.5×3.55×1.25	—	—	—	3
SKSCP AE010		Side push	2.2	0.2	100,000	100mΩ max.	Without	3.5×3.55×1.25	—	—	—	
SKSCPDE010		Side push	1.6	0.2	100,000	100mΩ max.	With	3.5×3.55×1.25	—	—	—	4
SKSCPBE010		Side push	2.2	0.2	100,000	100mΩ max.	With	3.5×3.55×1.25	—	—	—	

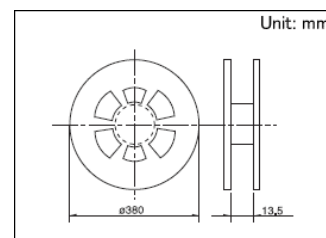
Note

1. This catalog shows only outline specifications. When using the products, please obtain formal specifications for supply.
2. Please place purchase orders for taping products per minimum order unit (1 reel or a case).

Packing Specifications

Taping

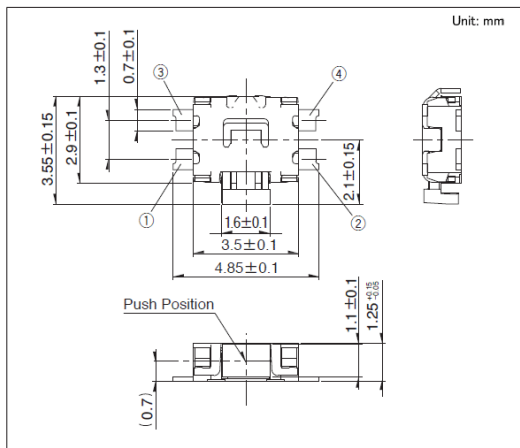
Number of packages (pcs.)			Tape width (mm)	Export package measurements (mm)
1 reel	1 case / Japan	1 case / export packing		
5,000	50,000	50,000	12	395 x 395 x 205



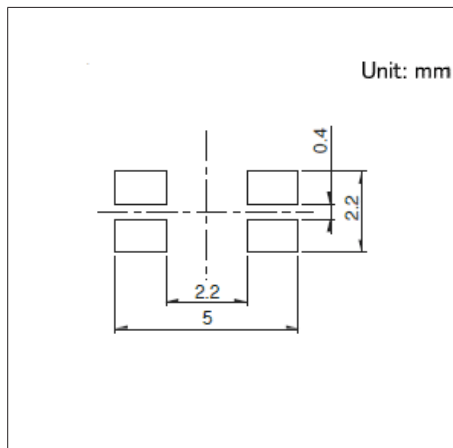
TACT Switch™ Surface Mount Type
3.5×3.5mm Side Push (Surface Mount)
SKSC Series

Drawing No.1

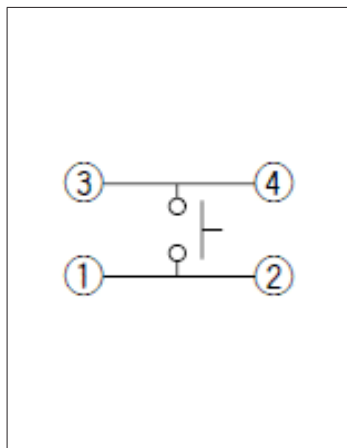
■ Dimensions



■ Land Dimensions



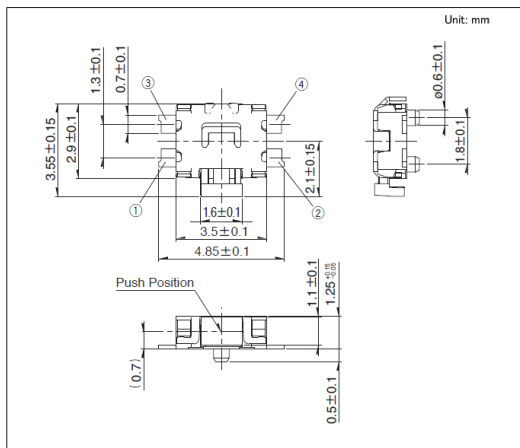
■ Circuit Diagram



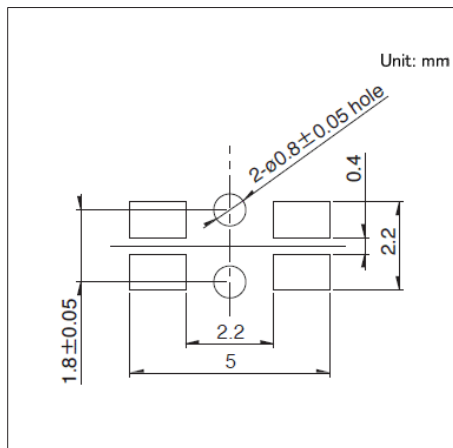
Viewed from switch mounting face

Drawing No.2

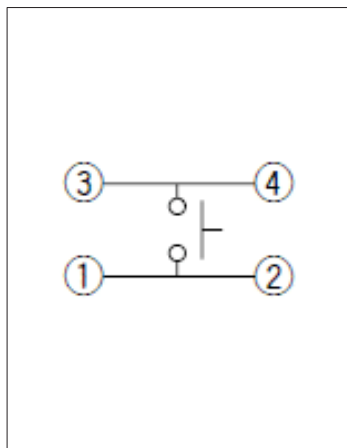
■ Dimensions



■ Land Dimensions



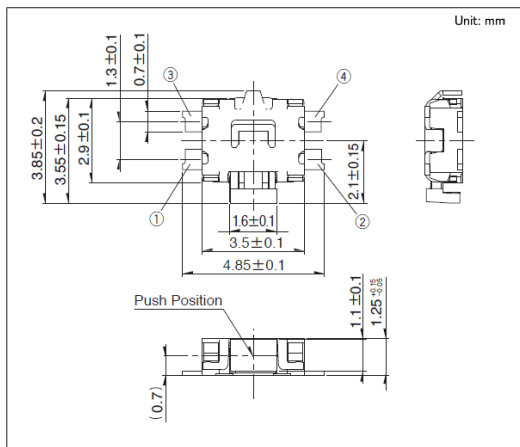
■ Circuit Diagram



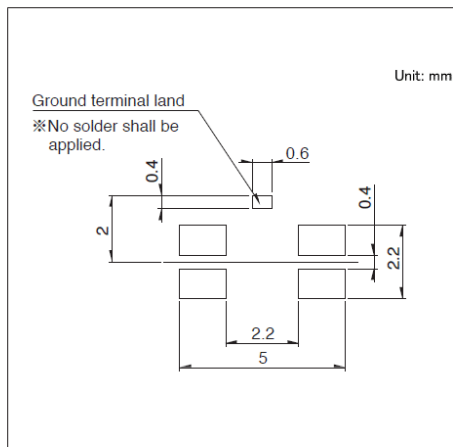
Viewed from switch mounting face

Drawing No.3

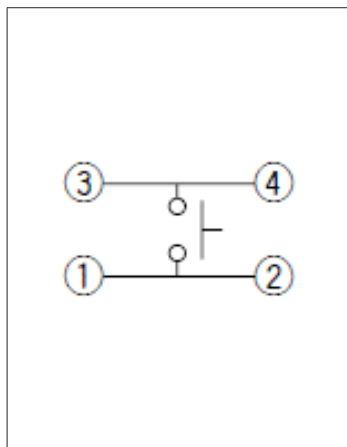
■ Dimensions



■ Land Dimensions



■ Circuit Diagram

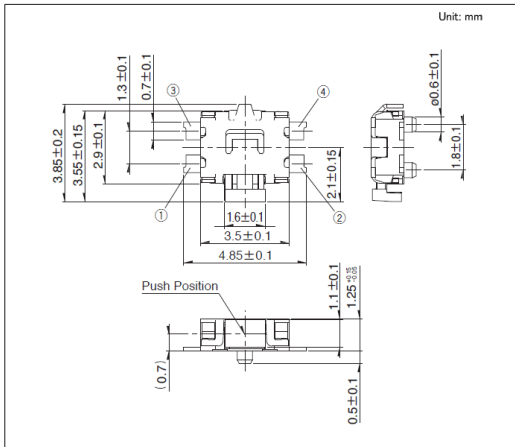


Viewed from switch mounting face

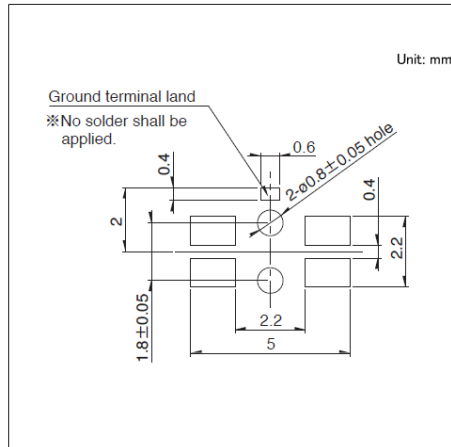
TACT Switch™ Surface Mount Type
3.5x3.55mm Side Push (Surface Mount)
SKSC Series

Drawing No.4

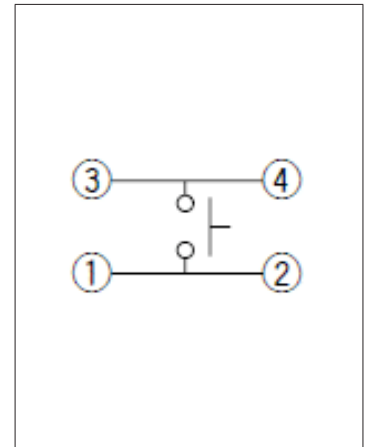
■ Dimensions



■ Land Dimensions



■ Circuit Diagram



Viewed from switch mounting face

TACT Switch™ Surface Mount Type

4.5×3.4mm Side Push (Surface Mount)

SKRT Series

Side-push type with excellent soldering strength and good operation feel.



- Series type: Sharp feeling type
- Absolute Maximum Ratings: 50mA 12V DC
- Rating (min.): 10μA 1V DC

Applications: Mobile: Headsets, wearables

Product List

Products No.	Operating direction	Operating force (N)	Travel (mm)	Operating life (cycles)	Initial contact resistance	Guide bosses	Dimensions (W×D×H) (mm)	Water-proof	Dust-proof	Automotive	Drawing No.
SKRTLAE030	Side push	1.6	0.2	100,000	500mΩ max.	With	4.5×3.4×3.3	—	—	—	1
SKRTLBE030	Side push	1.6	0.2	100,000	500mΩ max.	Without	4.5×3.4×3.3	—	—	—	2

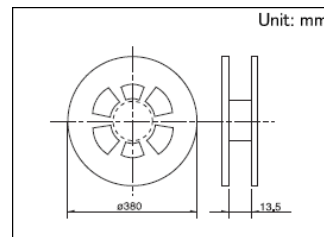
⚠️ Note

1. This catalog shows only outline specifications. When using the products, please obtain formal specifications for supply.
2. Please place purchase orders for taping products per minimum order unit (1 reel or a case).

Packing Specifications

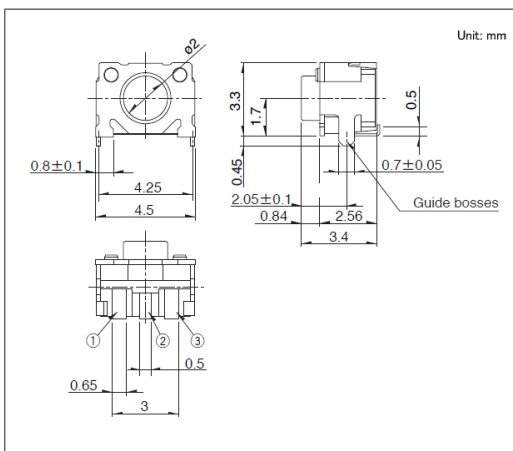
Taping

Number of packages (pcs.)			Tape width (mm)	Export package measurements (mm)
1 reel	1 case / Japan	1 case / export packing		
3,000	30,000	30,000	12	395 x 395 x 205

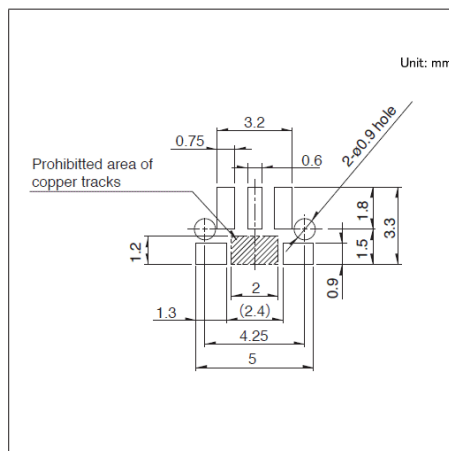


Drawing No. 1

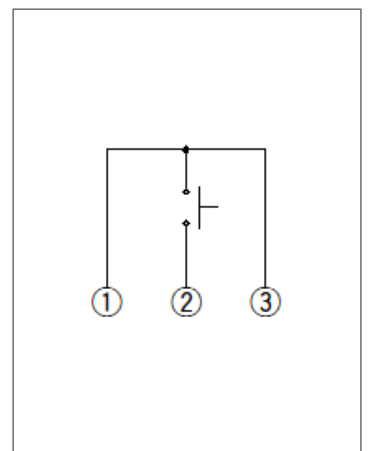
Dimensions



Land Dimensions



Circuit Diagram

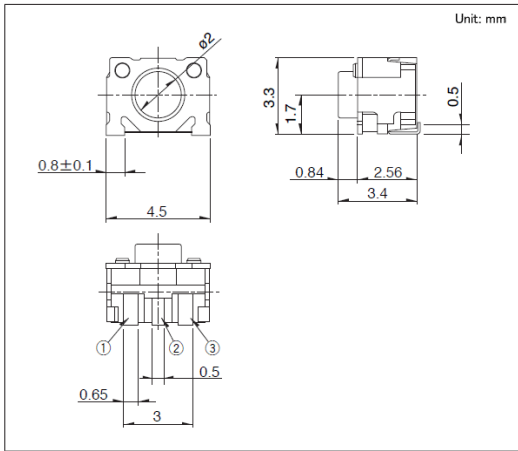


Viewed from switch mounting face

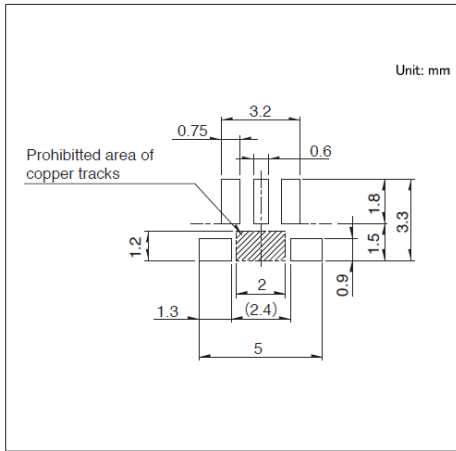
TACT Switch™ Surface Mount Type
4.5×3.4mm Side Push (Surface Mount)
SKRT Series

Drawing No.2

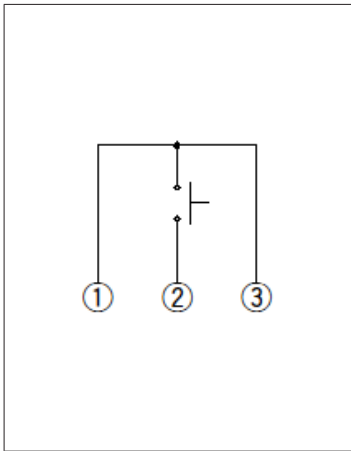
■ Dimensions



■ Land Dimensions



■ Circuit Diagram



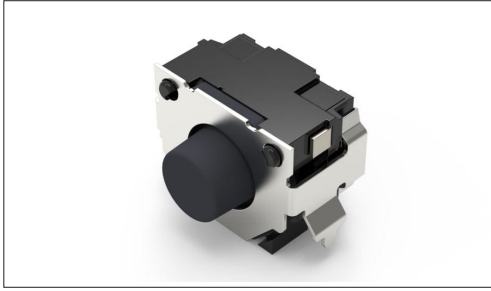
Viewed from switch mounting face

TACT Switch™ Surface Mount Type

4.8×3.25mm Side Push (Surface Mount)

SKSJ Series

Long-life half-mount type with excellent soldering strength, capable of 1 million operation cycles.



- Series type: Sharp feeling type
- Absolute Maximum Ratings: 50mA 12V DC
- Rating (min.): 10μA 1V DC

Applications: Mobile: Notebooks, peripherals, Headsets, wearables
 Game: Home handheld consoles
 Mobile: Headsets, wearables
 Healthcare: Healthcare equipment

■ Product List

Products No.	Operating direction	Operating force (N)	Travel (mm)	Operating life (cycles)	Initial contact resistance	Dimensions (W×D×H) (mm)	Water-proof	Dust-proof	Automotive	Drawing No.
SKSJLCE010	Side push	0.8	0.25	2,000,000	500mΩ max.	4.8×3.25×3.3	—	—	—	1
SKSJLEE010	Side push	1.6	0.4	1,000,000	500mΩ max.	4.8×3.25×3.3	—	—	—	

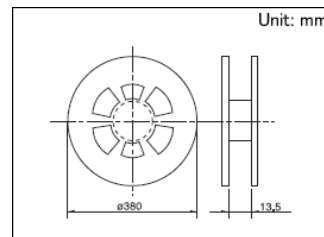
⚠ Note

1. This catalog shows only outline specifications. When using the products, please obtain formal specifications for supply.
2. Please place purchase orders for taping products per minimum order unit (1 reel or a case).

■ Packing Specifications

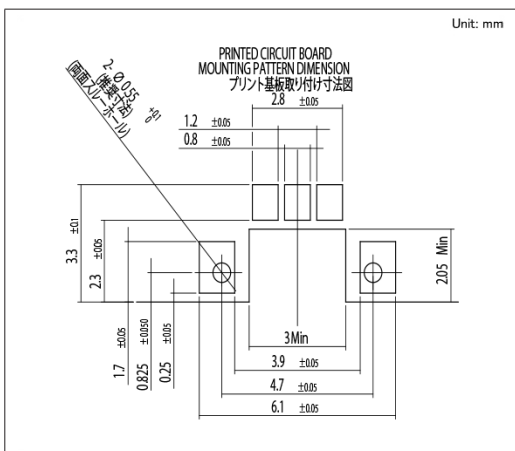
Taping

Number of packages (pcs.)			Tape width (mm)	Export package measurements (mm)
1 reel	1 case / Japan	1 case / export packing		
3,000	30,000	30,000	12	395 x 395 x 205

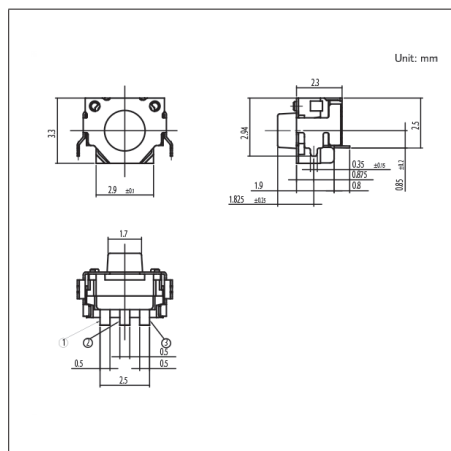


Drawing No.1

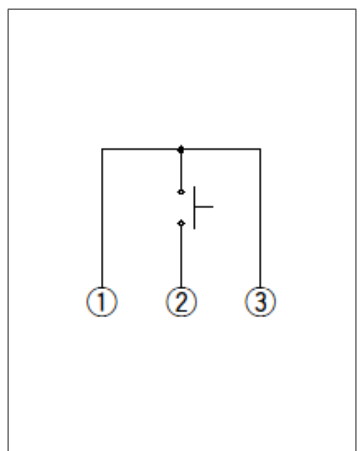
■ Dimensions



■ Land Dimensions



■ Circuit Diagram



Viewed from switch mounting face

TACT Switch™ Surface Mount Type

6.0×5.9mm Low Contact Resistance (Surface Mount)

SKPS Series

Long-stroke, soft-feel type with 1.05mm travel, capable of 300,000 operation cycles.

 Automotive



- Series type: Soft feeling type
- Absolute Maximum Ratings: 50mA 16V DC
- Rating (min.): 10μA 1V DC

Applications: Automotive: Navigation/audio systems, HVAC, Overhead consoles, Steering, Shifter

Product List

Products No.	Operating direction	Operating force (N)	Travel (mm)	Operating life (cycles)	Initial contact resistance	Dimensions (W×D×H) (mm)	Water-proof	Dust-proof	Automotive	Drawing No.
SKPSAEE010	Top push	2.5	1.05	300,000	100mΩ max.	5.9×6.0×5.0	—	—	●	1
SKPSACE010	Top push	3.0	1.05	300,000	100mΩ max.	5.9×6.0×5.0	—	—	●	
SKPSADE010	Top push	3.3	1.05	300,000	100mΩ max.	5.9×6.0×5.0	—	—	●	
SKPSAAE010	Top push	3.6	1.05	300,000	100mΩ max.	5.9×6.0×5.0	—	—	●	

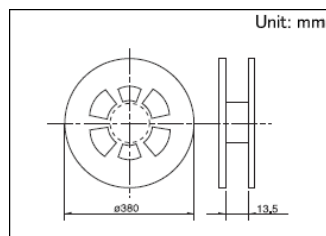
Note

1. This catalog shows only outline specifications. When using the products, please obtain formal specifications for supply.
2. Please place purchase orders for taping products per minimum order unit (1 reel or a case).

Packing Specifications

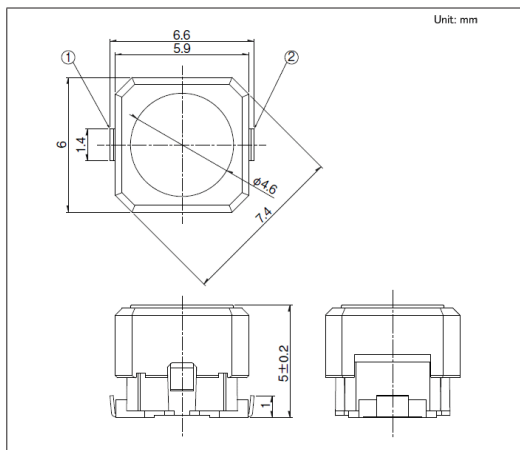
Taping

Number of packages (pcs.)			Tape width (mm)	Export package measurements (mm)
1 reel	1 case / Japan	1 case / export packing		
2,000	20,000	20,000	12	395 x 395 x 205

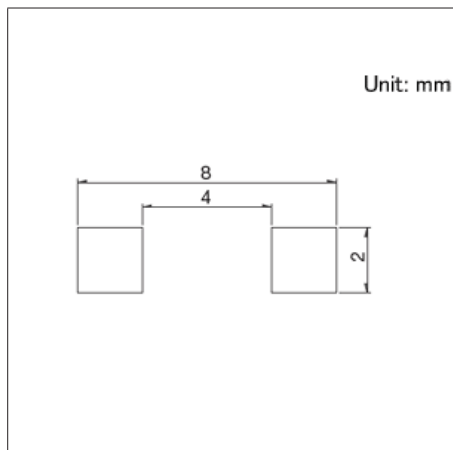


Drawing No.1

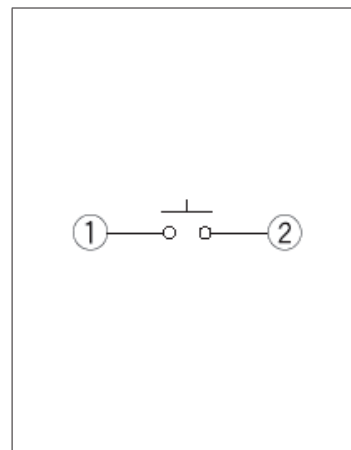
Dimensions



Land Dimensions



Circuit Diagram



Viewed from switch mounting face

TACT Switch™ Surface Mount Type

6.0x5.9mm Low Contact Resistance (Surface Mount)

SKPM Series

Long-stroke, soft-feel type with a 1.3mm travel, featuring metal contacts for low contact resistance.

 Automotive



- Series type: Soft feeling type
- Absolute Maximum Ratings: 50mA 16V DC
- Rating (min.): 10μA 1V DC

Applications: Audio_TV: Pro audio
Automotive: Navigation/audio systems, HVAC, Overhead consoles, Steering, Shifter

Product List

Products No.	Operating direction	Operating force (N)	Travel (mm)	Operating life (cycles)	Initial contact resistance	Dimensions (WxDxH) (mm)	Water-proof	Dust-proof	Automotive	Drawing No.
SKPMAME010	Top push	1.57	1.3	100,000	100mΩ max.	5.9x6.0x5.0	—	—	●	1
SKPMANE010	Top push	1.96	1.3	100,000	100mΩ max.	5.9x6.0x5.0	—	—	●	
SKPMAPE010	Top push	2.45	1.3	100,000	100mΩ max.	5.9x6.0x5.0	—	—	●	
SKPMBHE010	Top push	3.0	1.3	100,000	100mΩ max.	5.9x6.0x5.0	—	—	●	

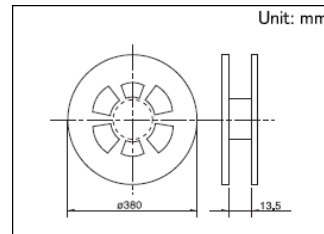
Note

1. This catalog shows only outline specifications. When using the products, please obtain formal specifications for supply.
2. Please place purchase orders for taping products per minimum order unit (1 reel or a case).

Packing Specifications

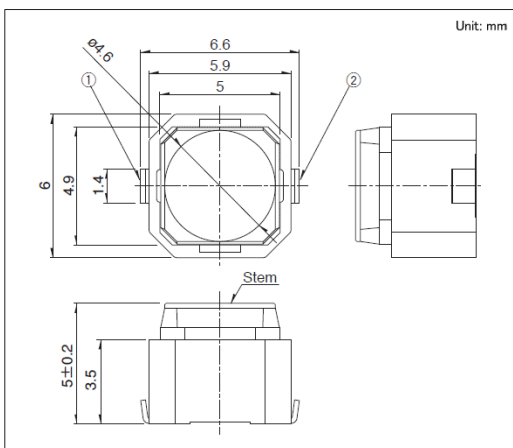
Taping

Number of packages (pcs.)			Tape width (mm)	Export package measurements (mm)
1 reel	1 case / Japan	1 case / export packing		
2,000	20,000	20,000	12	395 x 395 x 205

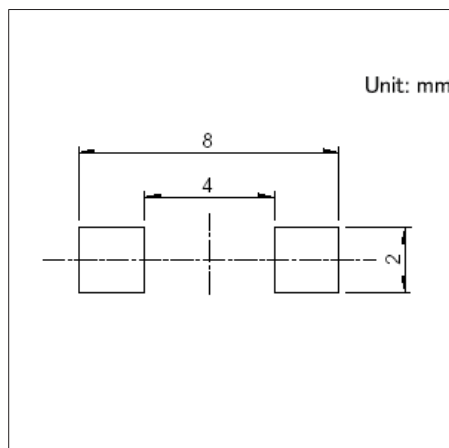


Drawing No.1

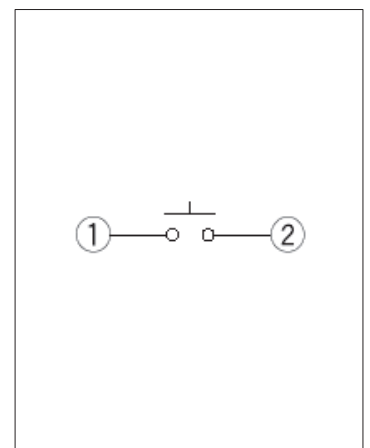
Dimensions



Land Dimensions



Circuit Diagram



Viewed from switch mounting face

TACT Switch™ Surface Mount Type

7.5×7.8mm High Operation Force, Low Contact Resistance (Surface Mount) SKPR Series

Heavy-duty long-stroke, soft-feel type with a 1.0mm travel, featuring metal contacts for low contact resistance.

 Automotive



- Series type: Soft feeling type
- Absolute Maximum Ratings: 50mA 16V DC
- Rating (min.): 10μA 1V DC

Applications: Automotive: Navigation/audio systems, HVAC, Overhead consoles, Steering, Shifter

Product List

Products No.	Operating direction	Operating force (N)	Travel (mm)	Operating life (cycles)	Initial contact resistance	Dimensions (W×D×H) (mm)	Water-proof	Dust-proof	Automotive	Drawing No.
SKPRAAE010	Top push	5.0	1.0	100,000	100mΩ max.	7.5×7.8×6.5	—	—	●	1

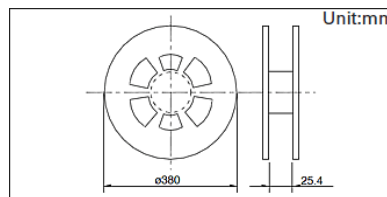
Note

1. This catalog shows only outline specifications. When using the products, please obtain formal specifications for supply.
2. Please place purchase orders for taping products per minimum order unit (1 reel or a case).

Packing Specifications

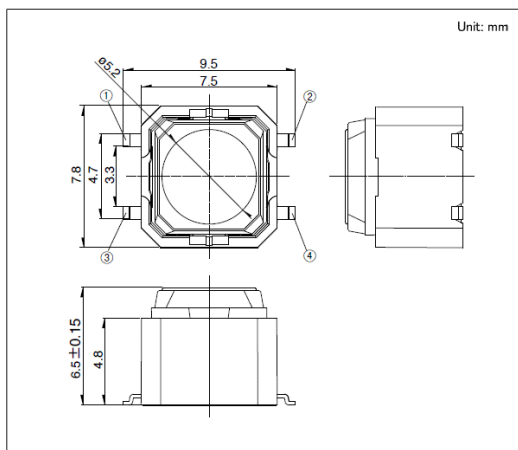
Taping

Number of packages (pcs.)			Tape width (mm)	Export package measurements (mm)
1 reel	1 case / Japan	1 case / export packing		
1,050	6,300	6,300	24	395 x 395 x 205

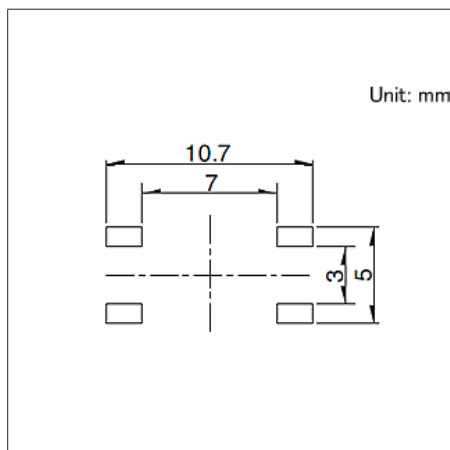


Drawing No. 1

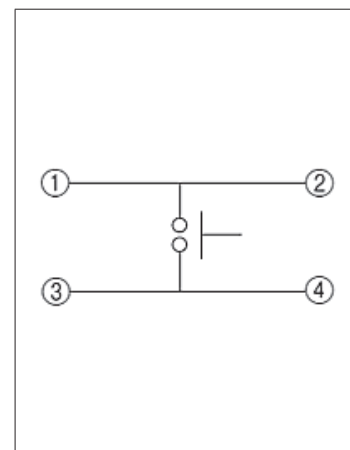
Dimensions



Land Dimensions




Circuit Diagram



Viewed from switch mounting face

Radial Type

List of Varieties

Series		SKRC
Photo		
Operation feeling		Sharp feeling
Water-proof		●
Dust-proof		●
IP standard		In the coated state
Operating direction	Top push	●
	Side push	—
Ground terminal		—
Dimensions (mm)		φ9mm×13
Operating force (N)		1.57 2.55
Travel (mm)		0.25
Operating temperature range		-30°C to +85°C
Electrical performance	Rating (max.)	50mA 12V DC
	Rating (min.)	10μA 1V DC
	Insulation resistance	100MΩ min. 100V DC 1min.
	Voltage proof	250V AC 1 min.
Environmental performance	Cold	-40°C 96h
	Dry heat	90°C 96h
	Damp heat	60°C, 90 to 95%RH 1,000h
Automotive		—

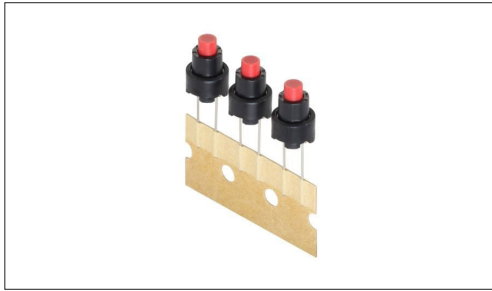
Note

● Indicates applicability to all products in the series, while ○ indicates applicability to some products in the series.

TACT Switch™ Radial Type

9.0mm Diameter (Radial) SKRC Series

Round terminal design with excellent mountability, achieving water-proof and dust-proof performance.



Water-proof Type

Dust-proof Type

- Series type: Sharp feeling type
- Rating (max.): 50mA 12V DC
- Rating (min.): 10μA 1V DC

Applications: Energy_Industrial: Industrial equipment
Home: Major home appliances

■ Product List

Products No.	Operating direction	Operating force (N)	Travel (mm)	Operating life (cycles)	Initial contact resistance	Dimensions (W×D×H) (mm)	Water-proof	Dust-proof	Water-proof & Dust-proof	Automotive	Drawing No.
SKRCACD010	Top push	1.57	0.25	100,000	500mΩ max.	φ9mm×13	●	●	In the coated state	—	1
SKRCADD010	Top push	2.55	0.25	100,000	500mΩ max.	φ9mm×13	●	●	In the coated state	—	

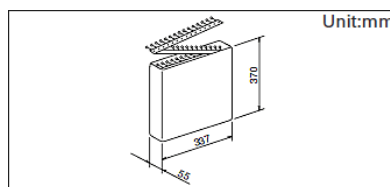
Note

1. This catalog shows only outline specifications. When using the products, please obtain formal specifications for supply.
2. When the switch is used in an environment subject to high humidity or condensation, make sure the terminals are coated thoroughly to prevent current leakage between terminals.
3. Avoid using coating material coating toluene or xylene. For more information on coating material, please contact us.
4. Switch terminals must be coated thoroughly until the terminals are fully covered.
5. For more information on coating material, please contact us.
6. Please use 1.6mm thick PC boards.
7. Please place purchase orders for taping products per minimum order unit (1 box or a case).

■ Packing Specifications

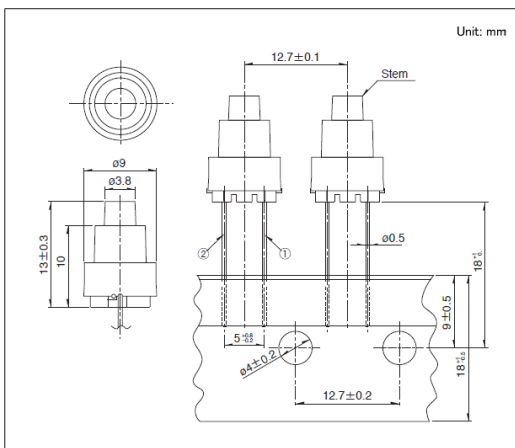
Radial taping

Number of packages (pcs.)			Export package measurements (mm)
1 box	1 case / Japan	1 case / export packing	
900	9,000	9,000	353×764×309

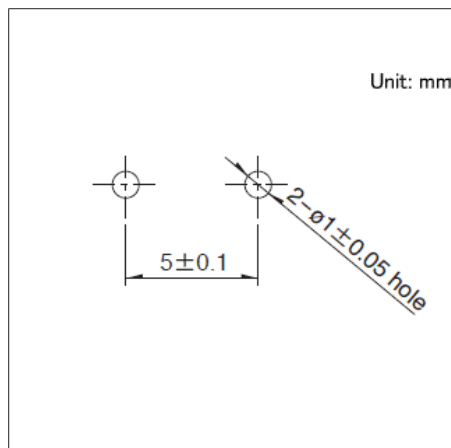


Drawing No.1

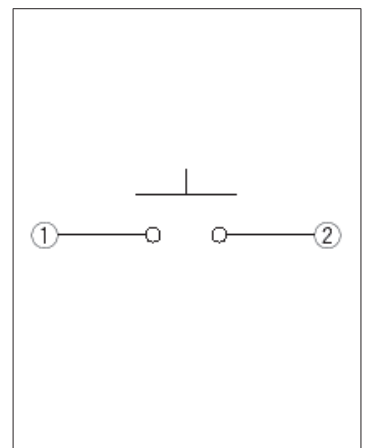
■ Dimensions



■ Mounting Hole Dimensions



■ Circuit Diagram

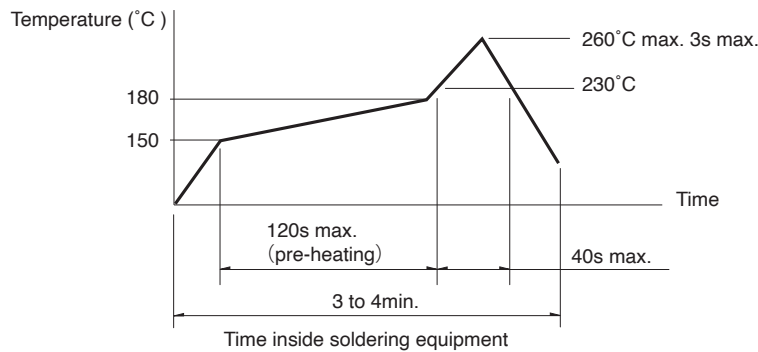


Viewed from mounting face.

TACT Switch™ / Soldering Conditions

■ Condition for Reflow

Available for Surface Mount Type.
Temperature profile



⚠ Note

1. Please confirm the specifications of our product for the detailed condition.
2. Soldering conditions differ depending on reflow soldering machines.
Prior verification of soldering condition is highly recommended.
3. Allowable soldering time : 2 times Max. The second soldering should be done after the switch is stable with normal temperature.

■ Conditions for Auto-dip

Available for Snap-in Type and Radial Type.

Items	Condition
Flux built-up	Mounting surface should not be exposed to flux
Preheating temperature	Ambient temperature of the soldered surface of PC board. 100°C max.
Preheating time	60s max.
Soldering temperature	260°C max.
Duration of immersion	5s max.
Number of soldering	2times max.

SKHH Series

Items	Condition
Flux built-up	Mounting surface should not be exposed to flux
Preheating temperature	Ambient temperature of the soldered surface of PC board. 110°C max.
Preheating time	60s max.
Soldering temperature	260°C max.
Duration of immersion	5s max.
Number of soldering	2times max.

SKHLTop Push Type, SKQJ Series

Items	Condition
Flux built-up	Mounting surface should not be exposed to flux
Preheating temperature	Ambient temperature of the soldered surface of PC board. 100°C max.
Preheating time	45s max.
Soldering temperature	255°C max.
Duration of immersion	5s max.
Number of soldering	2times max.

⚠ Note

1. Prevent flux penetration from the top side of the TACT Switch™.
2. Switch terminals and a PC board should not be coated with flux prior to soldering.
3. The second soldering should be done after the switch is stable with normal temperature.
4. Use the flux with a specific gravity of min 0.81.
(EC-19S-8 by TAMURA CORPORATION, or equivalents.)

■ Manual Soldering

Items

Items	Condition
Soldering temperature	350°Cmax.
Duration of soldering	3s max.
Capacity of soldering iron	60W max.

SKHH, SKHW Series

Items	Condition
Soldering temperature	360°Cmax.
Duration of soldering	3s max.
Capacity of soldering iron	60W max.

SKTD, SKQJ, SKSN Series

Items	Condition
Soldering temperature	350°Cmax.
Duration of soldering	3s max.
Capacity of soldering iron	20W max.

TACT Switch™ / Cautions

1. When terminals are exposed to mechanical stress during soldering, it may cause degradation in deformation and electrical property.
2. Through-hole PC board, or a PC board thickness other than the recommendation may cause larger heat stress. Prior verification is highly recommended.
3. In prior to the 2nd soldering switch shall be stable with normal temperature. It may cause deformation of switch, loose terminals, terminal removed from PC board, and / or degradation of electric property.
4. Verify samples with actual mass production conditions.
5. After soldering, do not wash switches with a solvent, etc.
6. The products are designed and manufactured for direct current resistance. Individual consultation is recommended for use of other resistances such as inductive (L) or capacitive (C).
7. The sizes of holes and patterns on a PC board for mounting a switch, be as per the recommended dimensions in the product drawings.
8. This switch is designed for manually operated units. Must not use this switch for a mechanical detection unit. For detection purposes, please use our detection switch.
9. The switch will be broken if impact force or a greater stress than that specified is applied. Take great care not to let the switch be subject to greater stress than specified.
10. Do not apply a force from the side of the stem.
11. Be sure to push the center of switch for "without-stem" type. Extreme care is required for a hinge structure type, as the activation point may shift when it is pressed down.
12. The circuit setting (software setting) shall be ensured for error-free operations, caused by bounce and chattering as specified by each model of the switches.
13. Prior verification is needed to ensure that no corrosive gas-generating components are used near our switch. It may give negative influence such as contact failure.
14. Contact resistance of a carbon contact type may vary depending on push force. Confirm that it functions sufficiently in using TACT Switch™ with a voltage divider circuit.
15. Be aware of dust intrusion into a non dust-proof TACT switch™.
16. Storage
 1. Store the products as delivered, at a normal temperature and humidity, without direct sunshine and corrosive gas ambient. Use them at an earliest possible timing, not later than six months upon receipt.
 2. After breaking the seal, keep the products in a plastic bag to prevent out ambient air, store them in the same environment as above, and use all as soon as possible.
 3. Do not stack too many switches.
 4. Store the key switches in released position.
17. TACT Switch is a trademark or registered trademark of Alps Alpine Co., Ltd.